

THE UNDERSIGNED CERTIFIES THAT THIS PLAN IS ACCURATE AND COMPLIES WITH THE PROVISIONS OF THE CODE OF VIRGINIA SECTION 55-79.58 (b) AND ALL UNITS DEPICTED HEREON HAVE BEEN SUBSTANTIALLY COMPLETED.

SIGNED: C. Pittman DATE: 10/23/2001
C.L. PITTMAN, P.E.

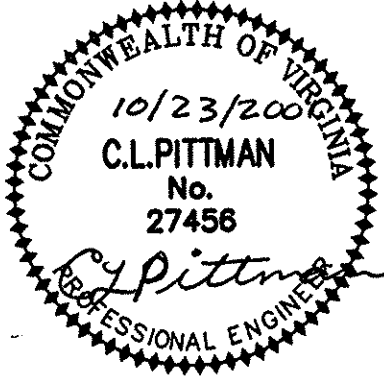
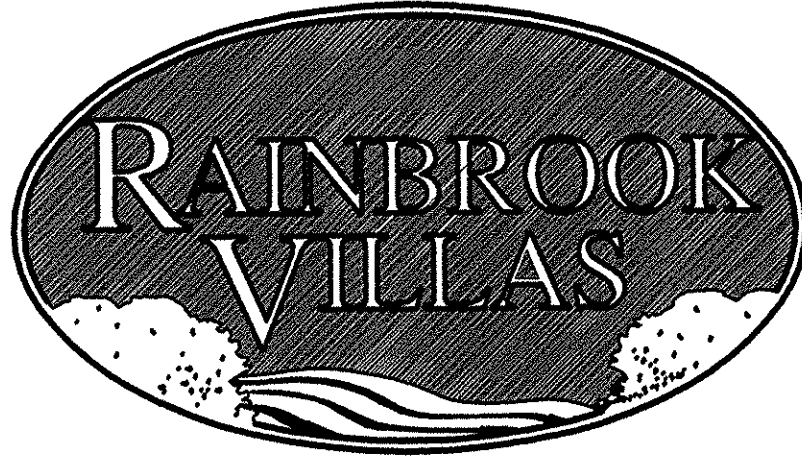
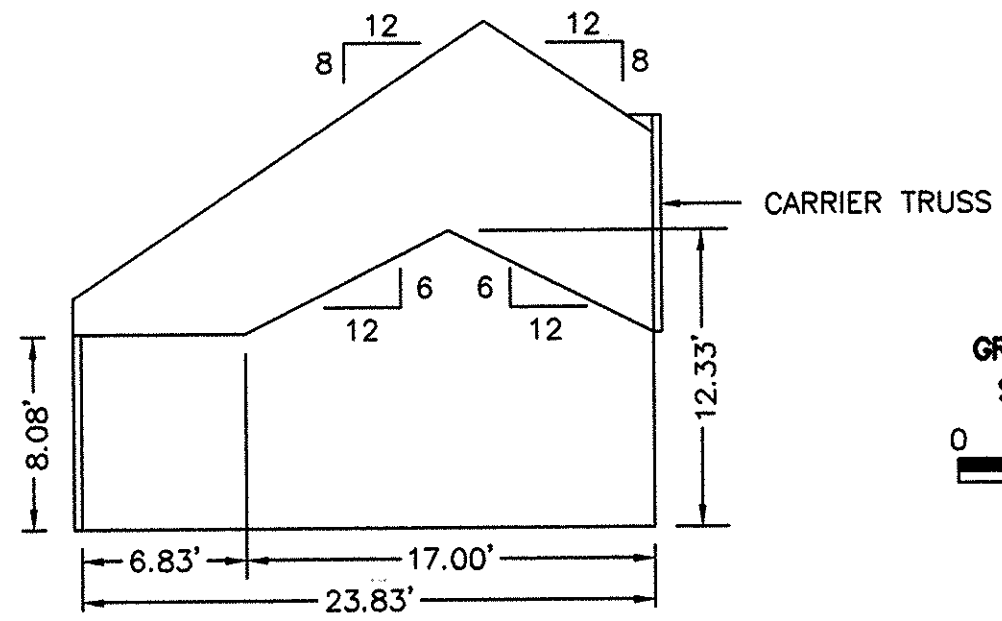


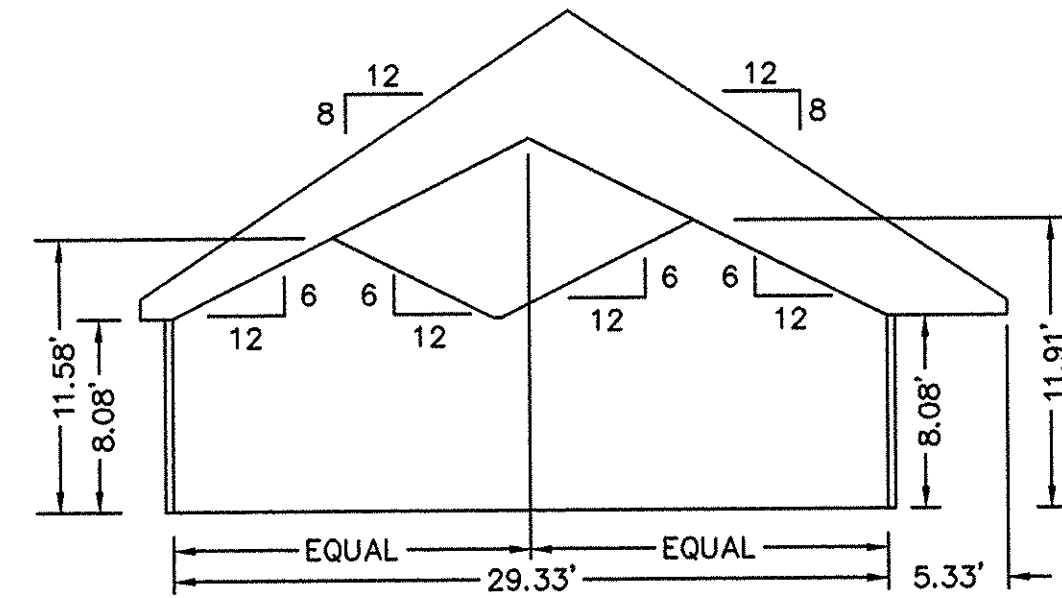
EXHIBIT "D"
PLAT OF
RAINBROOK VILLAS
A CONDOMINIUM
PHASE XI
SHEET 2 OF 5

GRAFTON DISTRICT - COUNTY OF YORK, VIRGINIA
SCALE: 1/8" = 1'-0" SEPTEMBER 7, 2001
0 4 8 16 24 36 FEET
GRAPHIC SCALE

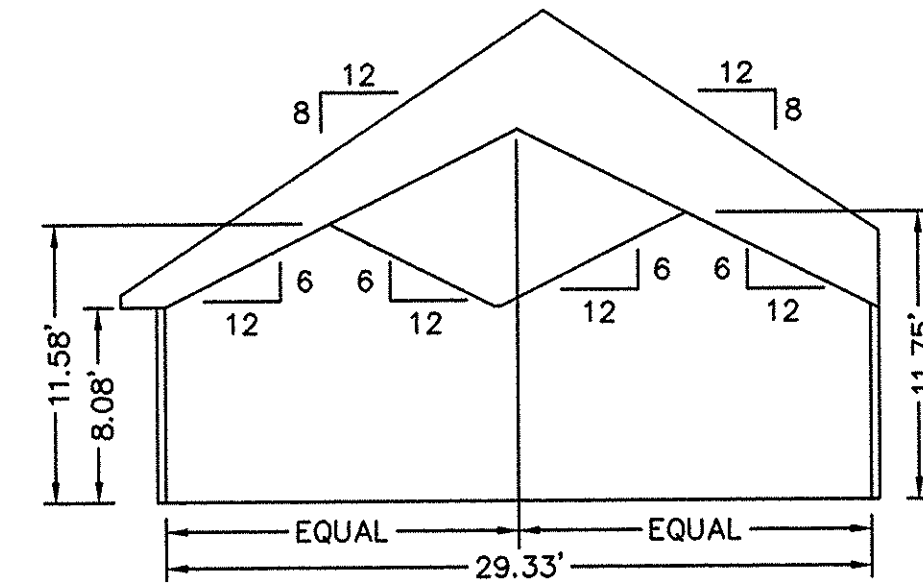
THE SIRINE GROUP, LTD.
SURVEYORS • ENGINEERS • PLANNERS
4794 GEORGE WASHINGTON MEMORIAL HIGHWAY
U.S. ROUTE 17
P.O. BOX 450
WHITE MARSH, VIRGINIA 23183



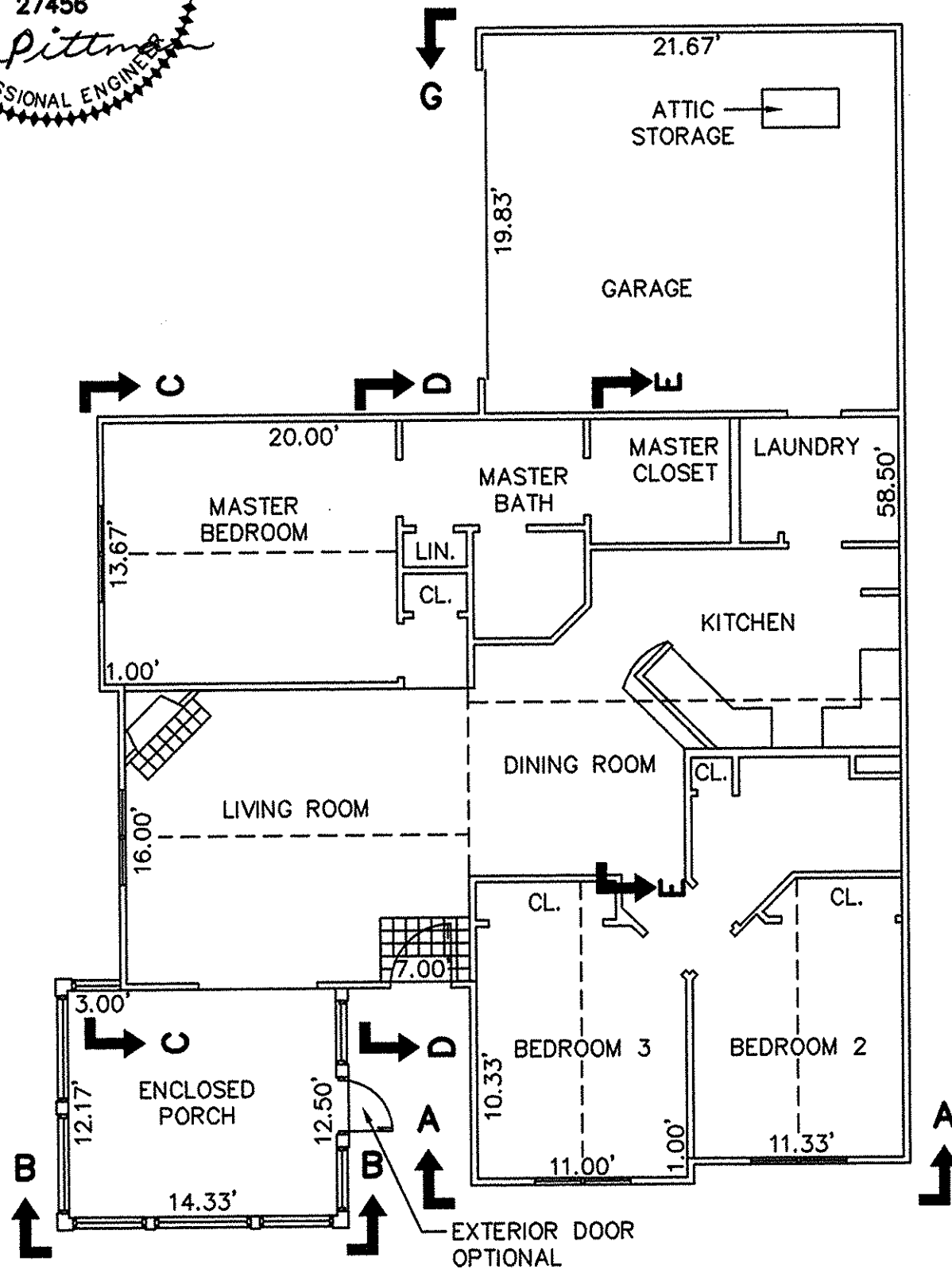
SECTION E-E



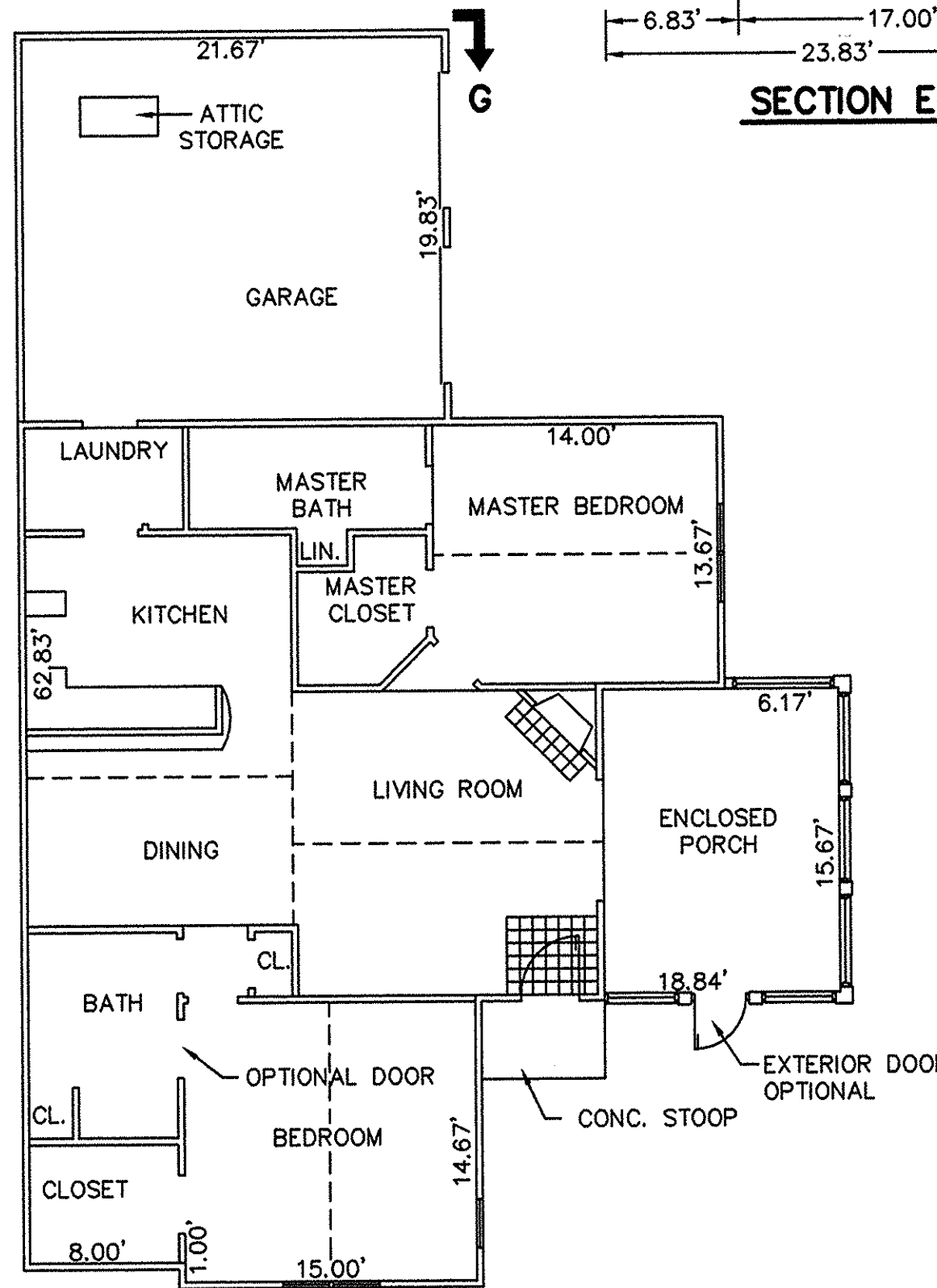
SECTION D-D



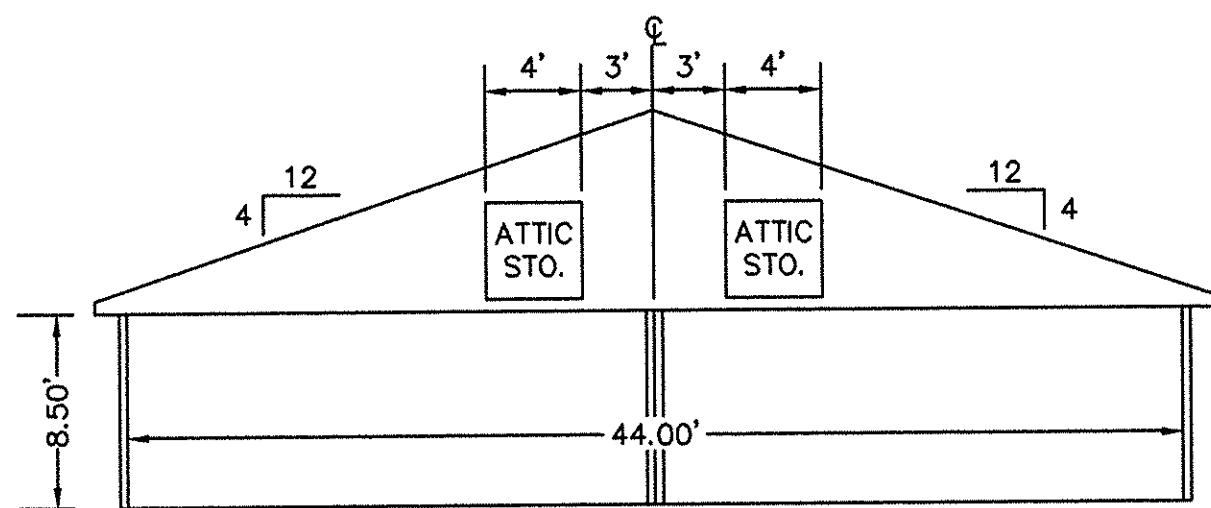
SECTION C-C



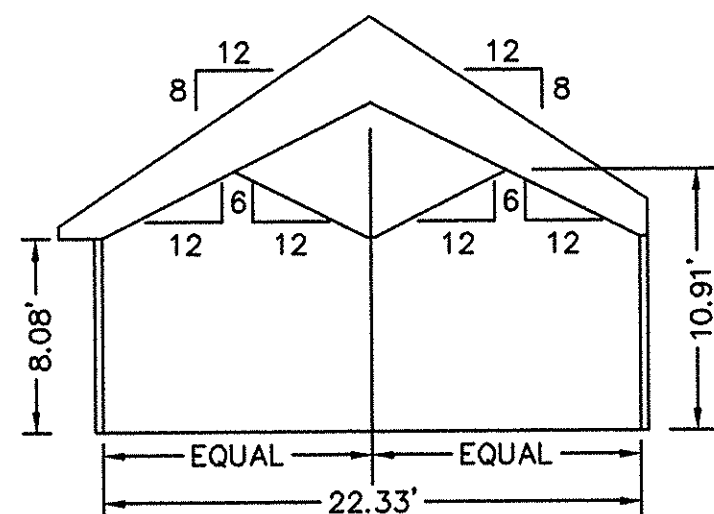
BUILDING 24-2 & 24-4 - CANTERBURY
FLOOR PLAN
W/ ENCLOSED PORCH



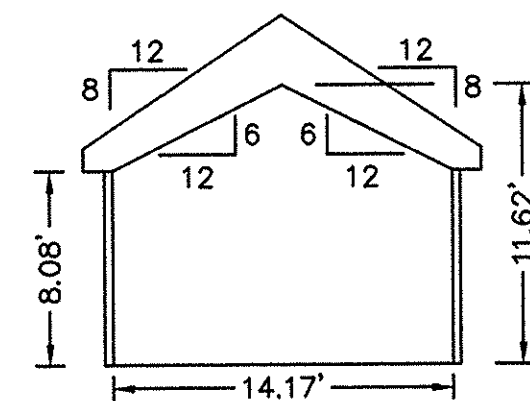
BUILDING 24-1 & 24-3 - ABBEY
FLOOR PLAN
W/ ENCLOSED PORCH



SECTION G-G
GARAGE



SECTION A-A



SECTION B-B
ENCLOSED PORCH

APPROVED:
YORK COUNTY BOARD OF SUPERVISORS

BY: Al Maddalena

DATE: 10/24/01

NOTES:
1. ALL BUILDING DIMENSIONS SHOWN HEREON ARE INTERIOR DIMENSIONS AND ARE IN FEET.

STATE OF VIRGINIA
COUNTY OF YORK

IN THE CLERK'S OFFICE OF THE CIRCUIT COURT FOR THE COUNTY OF YORK THE 24 DAY OF October, 2001, THIS PLAT WAS PRESENTED AND ADMITTED TO RECORD AS THE LAW DIRECTS IN PLAT BOOK _____, PAGE _____.

TESTE: Lynn S. Jenkins
CLERK

BY: Natalie C. Duens

2:19pm