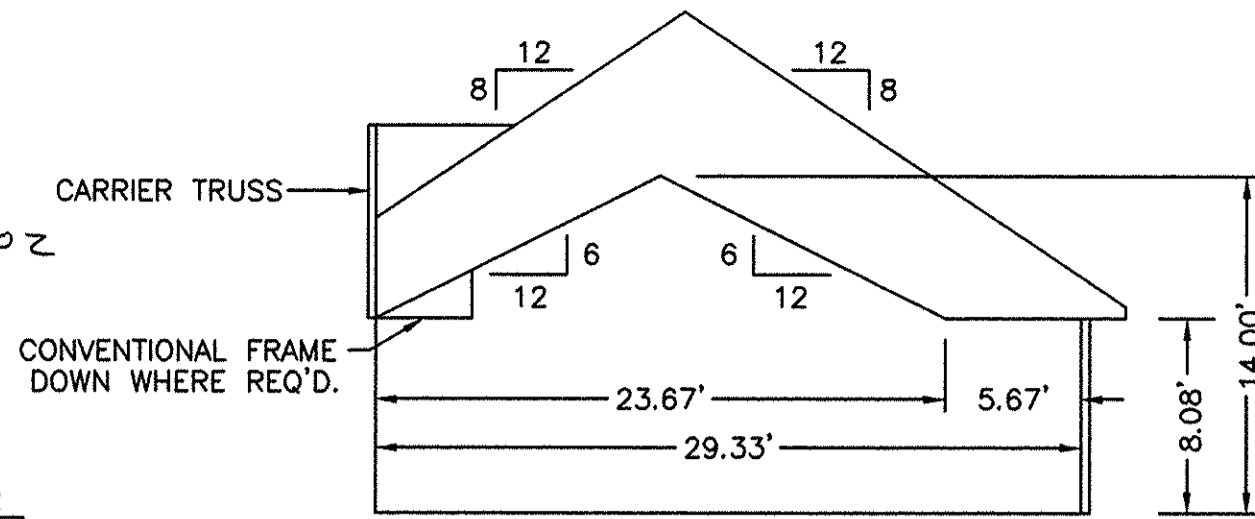
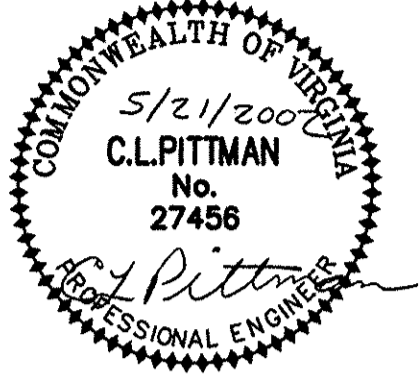
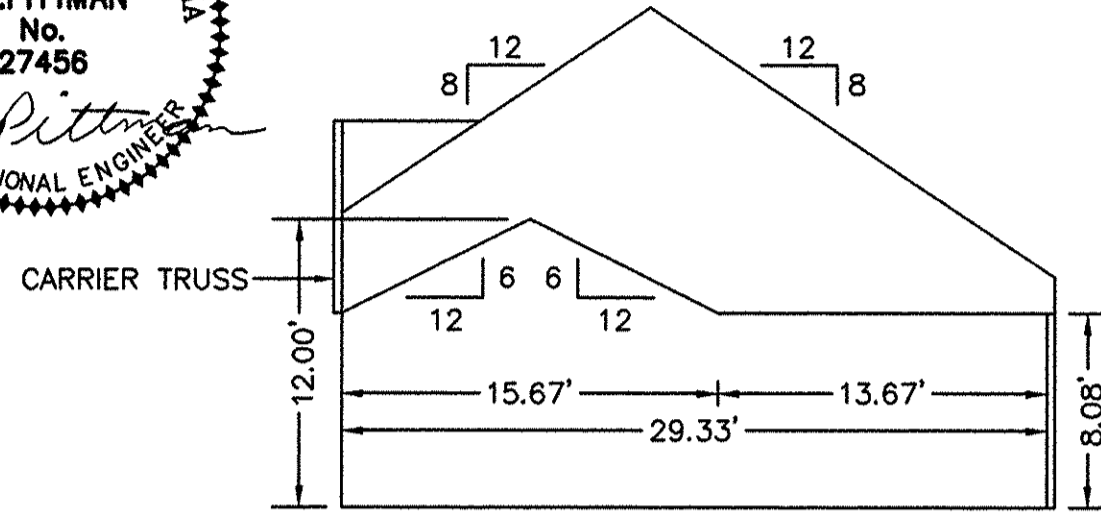


THE UNDERSIGNED CERTIFIES THAT THIS PLAN IS ACCURATE AND COMPLIES WITH THE PROVISIONS OF THE CODE OF VIRGINIA SECTION 55-79.58 (b) AND ALL UNITS DEPICTED HEREON HAVE BEEN SUBSTANTIALLY COMPLETED.

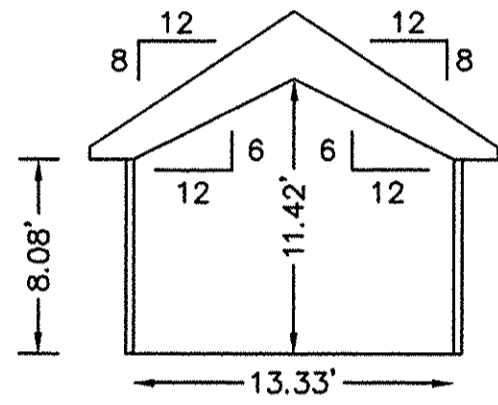
SIGNED: C.L. Pittman DATE: 5/21/2002
C.L. PITTMAN, P.E.



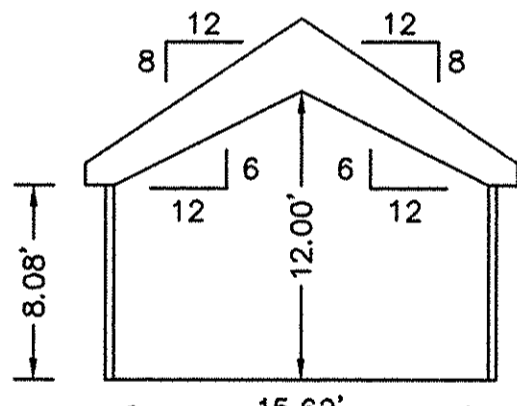
SECTION F-F



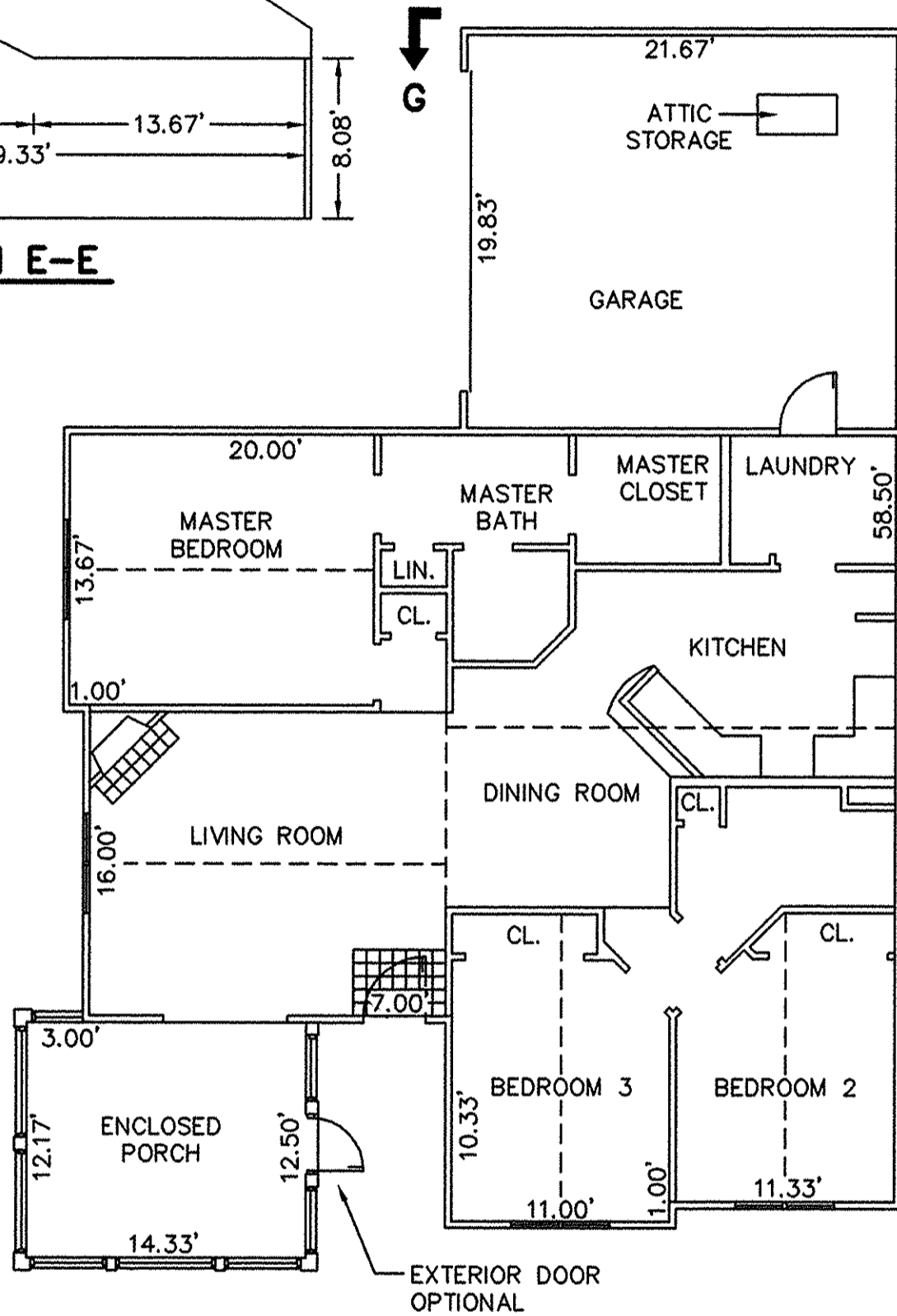
SECTION E-E



SECTION C-C

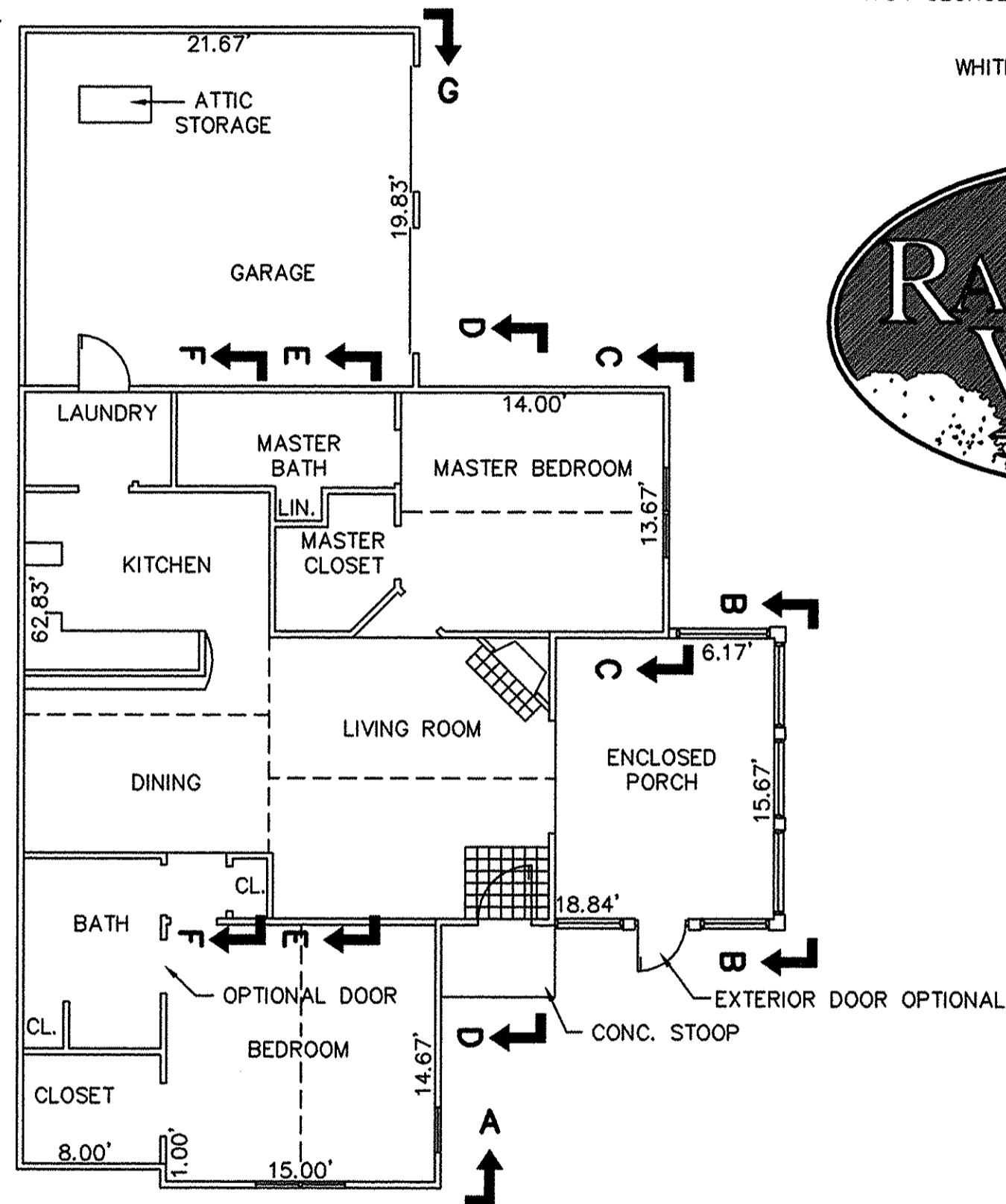


SECTION B-B
ENCLOSED PORCH



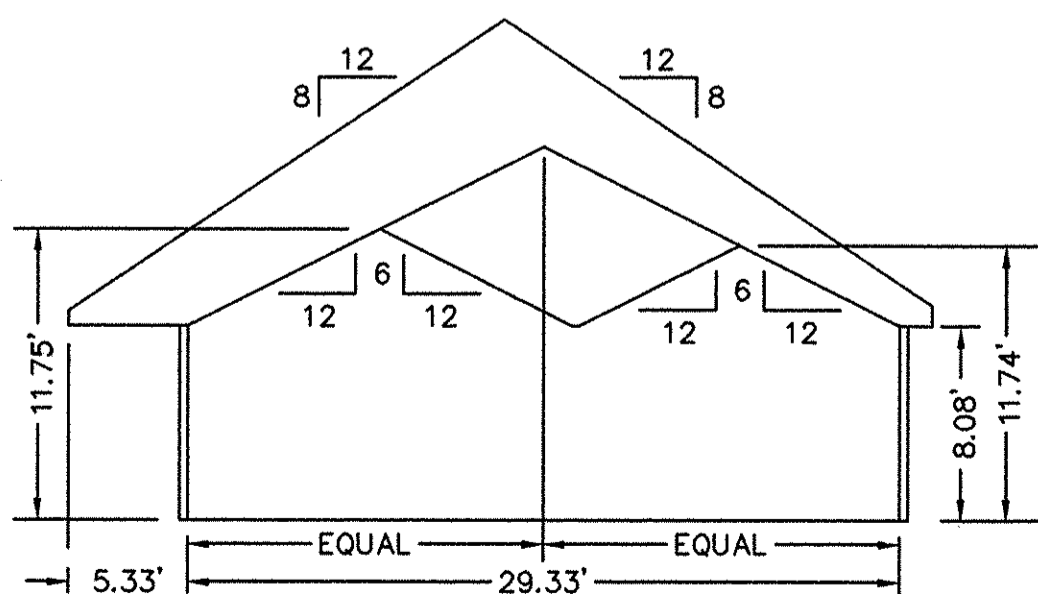
BUILDING 6-1 & 6-3 - CANTERBURY

FLOOR PLAN
W/ ENCLOSED PORCH

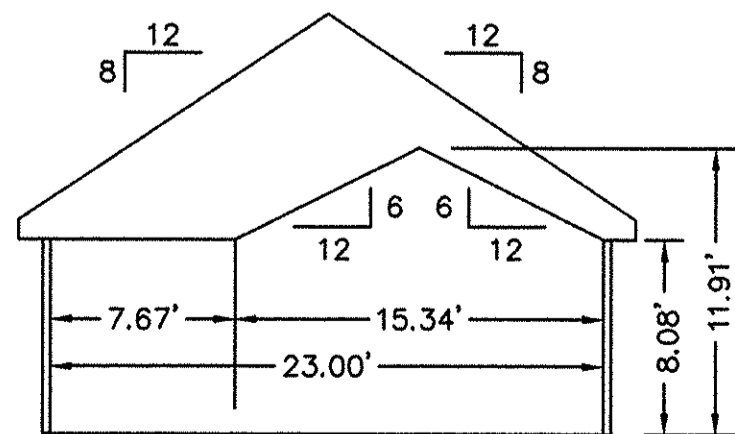


BUILDING 6-2 & 6-4 - ABBEY

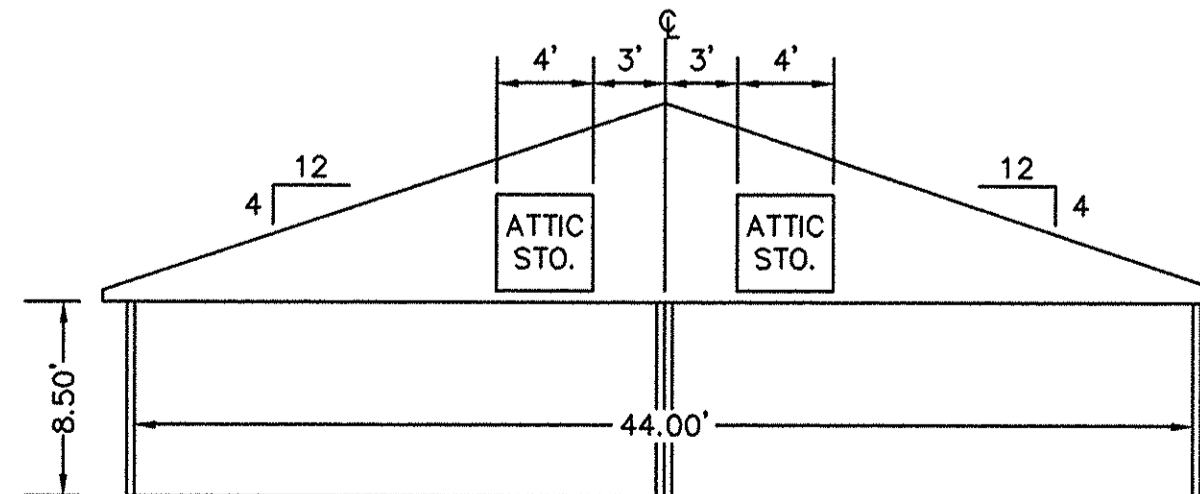
FLOOR PLAN
W/ ENCLOSED PORCH



SECTION D-D



SECTION A-A

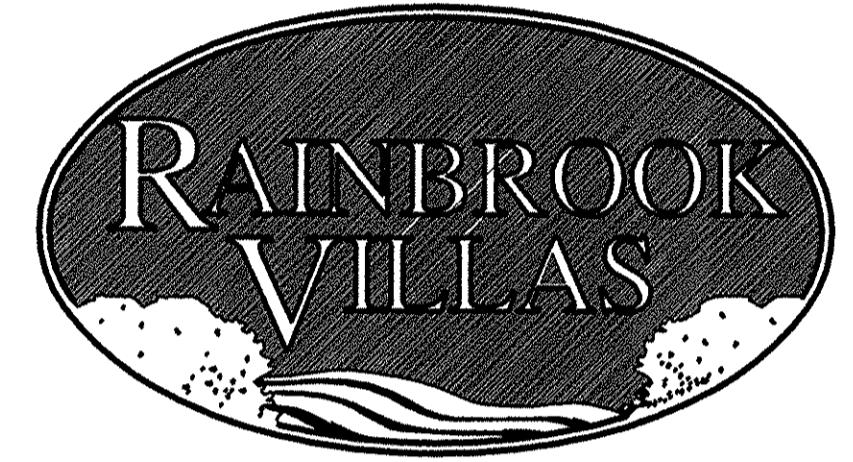


SECTION G-G
GARAGE



EXHIBIT "D"
PLAT OF
RAINBROOK VILLAS
A CONDOMINIUM
PHASE XV
SHEET 4 OF 4
GRAFTON DISTRICT - COUNTY OF YORK, VIRGINIA
SCALE: 1/8" = 1'-0" APRIL 17, 2002
0 4 8 16 24 36 FEET
GRAPHIC SCALE

THE SIRINE GROUP, LTD.
SURVEYORS • ENGINEERS • PLANNERS
4794 GEORGE WASHINGTON MEMORIAL HIGHWAY
U.S. ROUTE 17
P.O. BOX 450
WHITE MARSH, VIRGINIA 23183



APPROVED:
YORK COUNTY BOARD OF SUPERVISORS

BY: Al. Maddalena

DATE: 5/23/02

NOTES:
1. ALL BUILDING DIMENSIONS SHOWN HEREON ARE INTERIOR DIMENSIONS AND ARE IN FEET.

STATE OF VIRGINIA
COUNTY OF YORK

IN THE CLERK'S OFFICE OF THE CIRCUIT COURT FOR THE COUNTY OF YORK THE 23rd DAY OF May, 2002, THIS PLAT WAS PRESENTED AND ADMITTED TO RECORD AS THE LAW DIRECTS AS INSTRUMENT NUMBER 020009167

1:00 p.m.
TESTE: Lynn S. Jenkins
CLERK

BY: Susan Q. Randall D.C.