

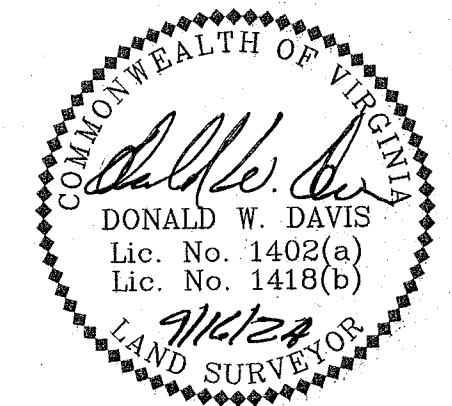
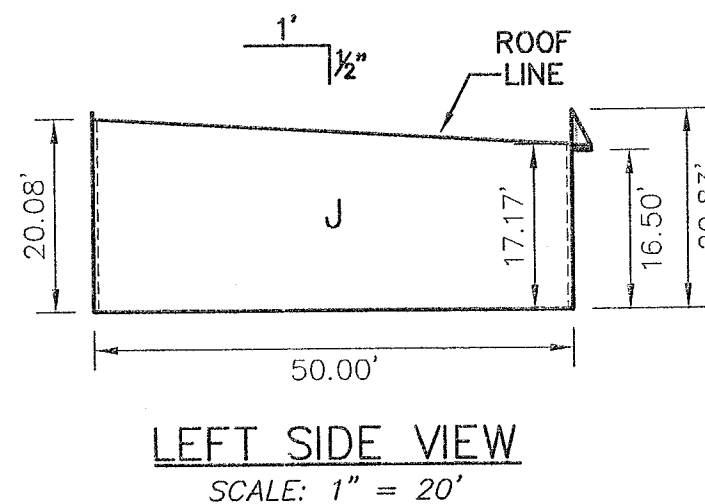
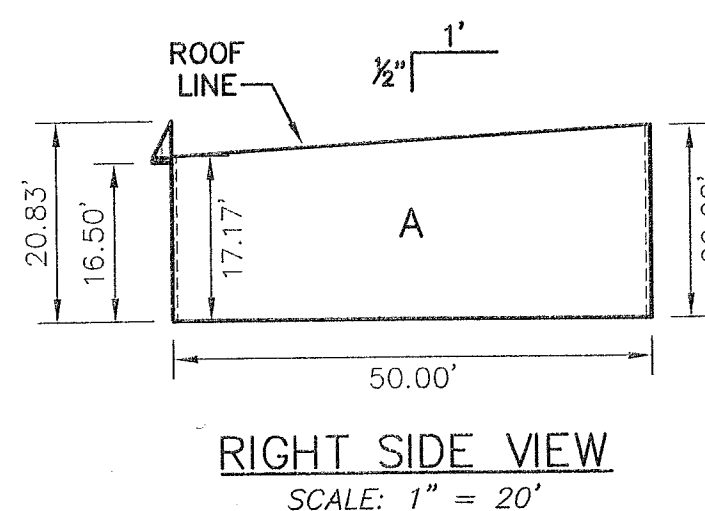
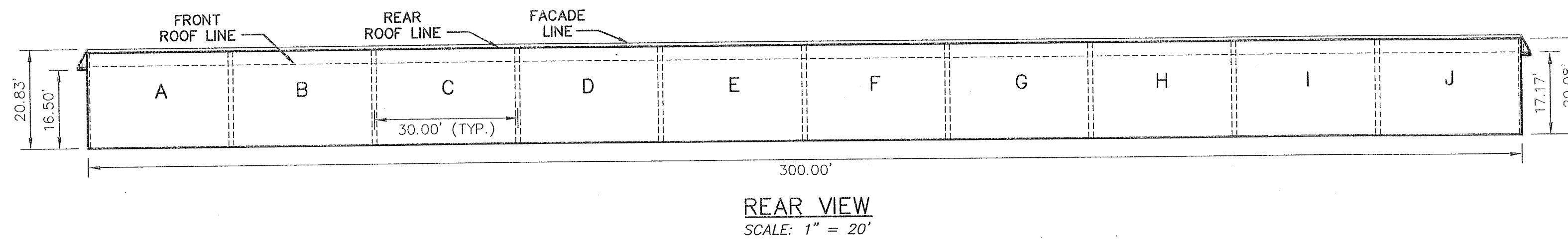
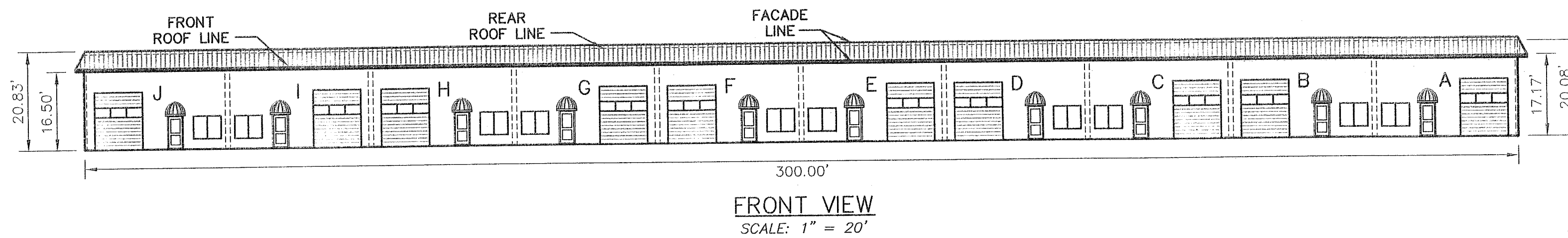
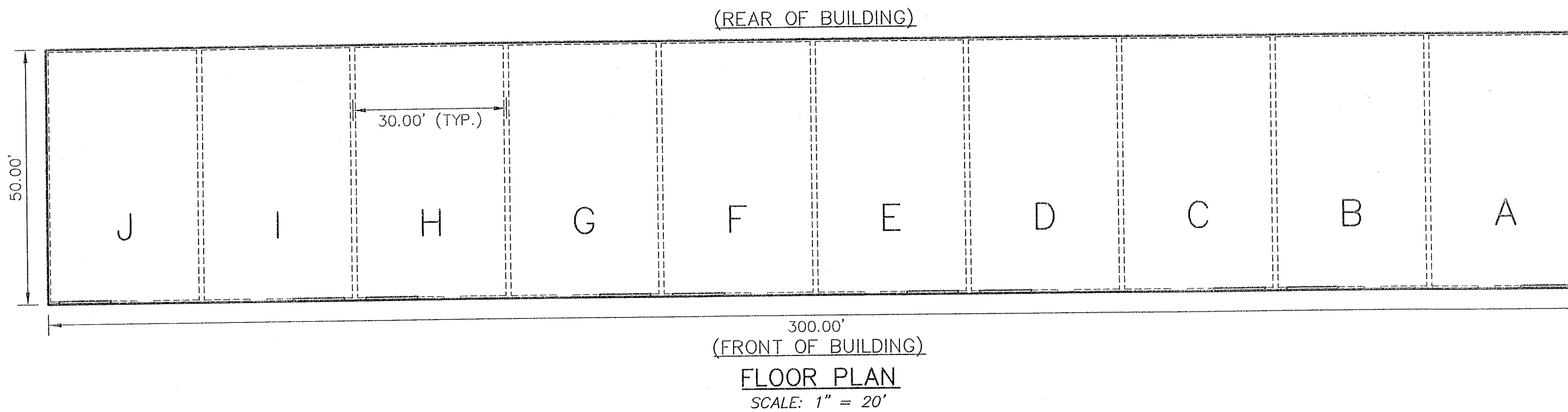
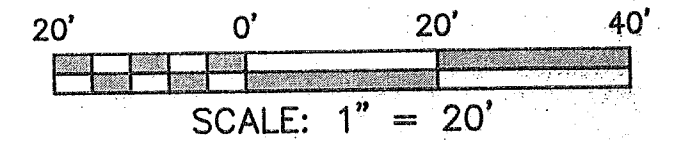
CONDOMINIUM PLAT
 PHASE 7 – BUILDING #324
YORKTOWN
COMMERCE CENTER
 FOR BOCA FUTURES, LLC

PHASE 7 – BUILDING #324
 15,000 SQ. FT. (0.3444 AC.)

NELSON MAGISTERIAL DISTRICT
 COUNTY OF YORK, VIRGINIA

SCALE: 1" = 20' DATE: AUGUST 16, 2024
 SHEET 3 of 3

DAVIS & ASSOCIATES, P.C.
 LAND SURVEYORS AND PLANNERS
 3630 GEORGE WASHINGTON MEM. HWY. – SUITE "G"
 YORKTOWN, VIRGINIA 23693
 (757) 867-8583



APPROVED
 YORK COUNTY BOARD OF SUPERVISORS
 BY: Jason Kassel
 PLAT APPROVING AGENT
 DATE: SEPTEMBER 17, 2024

STATE OF VIRGINIA
 COUNTY OF YORK
 IN THE CLERKS OFFICE OF THE CIRCUIT COURT FOR
 THE COUNTY OF YORK-POQUOSON THE 17th DAY
 OF September, 2024, THIS PLAT WAS
 PRESENTED AND ADMITTED TO RECORD AS THE LAW
 DIRECTS AS INSTRUMENT NO. 240012606

TEST: Kristen N. Nelson
 CLERK
 BY: Frank ...