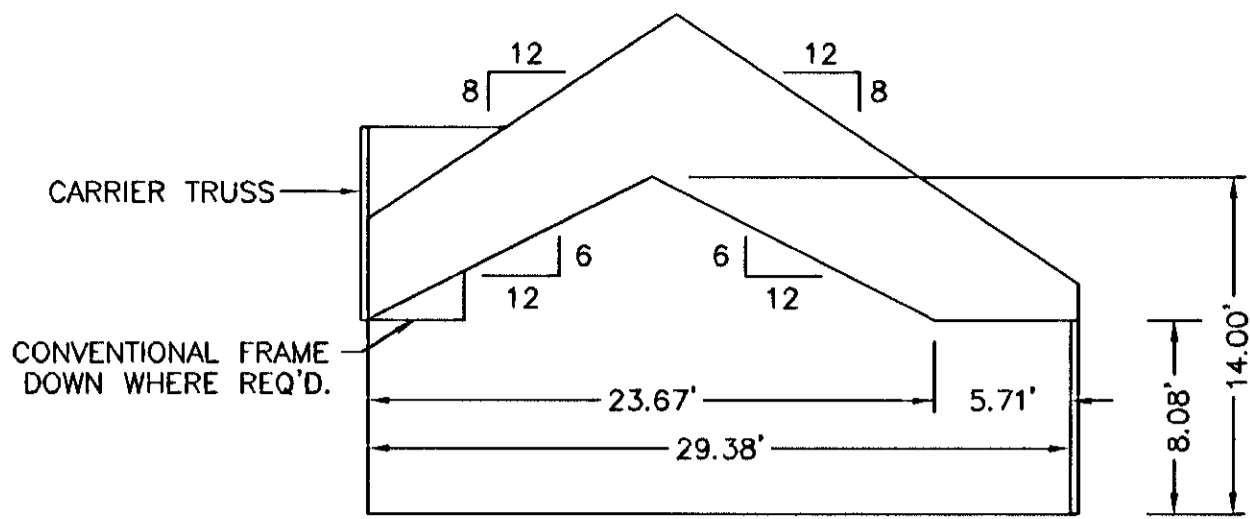
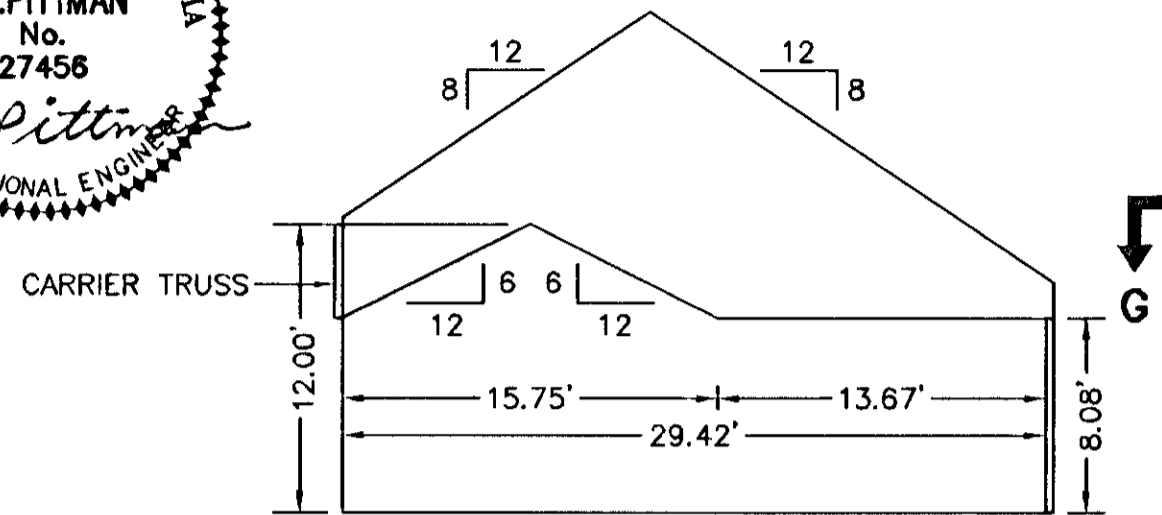
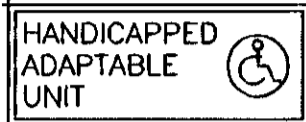


THE UNDERSIGNED CERTIFIES THAT THIS PLAN IS ACCURATE AND COMPLIES WITH THE PROVISIONS OF THE CODE OF VIRGINIA SECTION 55-79.58 (b) AND ALL UNITS DEPICTED HEREON HAVE BEEN SUBSTANTIALLY COMPLETED.

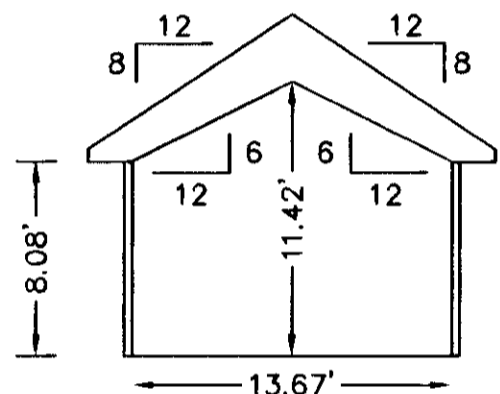
SIGNED: *C.L. Pittman* DATE: *4/1/2003*
C.L. PITTMAN, P.E.



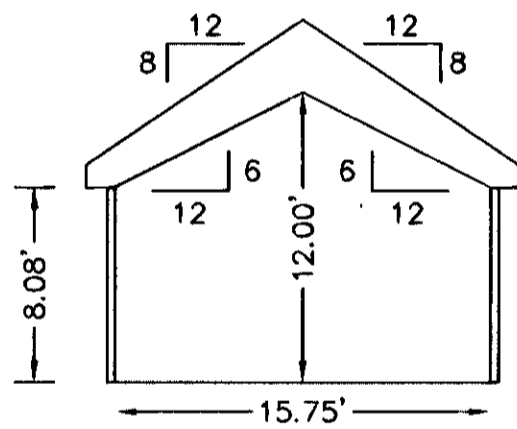
SECTION F-F



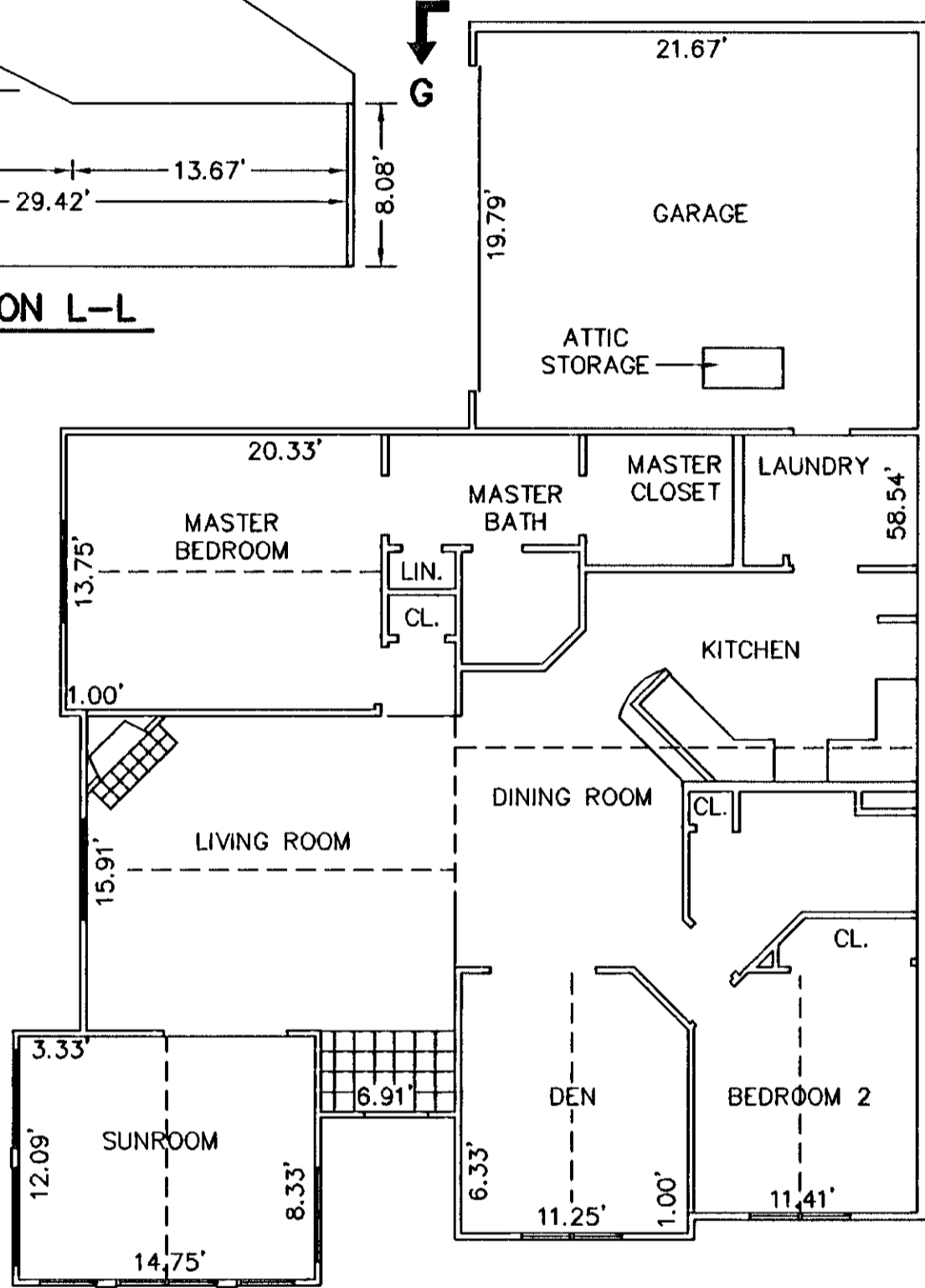
SECTION L-L



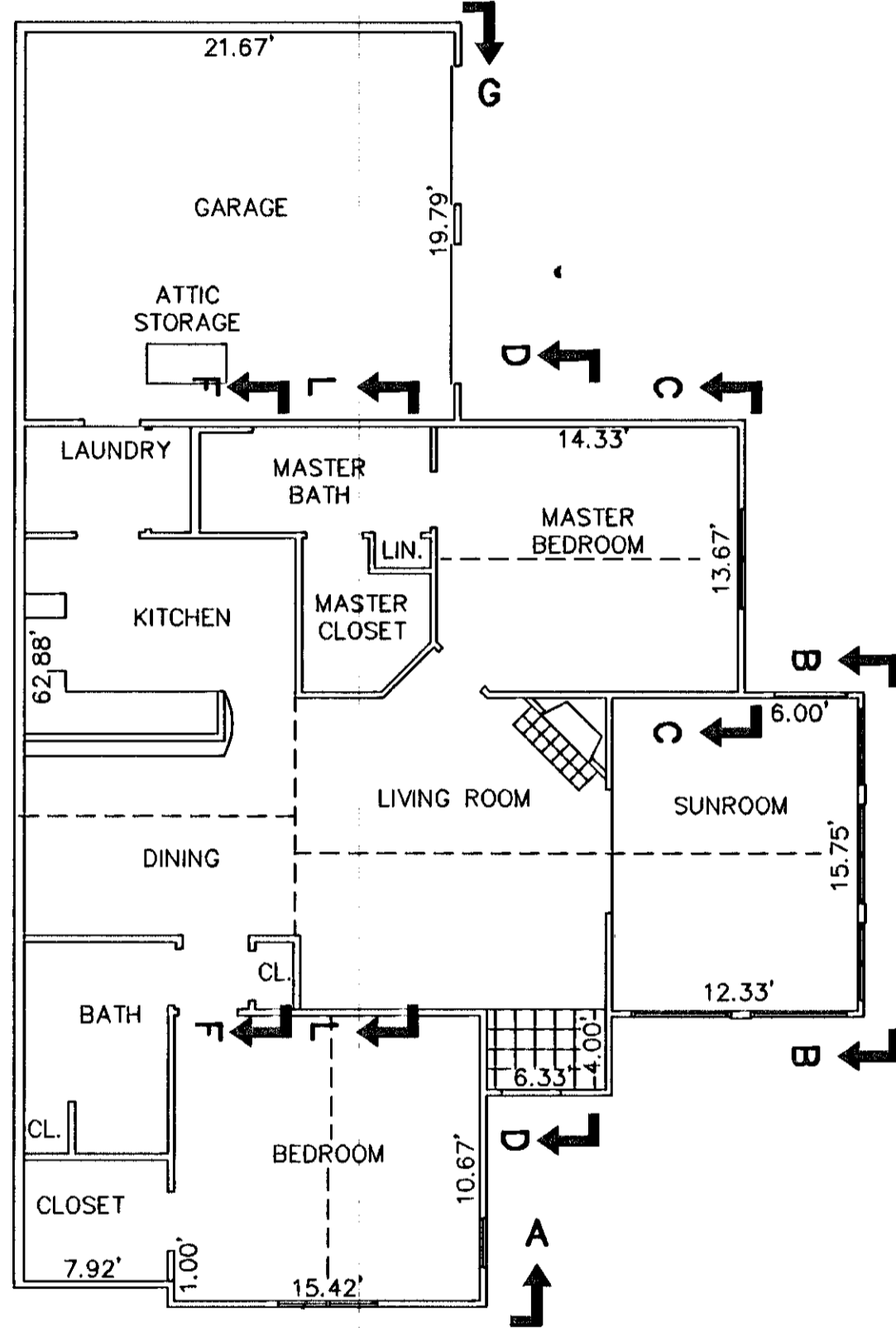
SECTION C-C



SECTION B-B



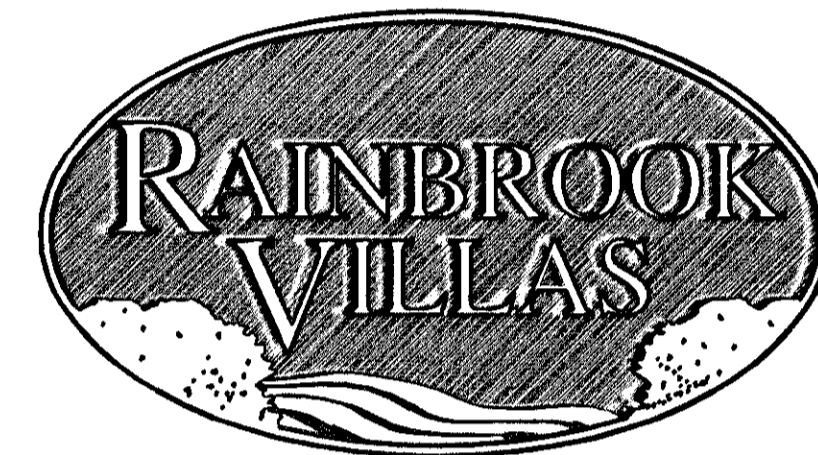
BUILDING 31-1 - CANTERBURY
FLOOR PLAN



BUILDING 31-2 & 31-4 - ABBEY
FLOOR PLAN

EXHIBIT "D"
PLAT OF
RAINBROOK VILLAS
A CONDOMINIUM
PHASE XIX
SHEET 4 OF 5
GRAFTON DISTRICT - COUNTY OF YORK, VIRGINIA
SCALE: 1/8" = 1'-0" MARCH 27, 2003
0 4 8 16 24 36 FEET
GRAPHIC SCALE

THE SIRINE GROUP, LTD.
SURVEYORS • ENGINEERS • PLANNERS
4794 GEORGE WASHINGTON MEMORIAL HIGHWAY
U.S. ROUTE 17
P.O. BOX 450
WHITE MARSH, VIRGINIA 23183



APPROVED:
YORK COUNTY BOARD OF SUPERVISORS

BY: *Al. Madalena*

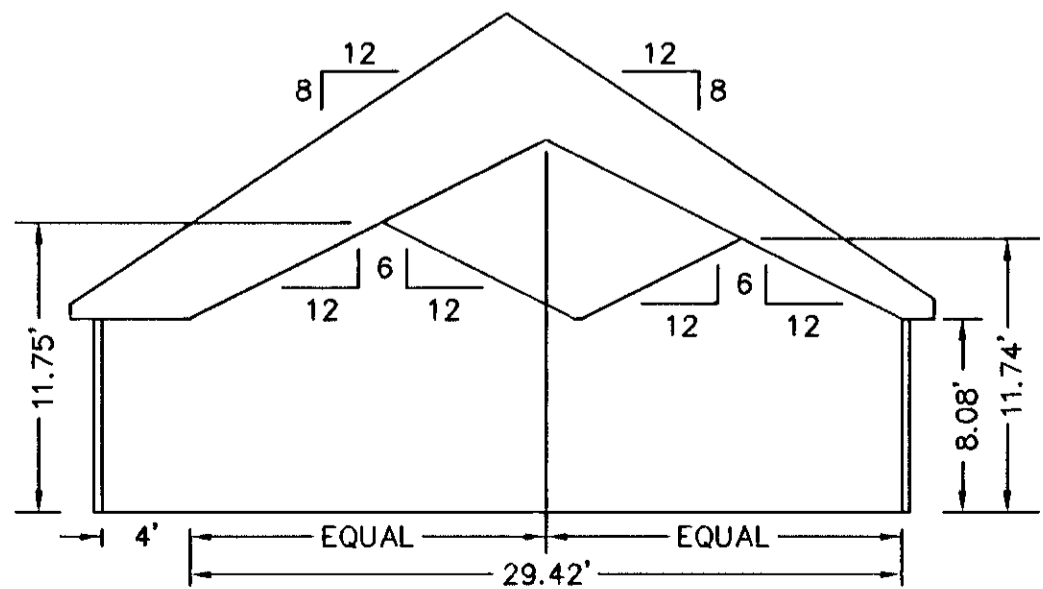
DATE: *4/4/03*

NOTES:
1. ALL BUILDING DIMENSIONS SHOWN HEREON ARE INTERIOR DIMENSIONS AND ARE IN FEET.

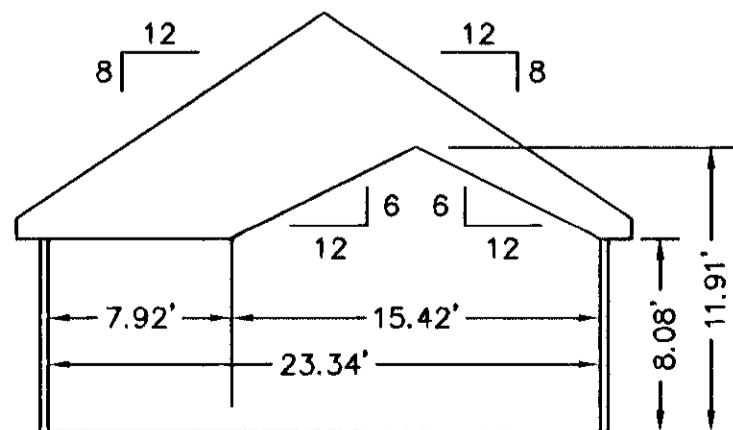
STATE OF VIRGINIA
COUNTY OF YORK

IN THE CLERK'S OFFICE OF THE CIRCUIT COURT FOR THE COUNTY OF YORK THE 9th DAY OF April, 2003, THIS PLAT WAS PRESENTED AND ADMITTED TO RECORD AS THE LAW DIRECTS AS INSTRUMENT NUMBER *030009388 10145 am*

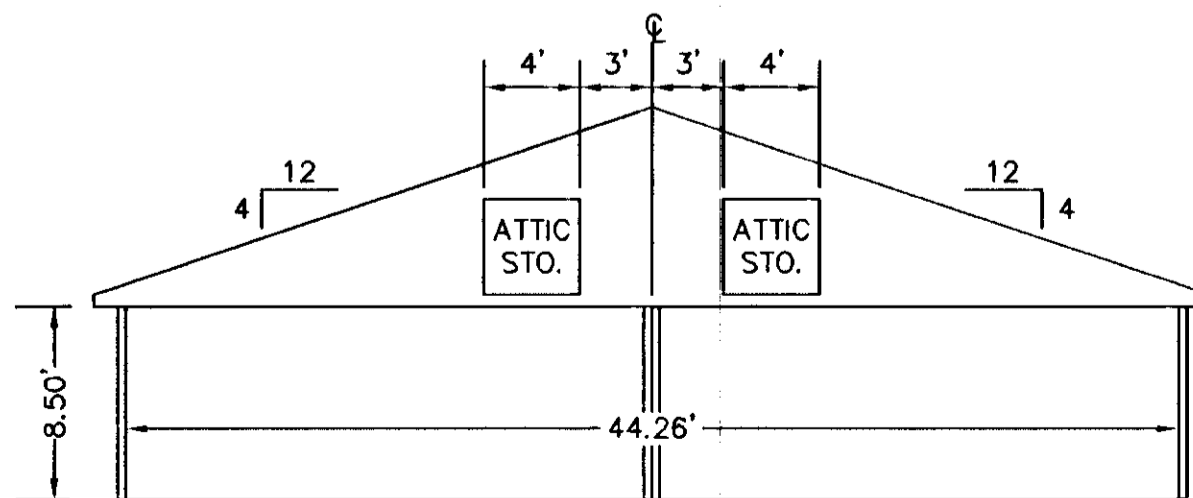
TESTE: *Lynn S. Jenkins*
CLERK
BY: *Sandra S. Hughes*



SECTION D-D



SECTION A-A



SECTION G-G
GARAGE