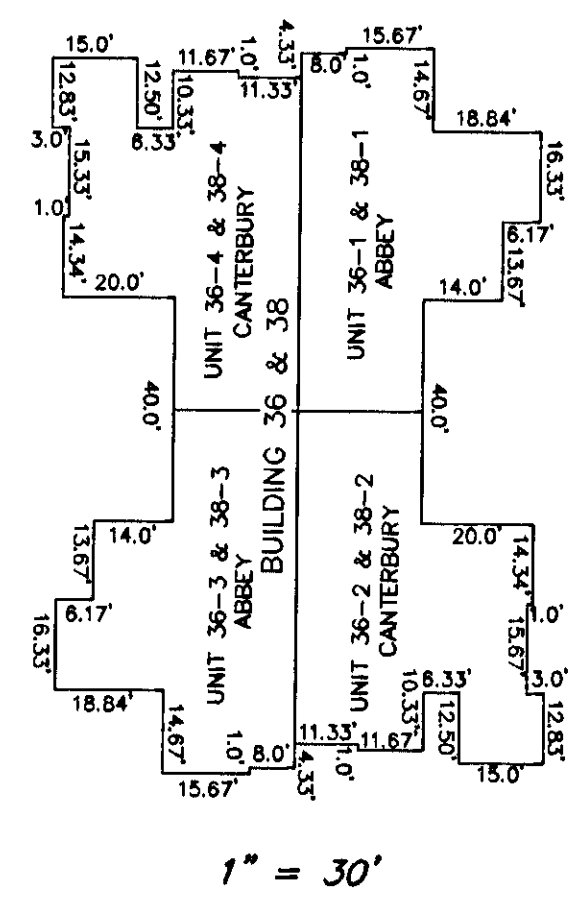
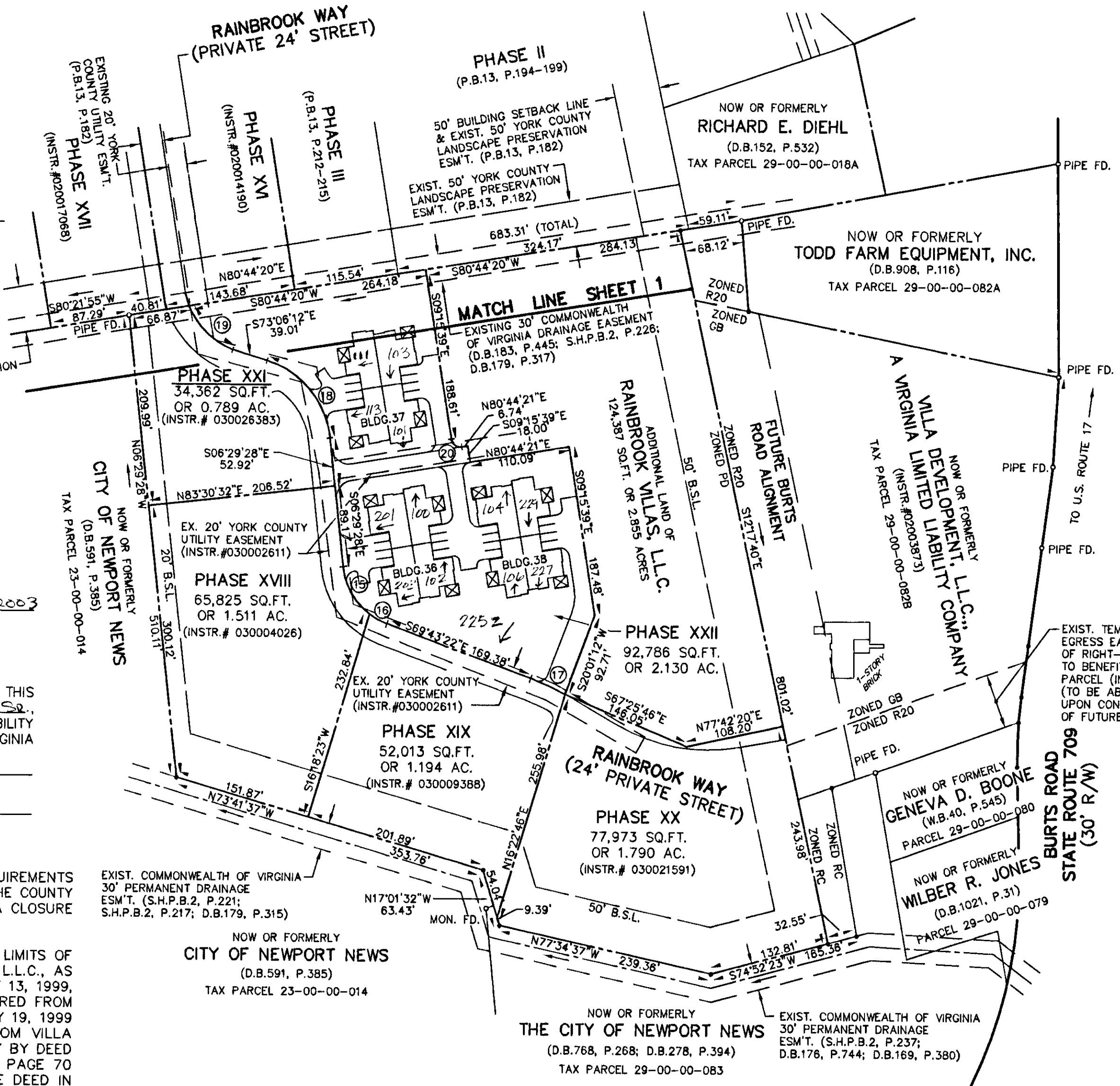
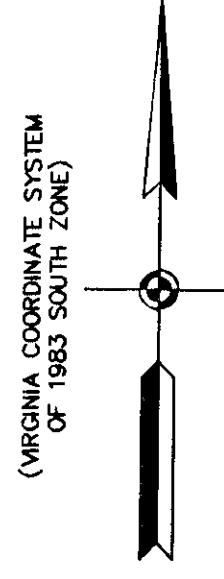
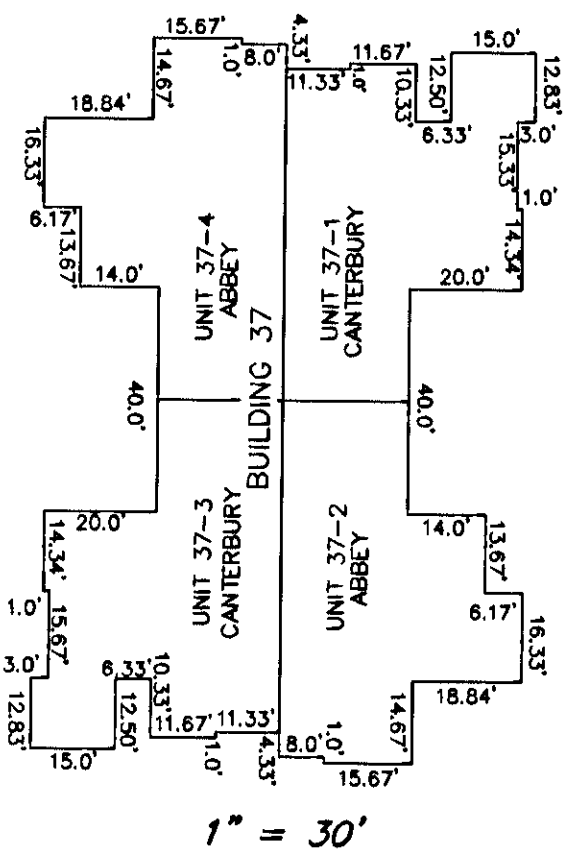


EXHIBIT "C"
PLAT OF
RAINBROOK VILLAS
A CONDOMINIUM
PHASE XXII (INSTR.# 020005988)
SHEET 2 OF 4

GRAFTON DISTRICT - COUNTY OF YORK, VIRGINIA
SCALE: 1" = 100' AUGUST 25, 2003
0 50 100 200 300 400 FEET
GRAPHIC SCALE

THE SIRINE GROUP, LTD.
SURVEYORS • ENGINEERS • PLANNERS
4794 GEORGE WASHINGTON MEMORIAL HIGHWAY
U.S. ROUTE 17
P.O. BOX 450
WHITE MARSH, VIRGINIA 23183



OWNER'S CONSENT

THE PLATTING OF THE CONDOMINIUM SHOWN HEREON IS IN ACCORDANCE WITH THE DESIRES OF THE UNDERSIGNED OWNERS AND PROPRIETORS. RAINBROOK VILLAS, L.L.C., A VIRGINIA LIMITED LIABILITY COMPANY BY: VILLA DEVELOPMENT, L.L.C., A VIRGINIA LIMITED LIABILITY COMPANY SOLE MEMBER

By: Lowell M. Spencer Sr. DATE: August 26, 2003
MEMBER

COMMONWEALTH OF VIRGINIA
COUNTY OF YORK, TO WIT:

THE FOREGOING INSTRUMENT WAS ACKNOWLEDGED BEFORE ME THIS 21 DAY OF AUGUST, 2003, BY LOWELL M. SPENCER SR., MEMBER OF VILLA DEVELOPMENT, L.L.C., A VIRGINIA LIMITED LIABILITY COMPANY, SOLE MEMBER OF RAINBROOK VILLAS, L.L.C., A VIRGINIA LIMITED LIABILITY COMPANY.
MY COMMISSION EXPIRES: 6-30-05

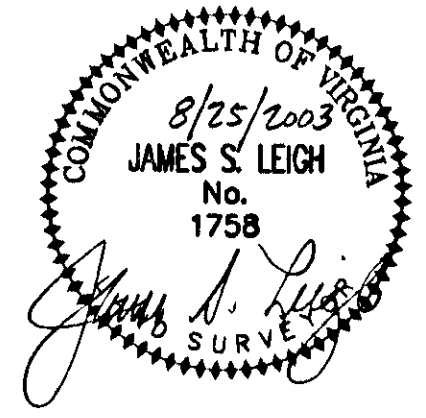
[Signature]
NOTARY PUBLIC

SURVEYOR'S CERTIFICATE

TO THE BEST OF MY KNOWLEDGE AND BELIEF ALL THE REQUIREMENTS AS SET FORTH IN THE ORDINANCE FOR APPROVING PLATS IN THE COUNTY OF YORK, VIRGINIA, HAVE BEEN COMPLIED WITH, INCLUDING A CLOSURE OF NOT LESS THAN 1"/20,000'.

THIS IS TO CERTIFY THAT THE LAND EMBRACED WITHIN THE LIMITS OF THIS CONDOMINIUM IS IN THE NAME OF RAINBROOK VILLAS, L.L.C., AS RECORDED IN THE CERTIFICATE OF AMENDMENT DATED AUGUST 13, 1999, RECORDED IN DEED BOOK 1126, PAGE 324 AND WAS ACQUIRED FROM ROBERT E. BENDL AND GLORIA M. BENDL BY DEED DATED MAY 19, 1999 AND RECORDED IN DEED BOOK 1099, PAGE 72 AND FROM VILLA DEVELOPMENT, L.L.C., A VIRGINIA LIMITED LIABILITY COMPANY BY DEED DATED JUNE 9, 1999 AND RECORDED IN DEED BOOK 1099, PAGE 70 AND FROM RAINBROOK SOUTH, L.L.C. AS RECORDED IN THE DEED IN DISSOLUTION DATED MARCH 22, 2002 RECORDED AS INSTRUMENT NUMBER 020004987 IN THE CLERK'S OFFICE OF THE CIRCUIT COURT FOR YORK COUNTY, VIRGINIA. I CERTIFY THAT THE MONUMENTS AND IRON PINS AS SHOWN ON THIS PLAT WILL BE SET ON OR BEFORE DECEMBER 31, 2003. I CERTIFY THAT THIS PLAT IS ACCURATE AND COMPLIES WITH THE PROVISIONS OF SECTION 55-79.58(a) OF THE CODE OF VIRGINIA OF 1950 AS AMENDED AND ALL UNITS SHOWN HEREON HAVE BEEN SUBSTANTIALLY COMPLETED.

SIGNED: James S. Leigh 8/25/2003
JAMES S. LEIGH, L.S. # 1758



APPROVED:
YORK COUNTY BOARD OF SUPERVISORS

By: Al. Maddalena

DATE: 8/27/03

STATE OF VIRGINIA
COUNTY OF YORK

IN THE CLERK'S OFFICE OF THE CIRCUIT COURT FOR THE COUNTY OF YORK, VIRGINIA, THE 29th DAY OF August, 2003, THIS PLAT WAS PRESENTED AND ADMITTED TO RECORD AS THE LAW DIRECTS AS INSTRUMENT NUMBER: 030021966 10:46 am

TESTE: Lynn S. Jenkins
CLERK
BY: [Signature]
DEPUTY CLERK

PROPERTY IS ASSESSOR'S PARCEL 29-00-00-018
GPIN: S06C-0684-2246