

THE UNDERSIGNED CERTIFIES THAT THIS PLAN IS ACCURATE AND COMPLIES WITH THE PROVISIONS OF THE CODE OF VIRGINIA SECTION 55-79.58 (b) AND ALL UNITS DEPICTED HEREON HAVE BEEN SUBSTANTIALLY COMPLETED.

SIGNED: C.L. Pittman DATE: 8/25/2003
C.L. PITTMAN, P.E.

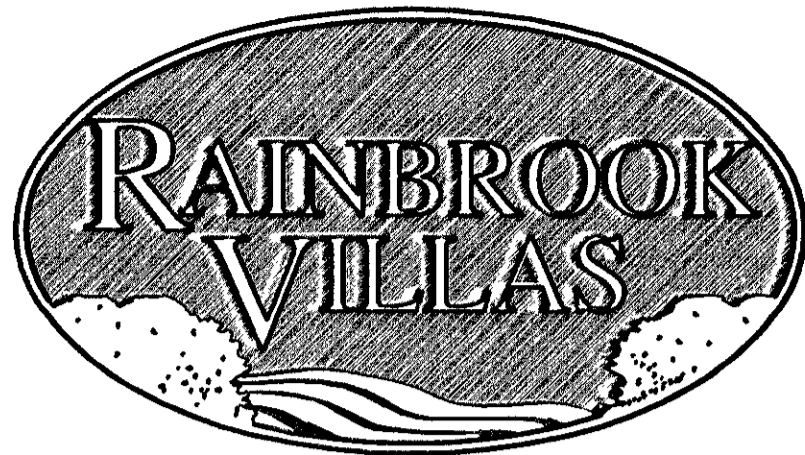
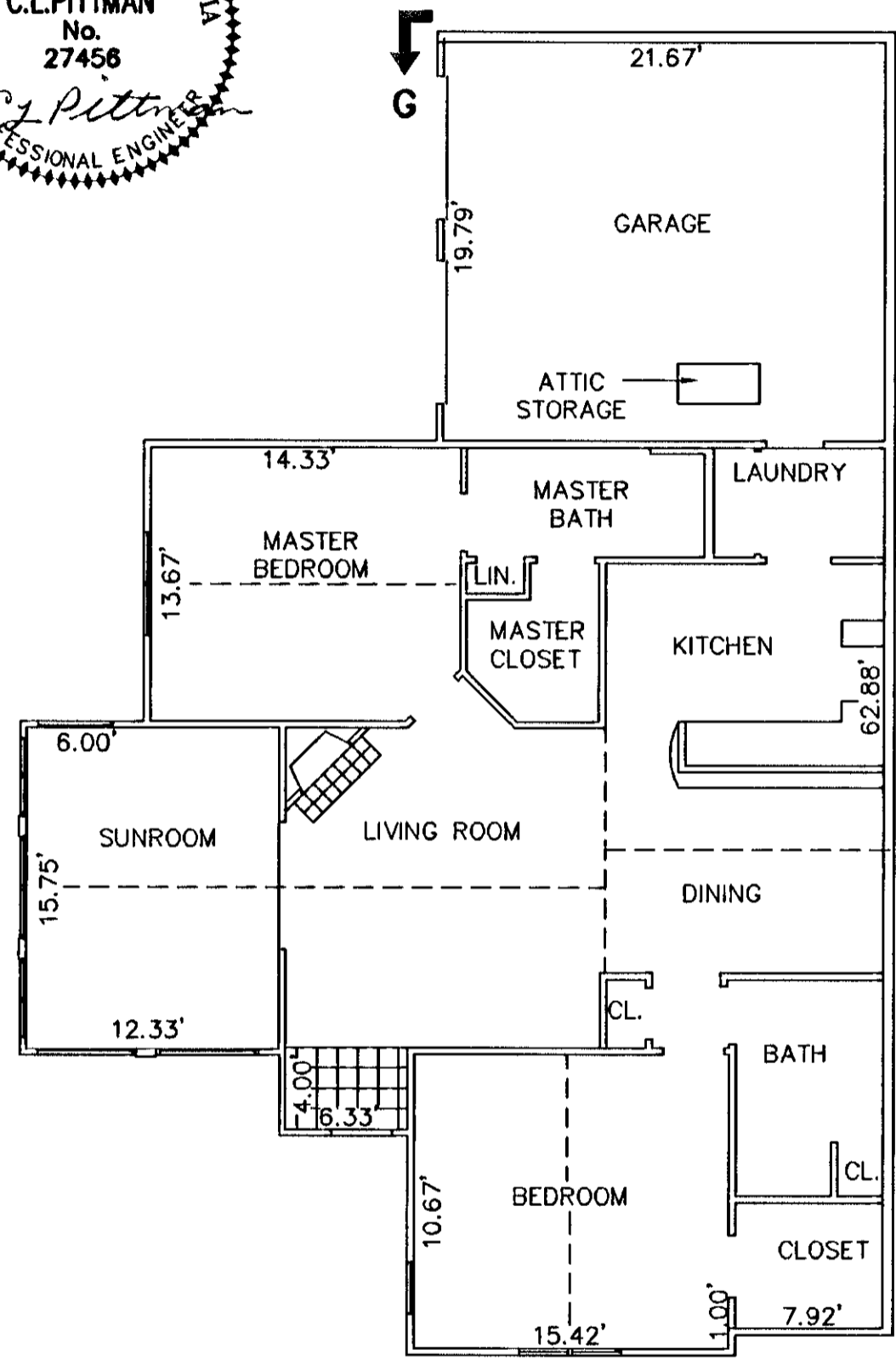
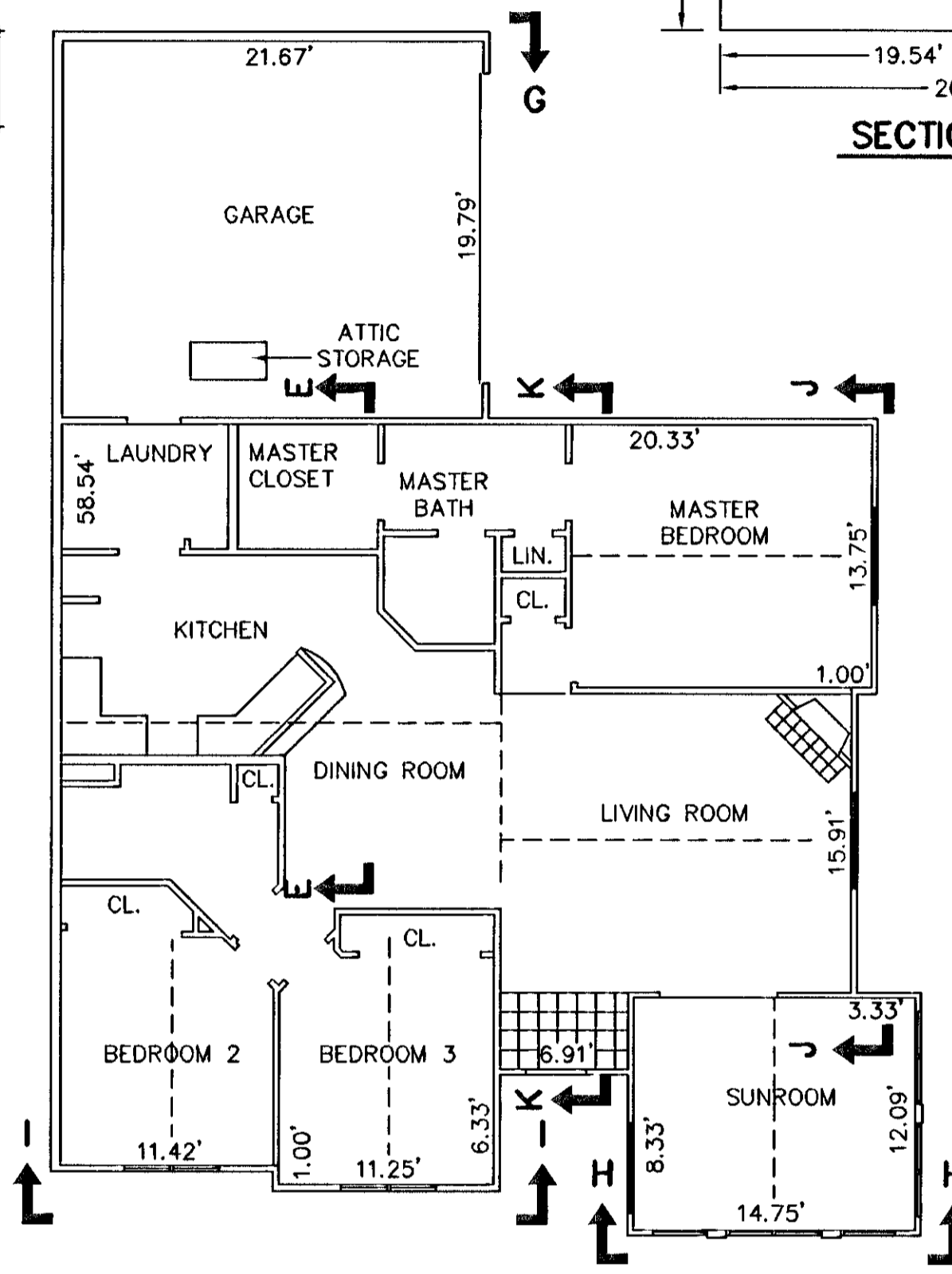


EXHIBIT "D"
PLAT OF
RAINBROOK VILLAS
A CONDOMINIUM
PHASE XXII
SHEET 3 OF 4
GRAFTON DISTRICT - COUNTY OF YORK, VIRGINIA
SCALE: 1/8" = 1'-0" AUGUST 25, 2003

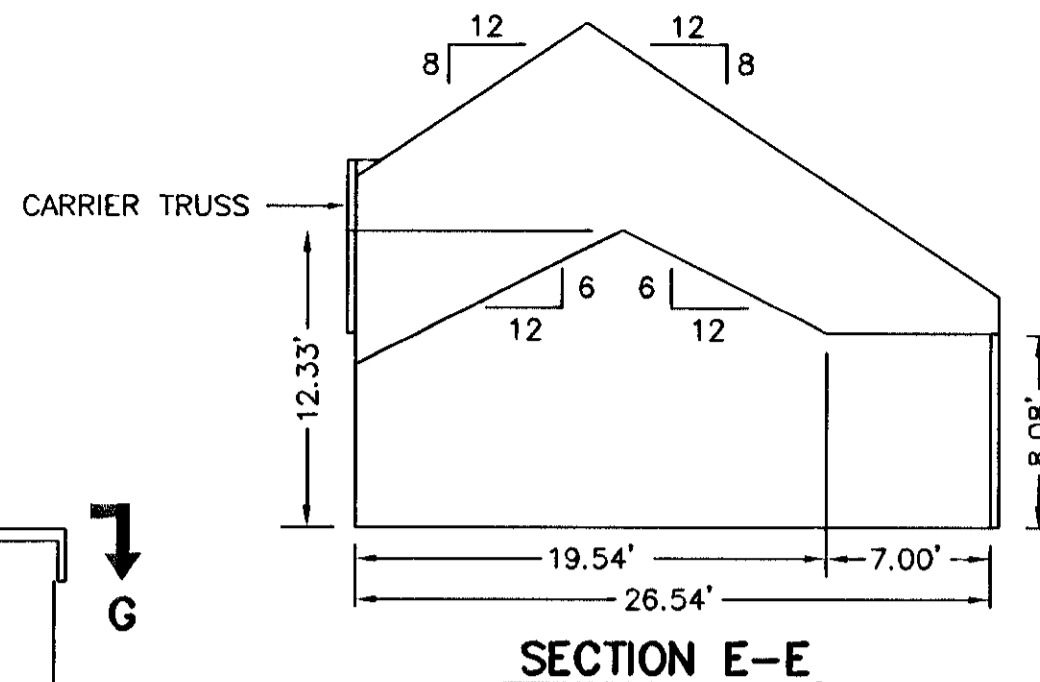
0 4 8 16 24 36 FEET
GRAPHIC SCALE
THE SIRINE GROUP, LTD.
SURVEYORS • ENGINEERS • PLANNERS
4794 GEORGE WASHINGTON MEMORIAL HIGHWAY
U.S. ROUTE 17
P.O. BOX 450
WHITE MARSH, VIRGINIA 23183



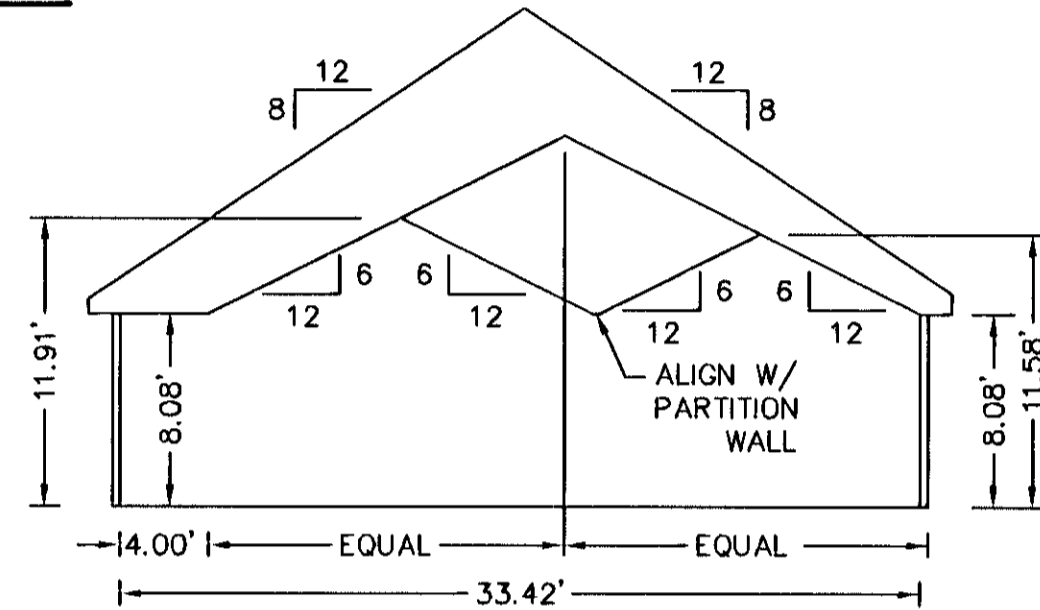
BUILDING 36-1, 36-3, 37-2, 37-4, 38-1 & 38-3- ABBEY
FLOOR PLAN



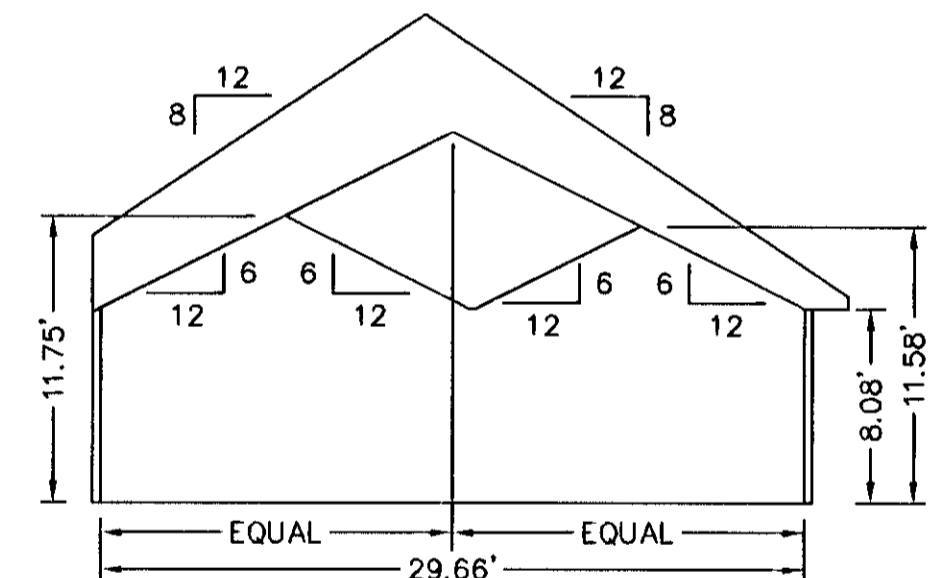
BUILDING 36-2, 37-1, 38-2 & 38-4 CANTERBURY
FLOOR PLAN



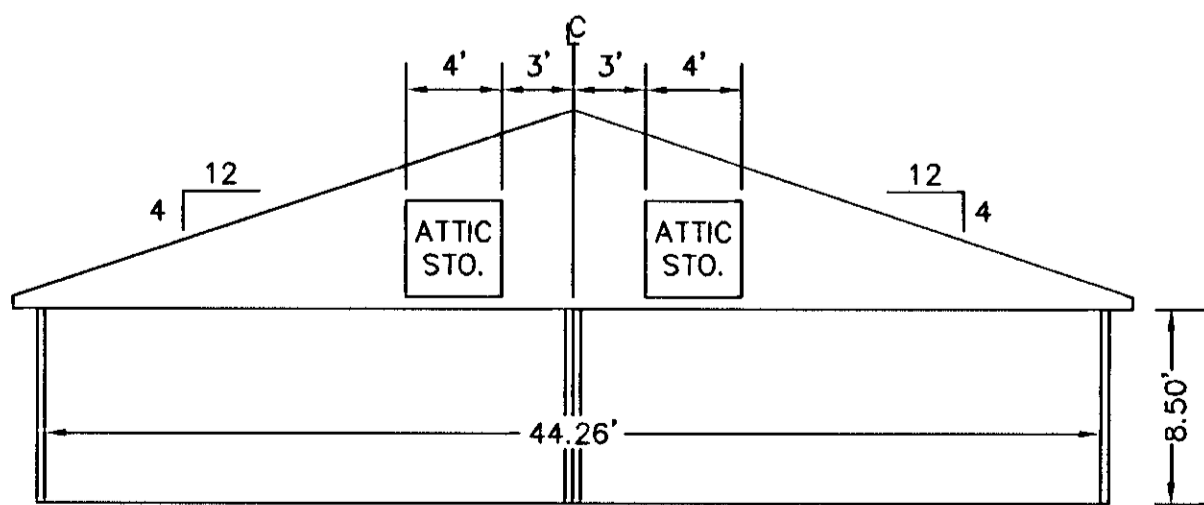
SECTION E-E



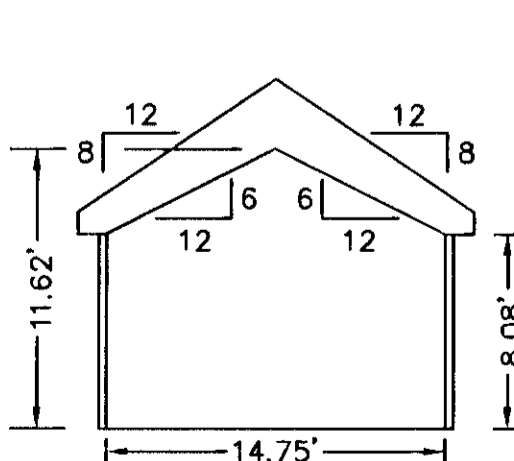
SECTION K-K



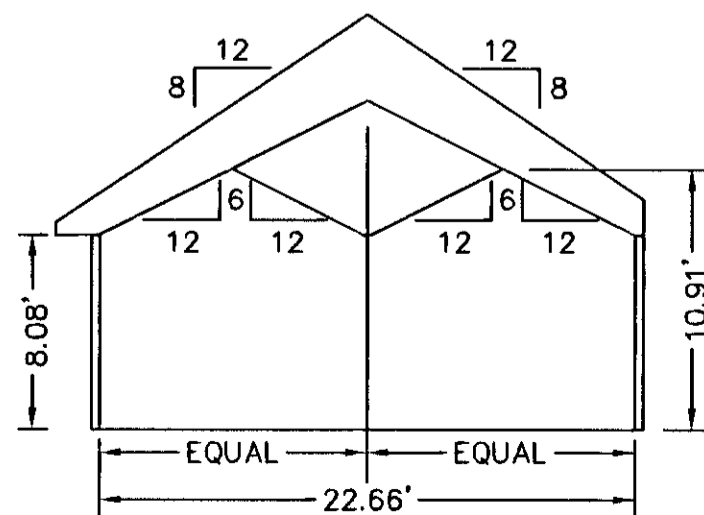
SECTION J-J



SECTION G-G
GARAGE



SECTION H-H



SECTION I-I

APPROVED:
YORK COUNTY BOARD OF SUPERVISORS

BY: Al Maddalena

DATE: 8/27/03

NOTES:
1. ALL BUILDING DIMENSIONS SHOWN HEREON ARE INTERIOR DIMENSIONS AND ARE IN FEET.

STATE OF VIRGINIA
COUNTY OF YORK

IN THE CLERK'S OFFICE OF THE CIRCUIT COURT FOR THE COUNTY OF YORK THE 29th DAY OF August, 2003, THIS PLAT WAS PRESENTED AND ADMITTED TO RECORD AS THE LAW DIRECTS AS INSTRUMENT NUMBER 030027966

TESTE: Lynn S. Jenkins
CLERK
BY: Shirley Hughes

10:46 am