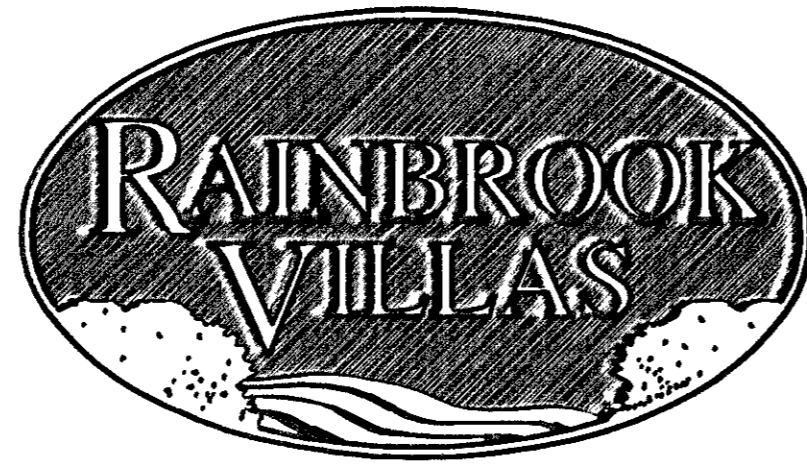


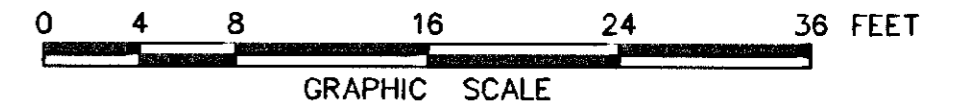
THE UNDERSIGNED CERTIFIES THAT THIS PLAN IS ACCURATE AND COMPLIES WITH THE PROVISIONS OF THE CODE OF VIRGINIA SECTION 55-79.58 (b) AND ALL UNITS DEPICTED HEREON HAVE BEEN SUBSTANTIALLY COMPLETED.

SIGNED: C.L. Pittman DATE: 12/8/2003  
C.L. PITTMAN, P.E.

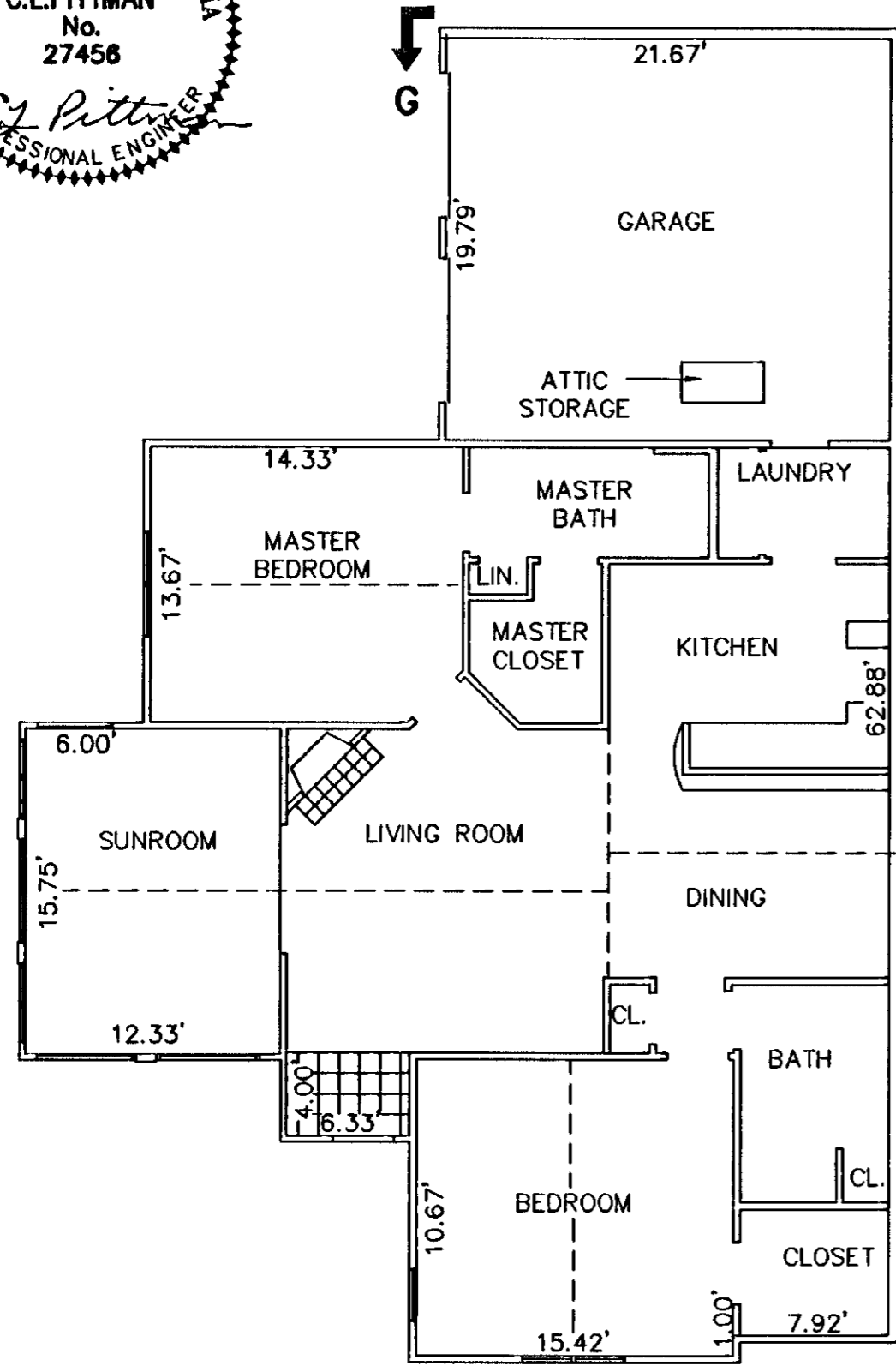


**EXHIBIT "D"**  
**PLAT OF**  
**RAINBROOK VILLAS**  
**A CONDOMINIUM**  
**PHASE XXIV**  
**SHEET 3 OF 4**

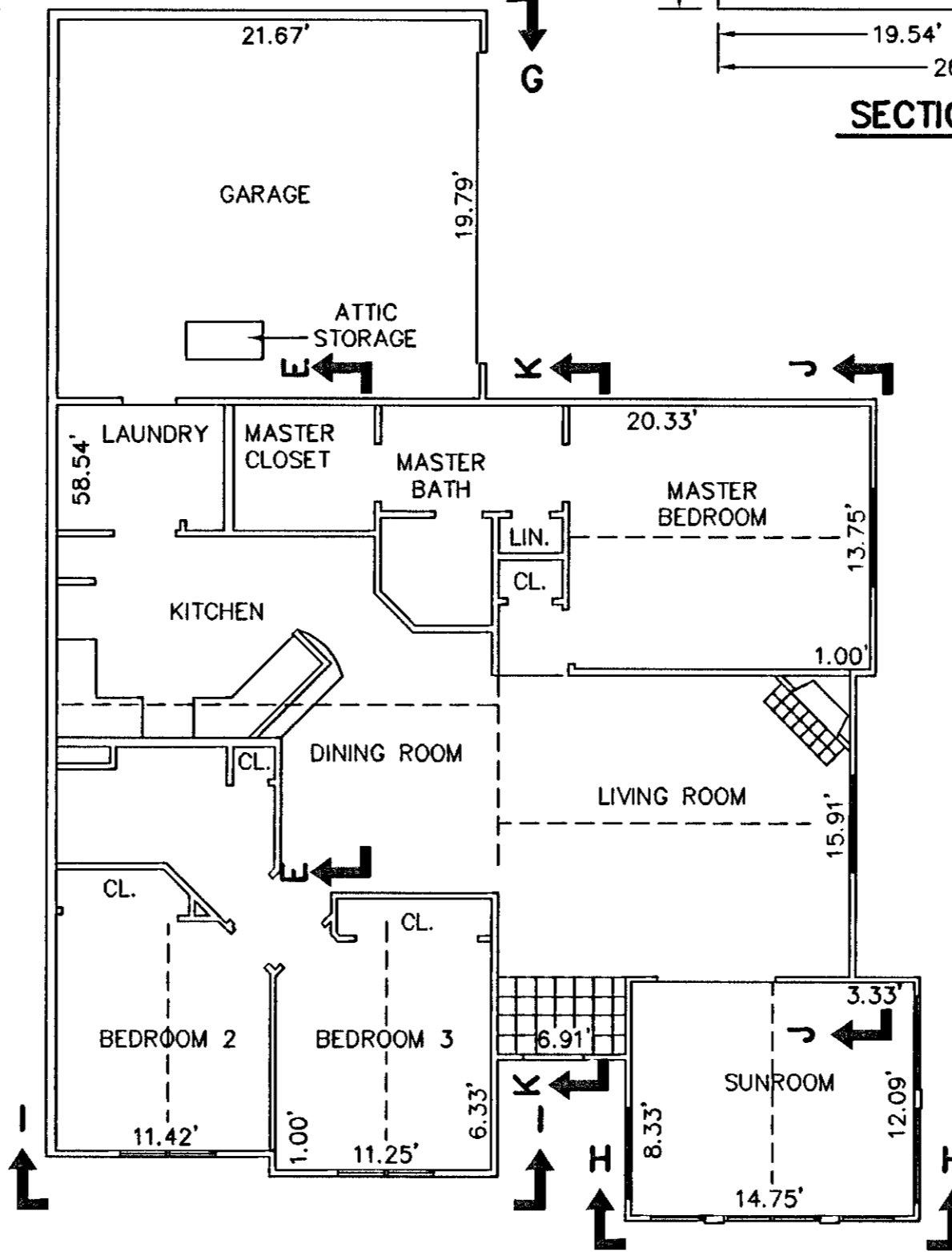
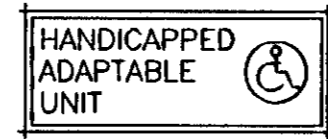
GRAFTON DISTRICT - COUNTY OF YORK, VIRGINIA  
SCALE: 1/8" = 1'-0" AUGUST 28, 2003



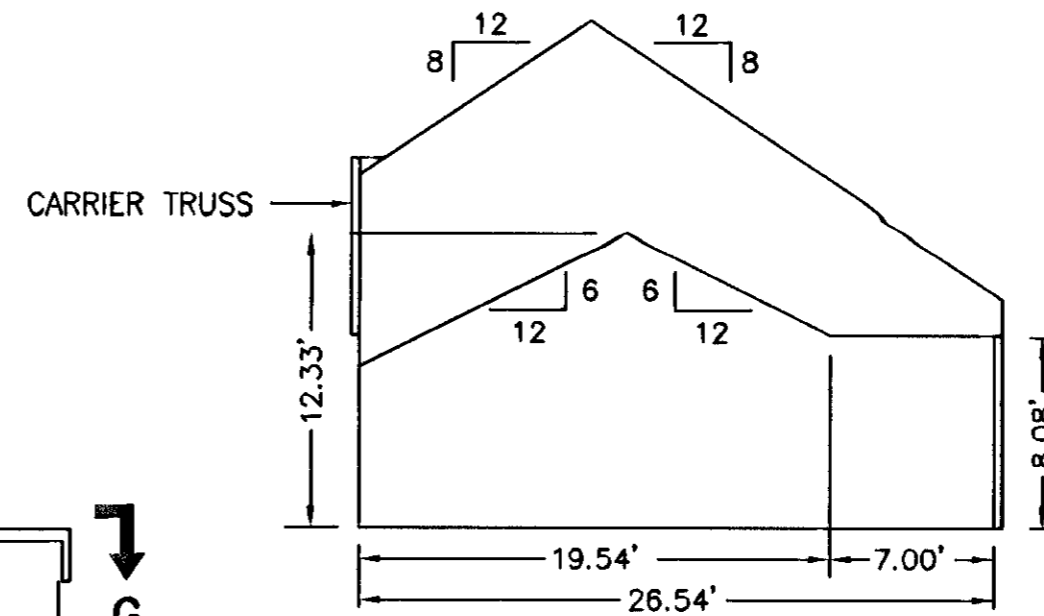
**THE SIRINE GROUP, LTD.**  
SURVEYORS • ENGINEERS • PLANNERS  
4794 GEORGE WASHINGTON MEMORIAL HIGHWAY  
U.S. ROUTE 17  
P.O. BOX 450  
WHITE MARSH, VIRGINIA 23183



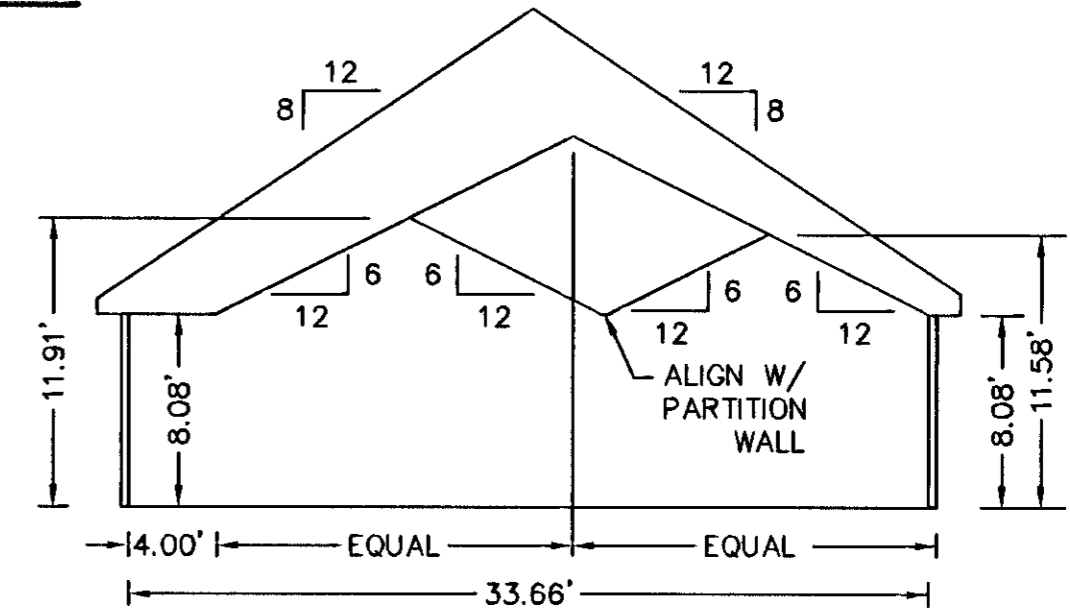
**BUILDING 41-2 & 41-4 - ABBEY**  
**FLOOR PLAN**



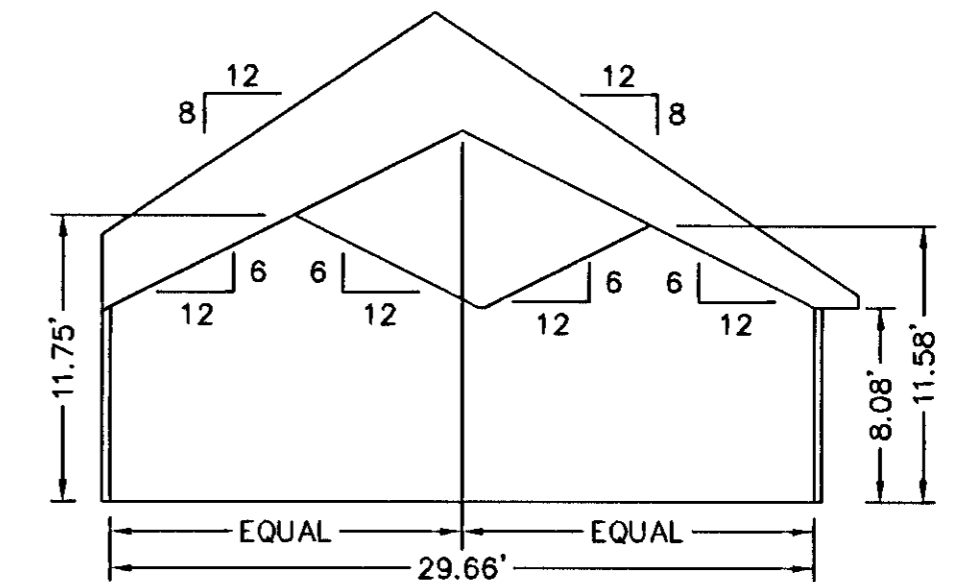
**BUILDING 41-1 - CANTERBURY**  
**FLOOR PLAN**



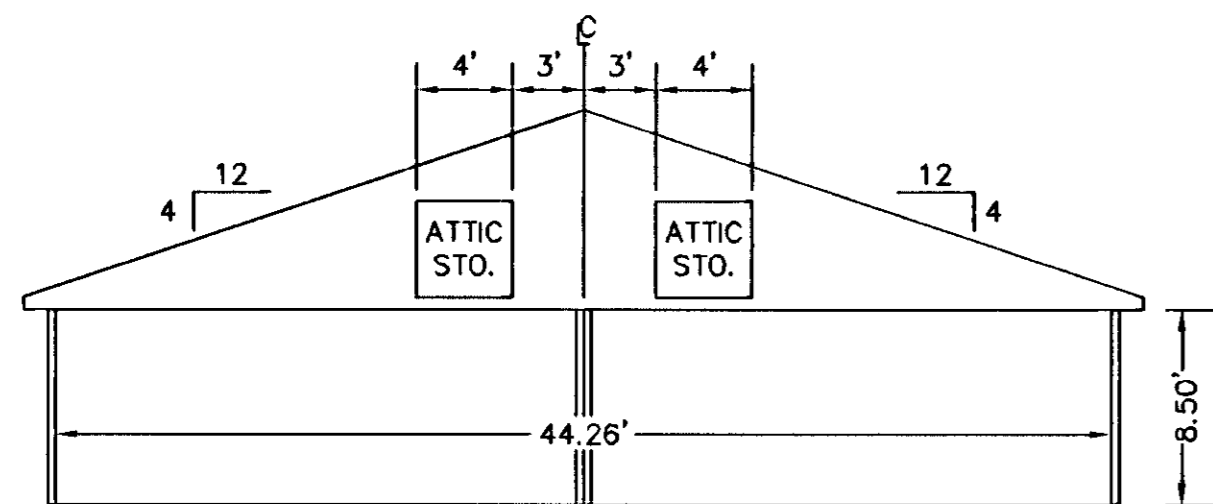
**SECTION E-E**



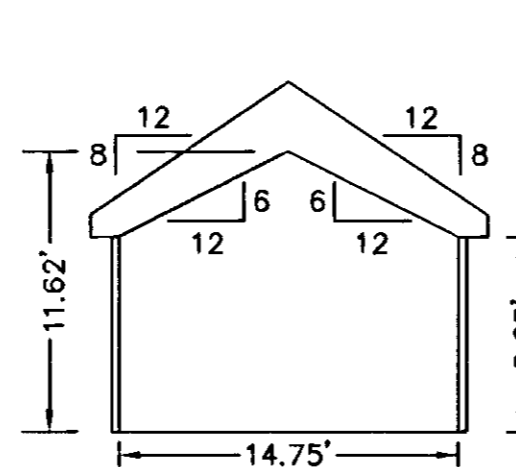
**SECTION K-K**



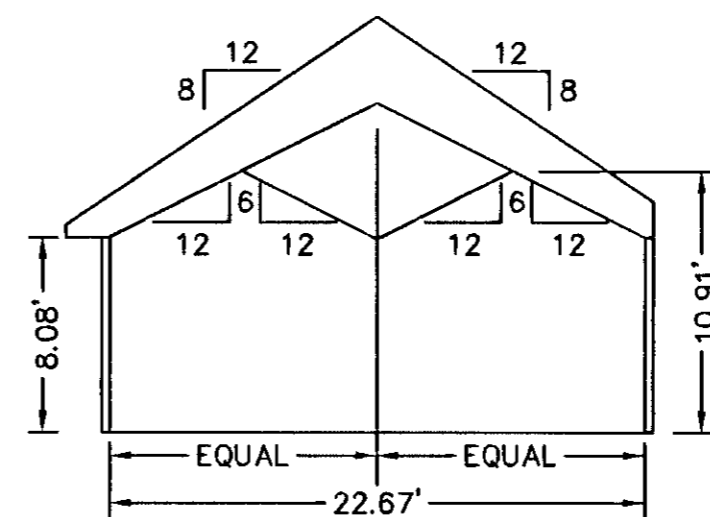
**SECTION J-J**



**SECTION G-G**  
**GARAGE**



**SECTION H-H**



**SECTION I-I**

APPROVED:  
YORK COUNTY BOARD OF SUPERVISORS

BY: Al Maddalena

DATE: 12/8/03

NOTES:  
1. ALL BUILDING DIMENSIONS SHOWN HEREON ARE INTERIOR DIMENSIONS AND ARE IN FEET.

STATE OF VIRGINIA  
COUNTY OF YORK

IN THE CLERK'S OFFICE OF THE CIRCUIT COURT FOR THE COUNTY OF YORK THE 8th DAY OF Dec, 2003, THIS PLAT WAS PRESENTED AND ADMITTED TO RECORD AS THE LAW DIRECTS AS INSTRUMENT NUMBER 030038569

TESTE: Lynn S. Jenkins 10:41 AM  
CLERK  
BY: Samuel Allen, P.C.