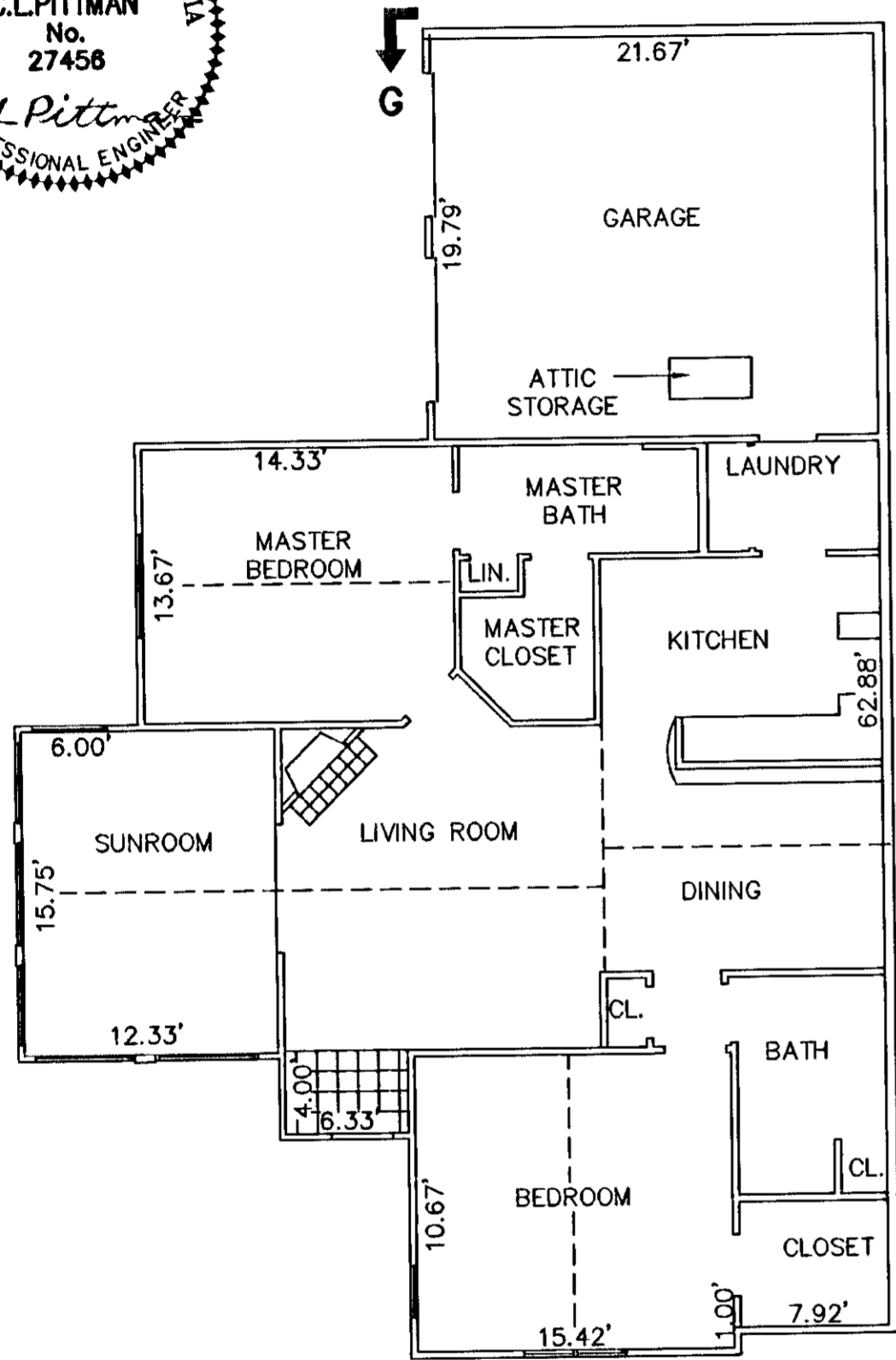
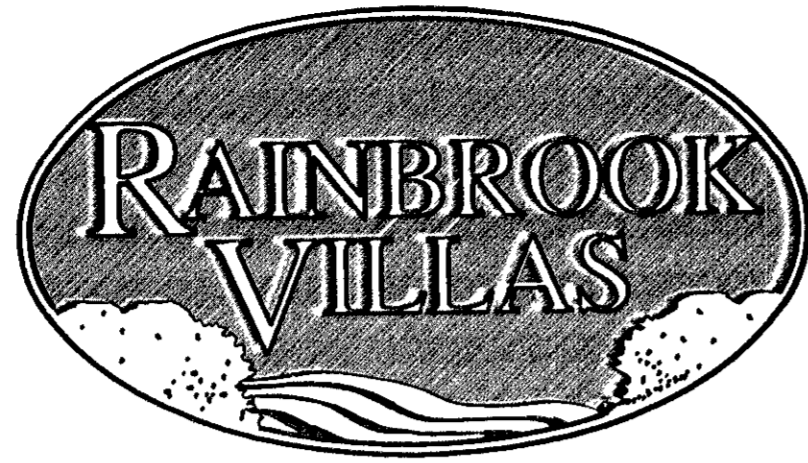


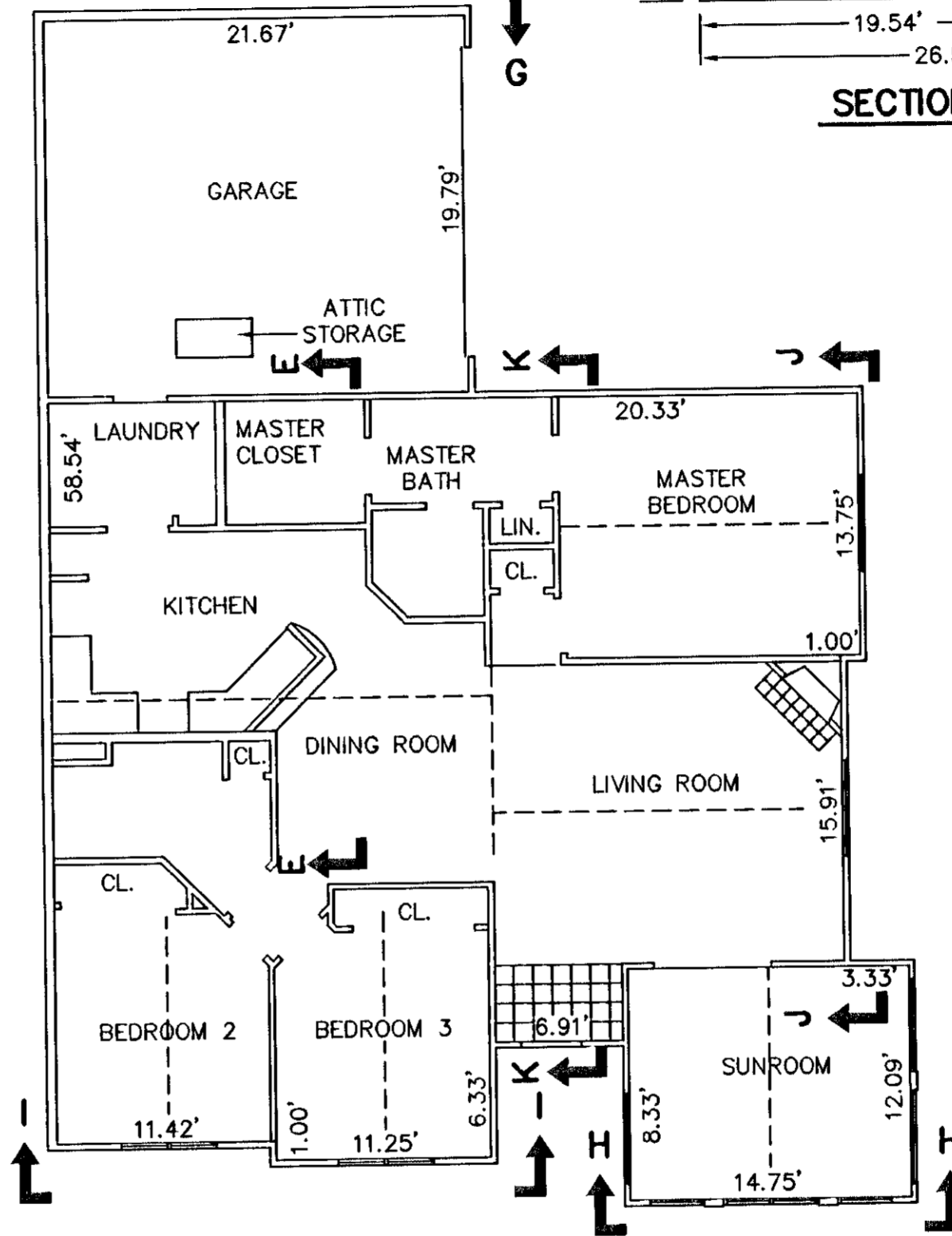
THE UNDERSIGNED CERTIFIES THAT THIS PLAN IS ACCURATE AND COMPLIES WITH THE PROVISIONS OF THE CODE OF VIRGINIA SECTION 55-79.58 (b) AND ALL UNITS DEPICTED HEREON HAVE BEEN SUBSTANTIALLY COMPLETED.

SIGNED: C.L. Pittman DATE: 12/19/2003  
C.L. PITTMAN, P.E.

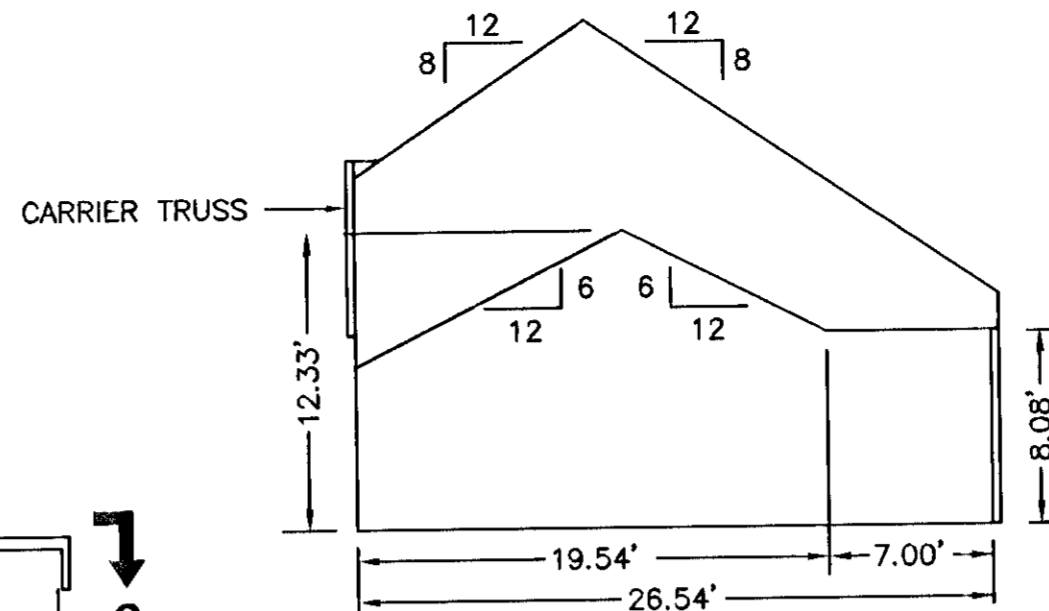


**BUILDING 35-1 & 35-3 - ABBEY  
FLOOR PLAN**

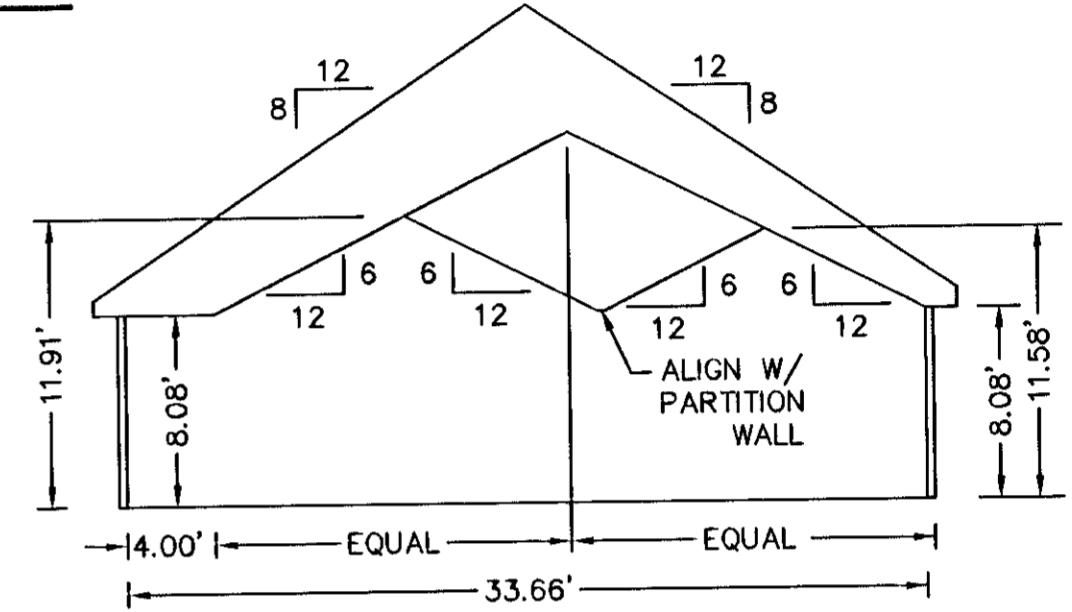
HANDICAPPED ADAPTABLE UNIT



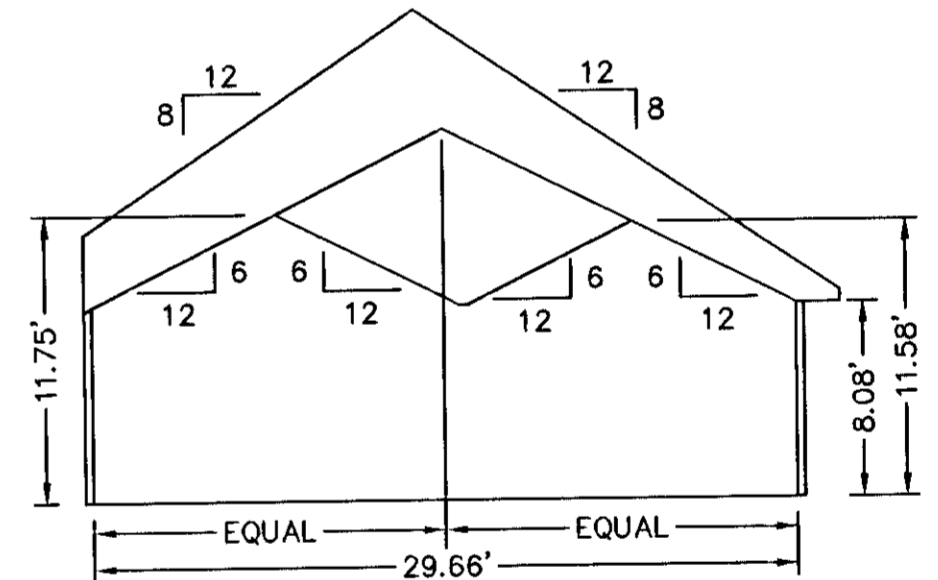
**BUILDING 35-2 & 35-4 - CANTERBURY  
FLOOR PLAN**



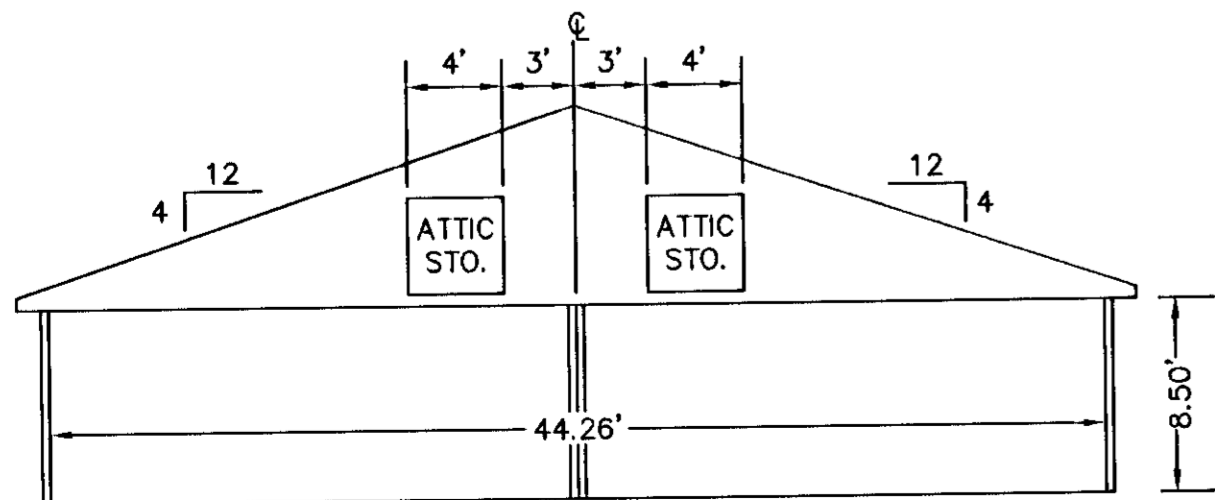
**SECTION E-E**



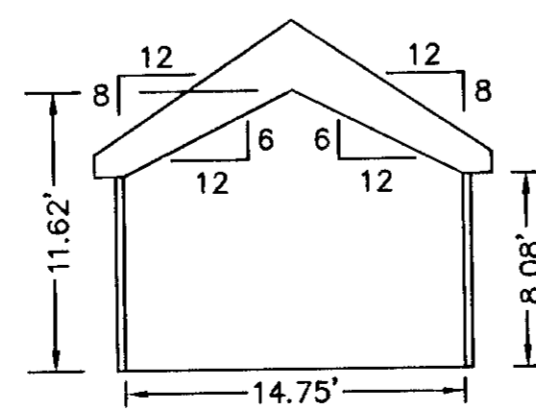
**SECTION K-K**



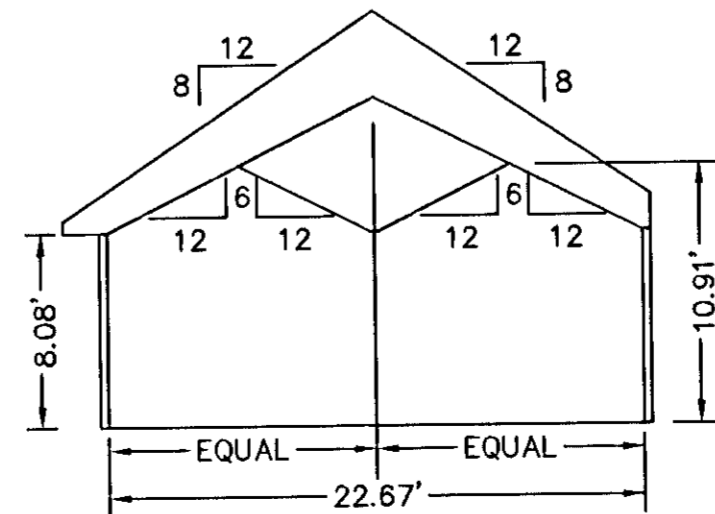
**SECTION J-J**



**SECTION G-G  
GARAGE**



**SECTION H-H**



**SECTION I-I**

**EXHIBIT "D"**  
PLAT OF  
**RAINBROOK VILLAS  
A CONDOMINIUM  
PHASE XXV**  
SHEET 3 OF 4  
GRAFTON DISTRICT - COUNTY OF YORK, VIRGINIA  
SCALE: 1/8" = 1'-0" DECEMBER 4, 2003  
0 4 8 16 24 36 FEET  
GRAPHIC SCALE

**THE SIRINE GROUP, LTD.**  
SURVEYORS • ENGINEERS • PLANNERS  
4794 GEORGE WASHINGTON MEMORIAL HIGHWAY  
U.S. ROUTE 17  
P.O. BOX 450  
WHITE MARSH, VIRGINIA 23183

APPROVED:  
YORK COUNTY BOARD OF SUPERVISORS

BY: [Signature]

DATE: 12/23/03

NOTES:  
1. ALL BUILDING DIMENSIONS SHOWN HEREON ARE INTERIOR DIMENSIONS AND ARE IN FEET.

STATE OF VIRGINIA  
COUNTY OF YORK

IN THE CLERK'S OFFICE OF THE CIRCUIT COURT FOR THE COUNTY OF YORK THE 23rd DAY OF December, 2003, THIS PLAT WAS PRESENTED AND ADMITTED TO RECORD AS THE LAW DIRECTS AS INSTRUMENT NUMBER 030039913

TESTE: Lynn S. Jenkins  
CLERK

BY: [Signature]