

THE UNDERSIGNED CERTIFIES THAT THIS PLAN IS ACCURATE AND COMPLIES WITH THE PROVISIONS OF THE CODE OF VIRGINIA SECTION 55-79.58 (b) AND ALL UNITS DEPICTED HEREON HAVE BEEN SUBSTANTIALLY COMPLETED.

SIGNED: C.L. Pittman DATE: 11/16/2005
C.L. PITTMAN, P.E.

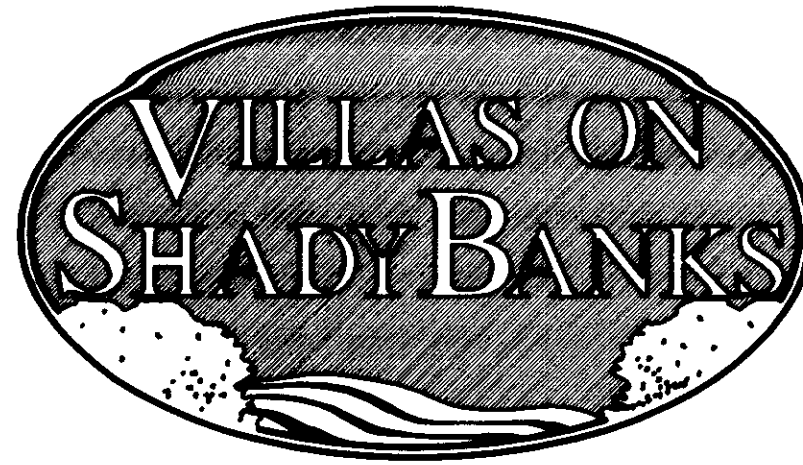
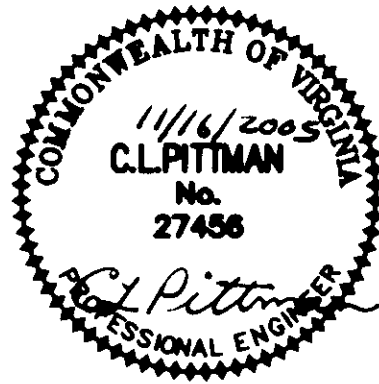
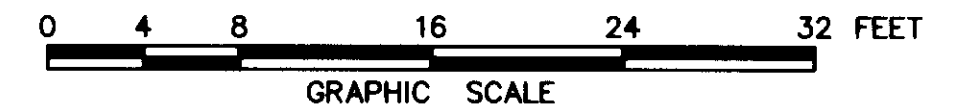
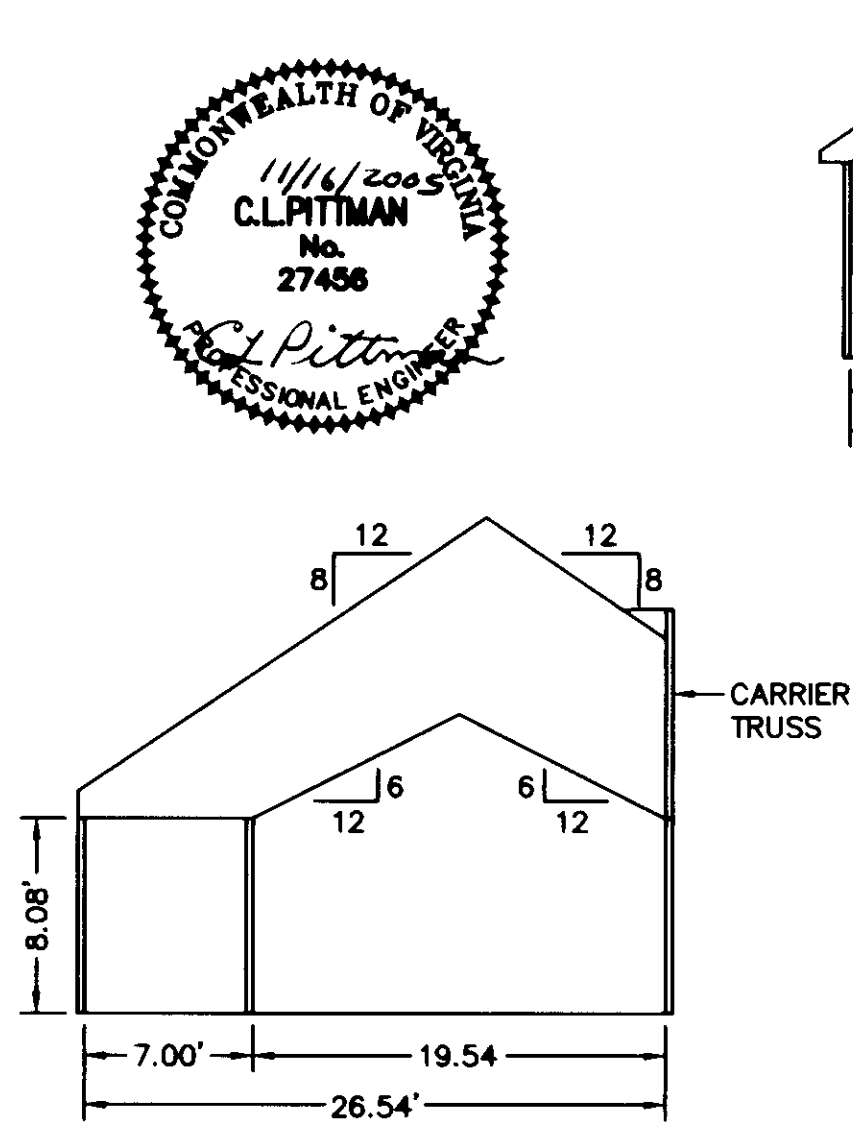


EXHIBIT "D"
PLAT OF
VILLAS ON SHADY BANKS
A CONDOMINIUM
PHASE VI
SHEET 3 OF 5

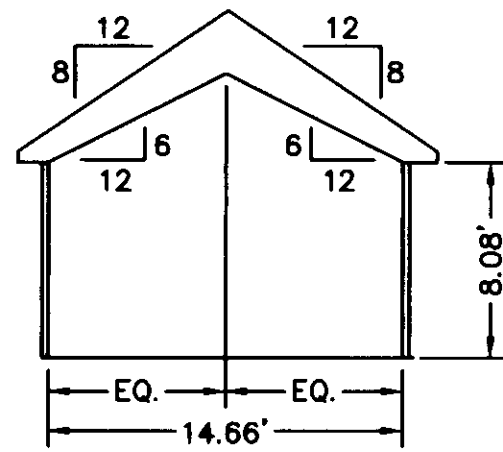
BETHEL DISTRICT - COUNTY OF YORK, VIRGINIA
SCALE: 1/8" = 1'-0" AUGUST 23, 2005



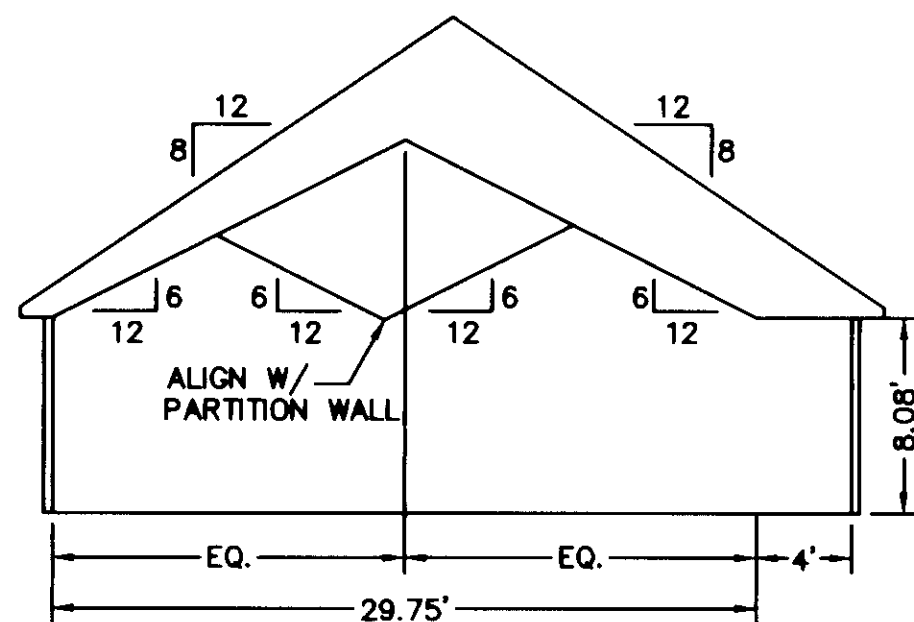
THE SIRINE GROUP, LTD.
SURVEYORS • ENGINEERS • PLANNERS
4794 GEORGE WASHINGTON MEMORIAL HIGHWAY
P.O. BOX 450, U.S. ROUTE 17
WHITE MARSH, VIRGINIA 23183
(804) 693-9548



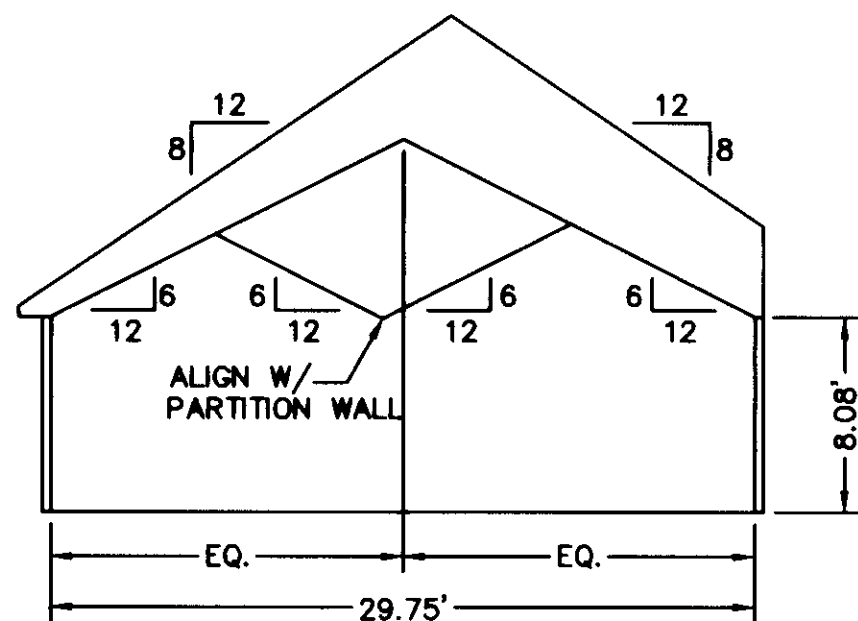
SECTION A-A



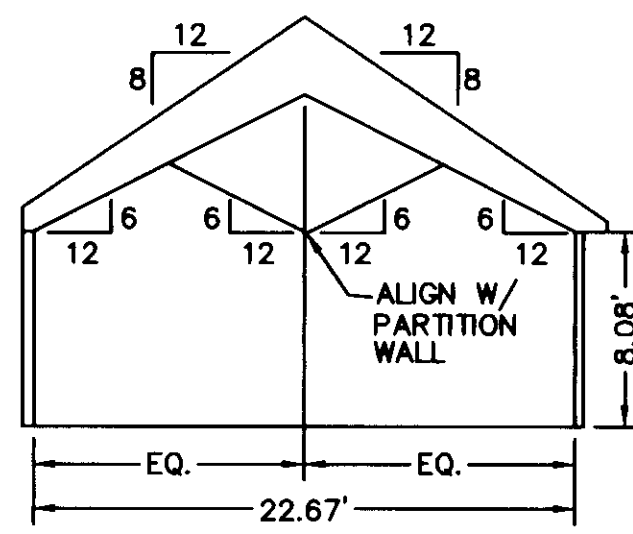
SECTION D-D



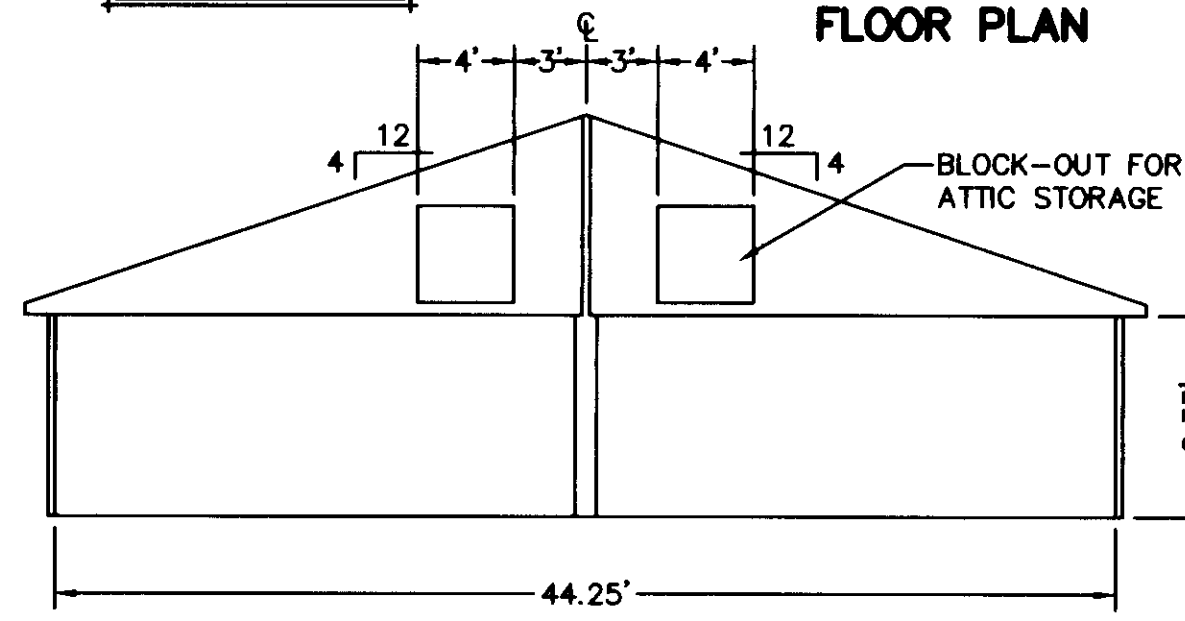
SECTION B-B



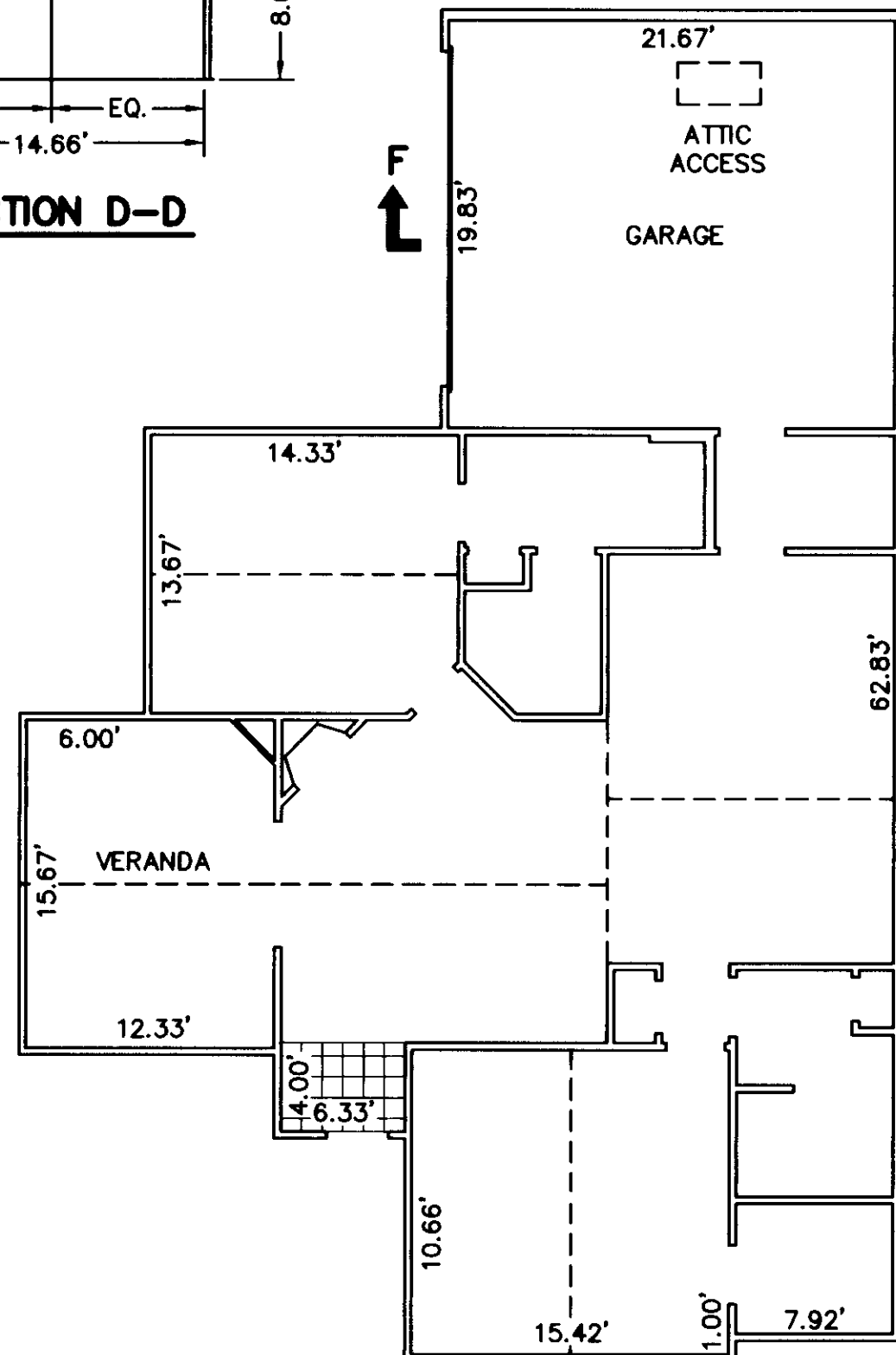
SECTION C-C



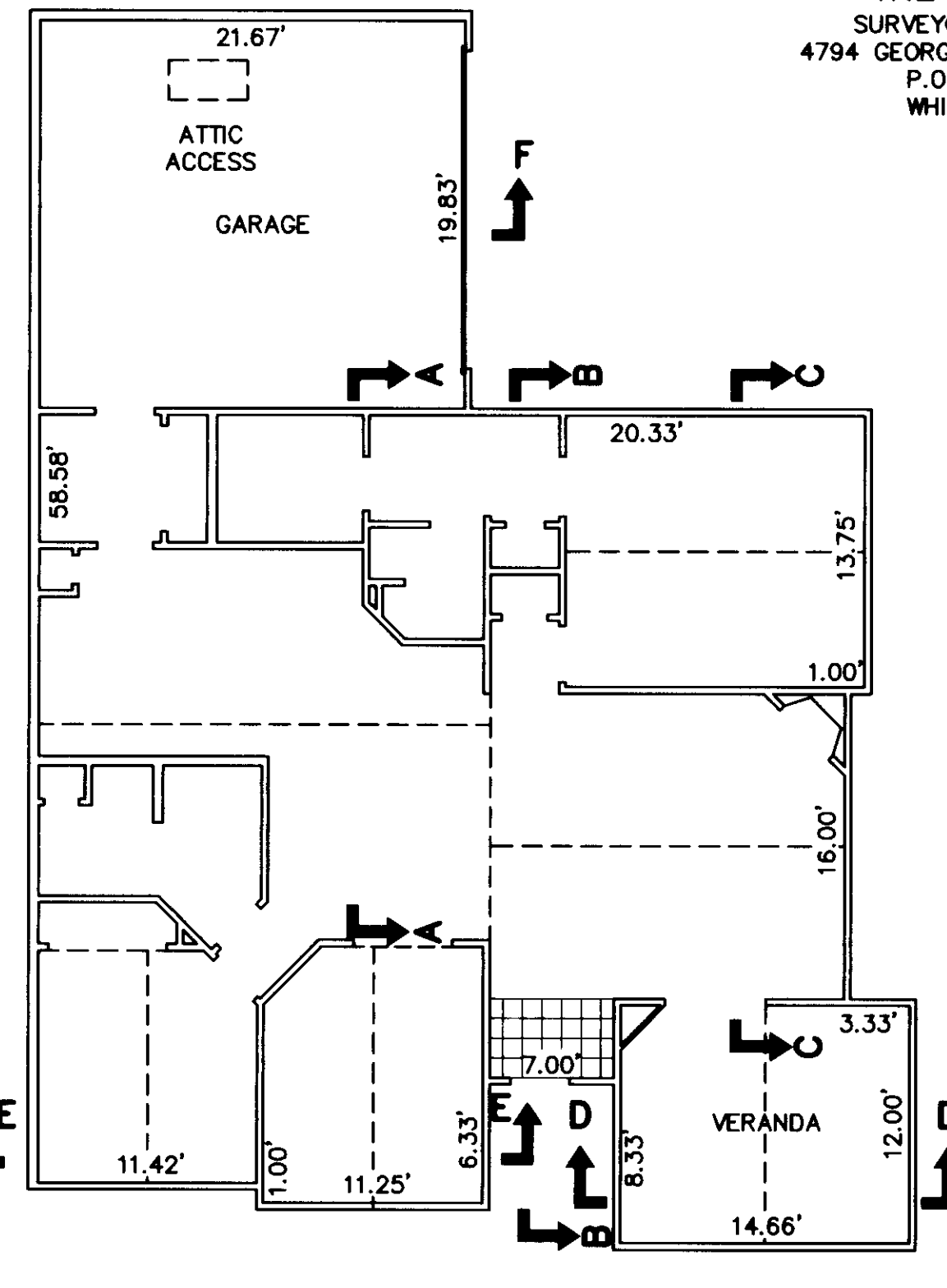
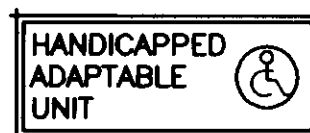
SECTION E-E



SECTION F-F



BUILDING 13-2, 13-4,
14-1 & 14-3 ABBEY
FLOOR PLAN



BUILDING 13-3, 14-2,
& 14-4 CANTERBURY
FLOOR PLAN

APPROVED:
YORK COUNTY BOARD OF SUPERVISORS

BY: Al. Maddalena
PLAT APPROVING AGENT

DATE: 11/29/05

NOTES:
1. ALL BUILDING DIMENSIONS SHOWN HEREON ARE INTERIOR DIMENSIONS AND ARE IN FEET.

STATE OF VIRGINIA
COUNTY OF YORK

IN THE CLERK'S OFFICE OF THE CIRCUIT COURT FOR YORK COUNTY-
POQUOSON, VIRGINIA, THIS 30th DAY OF NOV, 2005,
THIS PLAT WAS PRESENTED AND ADMITTED TO RECORD AS THE
LAW DIRECTS AS INSTRUMENT NUMBER LRO50030232
9:20 A.M.

TESTE: LYNN S. JENNINS, CLERK
CLERK
BY: [Signature]
DEPUTY CLERK