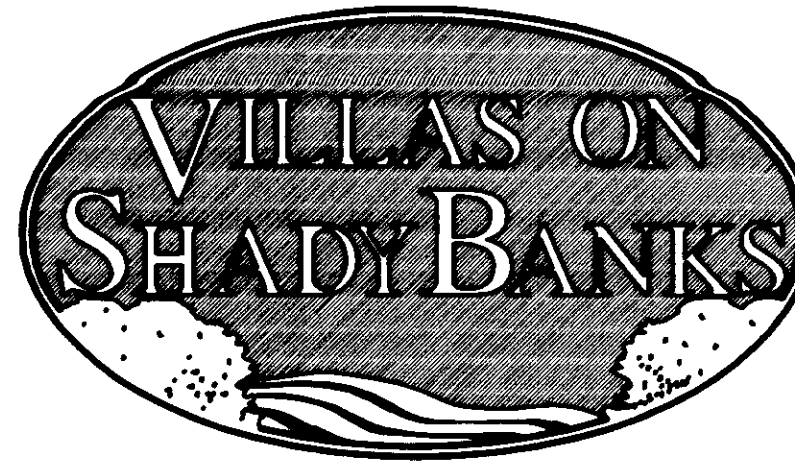
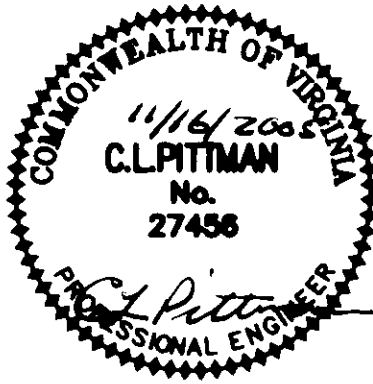


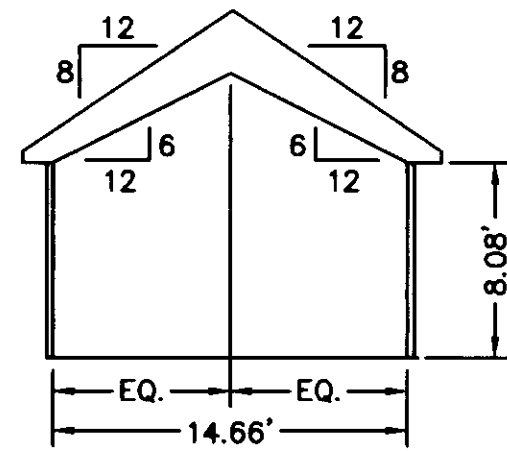
THE UNDERSIGNED CERTIFIES THAT THIS PLAN IS ACCURATE AND COMPLIES WITH THE PROVISIONS OF THE CODE OF VIRGINIA SECTION 55-79.58 (b) AND ALL UNITS DEPICTED HEREON HAVE BEEN SUBSTANTIALLY COMPLETED.

SIGNED: C.L. Pittman DATE: 11/16/2005  
C.L. PITTMAN, P.E.

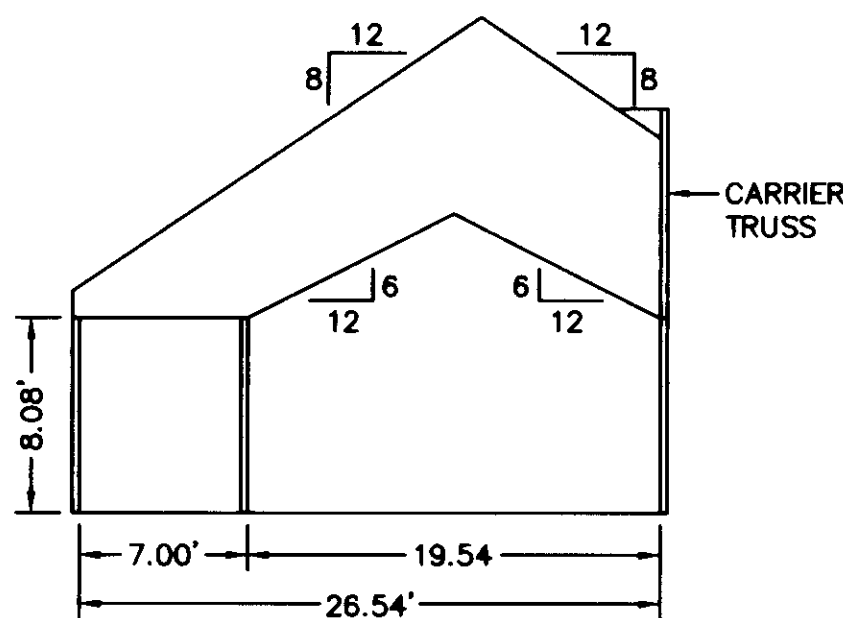


**EXHIBIT "D"**  
PLAT OF  
**VILLAS ON SHADY BANKS**  
**A CONDOMINIUM**  
**PHASE VI**  
SHEET 5 OF 5  
BETHEL DISTRICT - COUNTY OF YORK, VIRGINIA  
SCALE: 1/8" = 1'-0" AUGUST 23, 2005  
0 4 8 16 24 32 FEET  
GRAPHIC SCALE

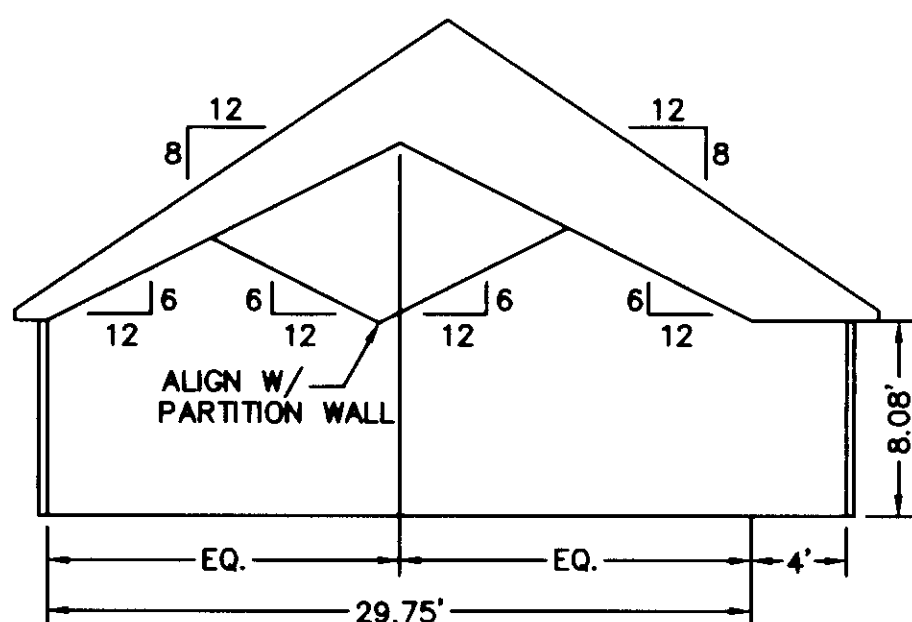
**THE SIRINE GROUP, LTD.**  
SURVEYORS • ENGINEERS • PLANNERS  
4794 GEORGE WASHINGTON MEMORIAL HIGHWAY  
P.O. BOX 450, U.S. ROUTE 17  
WHITE MARSH, VIRGINIA 23183  
(804) 693-9548



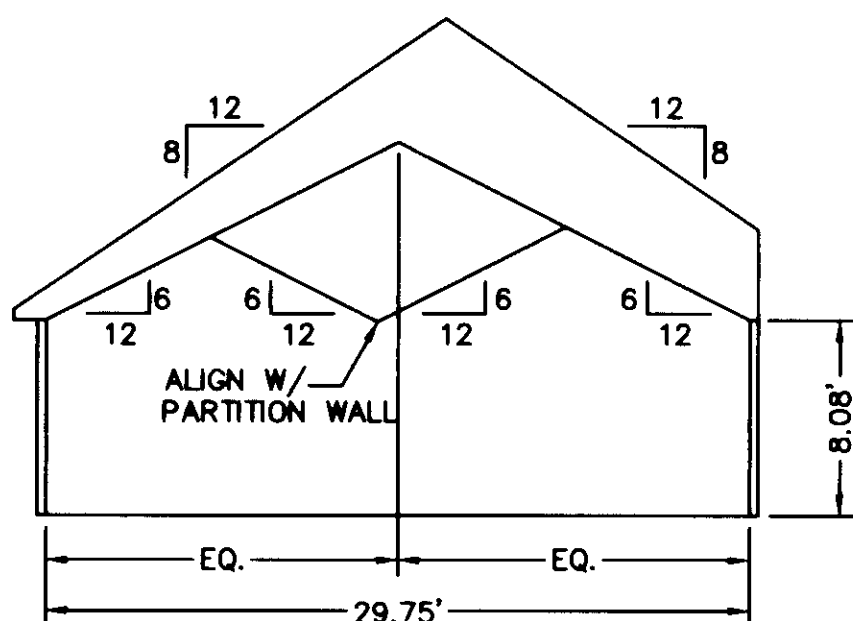
**SECTION D-D**



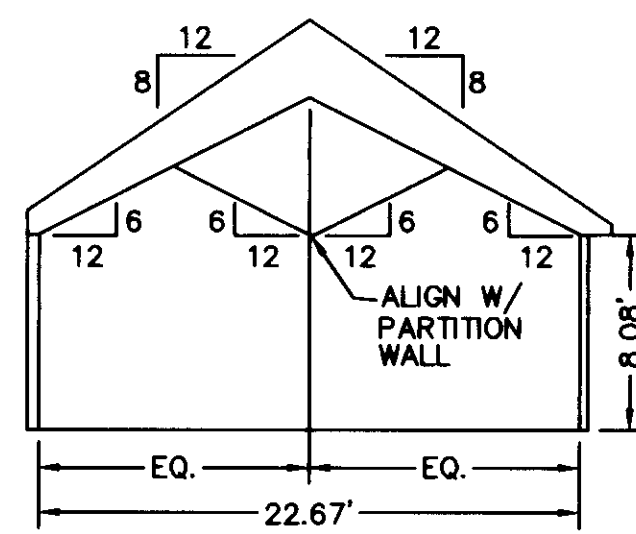
**SECTION A-A**



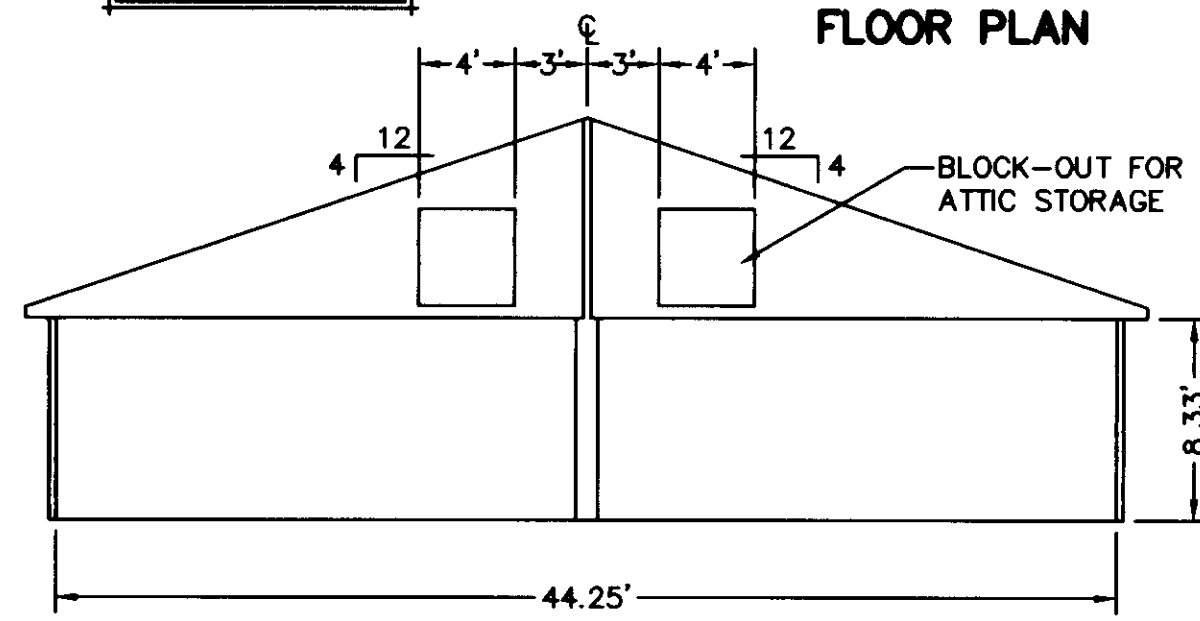
**SECTION B-B**



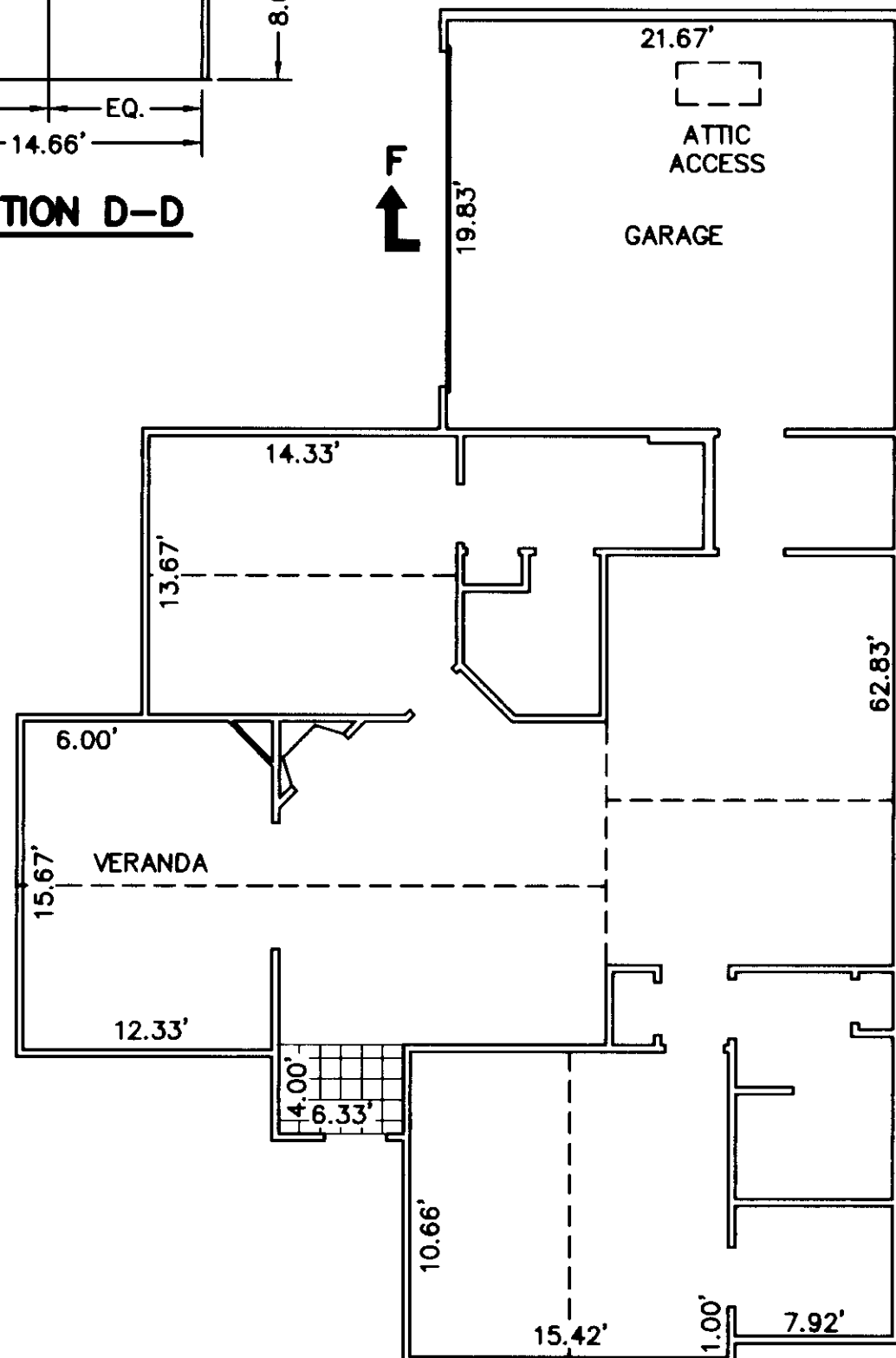
**SECTION C-C**



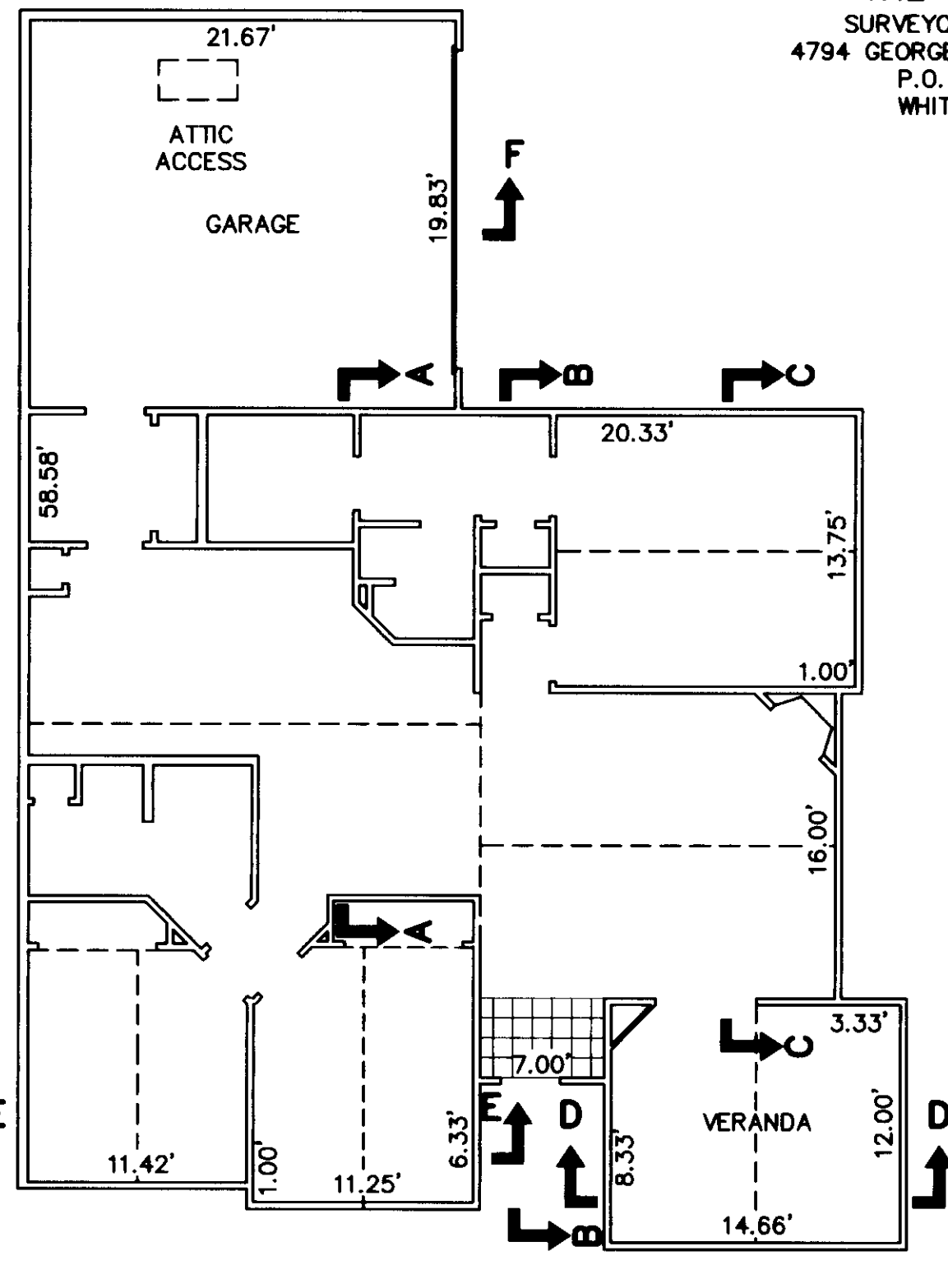
**SECTION E-E**



**SECTION F-F**



**BUILDING 13-2, 13-4,  
14-1 & 14-3 ABBEY  
FLOOR PLAN**



**BUILDING 13-1  
CANTERBURY  
FLOOR PLAN**

APPROVED:  
YORK COUNTY BOARD OF SUPERVISORS

BY: Al. Maddaleno  
PLAT APPROVING AGENT  
DATE: 11/29/05

NOTES:  
1. ALL BUILDING DIMENSIONS SHOWN HEREON ARE INTERIOR DIMENSIONS AND ARE IN FEET.

STATE OF VIRGINIA  
COUNTY OF YORK

IN THE CLERK'S OFFICE OF THE CIRCUIT COURT FOR YORK COUNTY-  
POQUOSON, VIRGINIA, THIS 30<sup>th</sup> DAY OF NOV, 2005,  
THIS PLAT WAS PRESENTED AND ADMITTED TO RECORD AS THE  
LAW DIRECTS AS INSTRUMENT NUMBER 62050030232  
9:20 A.M.

TESTE: LYNN S. JENKINS, CLERK  
CLERK  
BY: [Signature]  
DEPUTY CLERK