

RESUBDIVISION  
OF THE PROPERTIES OF

# 21ST CENTURY DEVELOPMENT, L.L.C., A VIRGINIA LIMITED LIABILITY COMPANY

BETHEL MAGISTERIAL DISTRICT

COUNTY OF YORK, VIRGINIA

SCALE : 1" = 100' DATE : 1 MARCH 2005

SHEET 2 OF 2

**DAVIS & ASSOCIATES, P.C.**

**SURVEYORS - PLANNERS**  
3630 GEORGE WASHINGTON  
MEMORIAL HIGHWAY - SUITE "G"  
YORKTOWN, VIRGINIA 23693

0 50 100 200

GRAPHIC SCALE

- SYMBOLS -

40' B.S.L. 30' B.S.L. 40'  
DENOTES MINIMUM BUILDING SETBACK LINE

20' 10' 20'  
DENOTES DRAINAGE EASEMENT HEREBY CONVEYED TO COUNTY OF YORK

○ DENOTES IRON PIPE FOUND

○ DENOTES IRON PIPES TO BE SET AT ALL PROPERTY LINE JUNCTURES

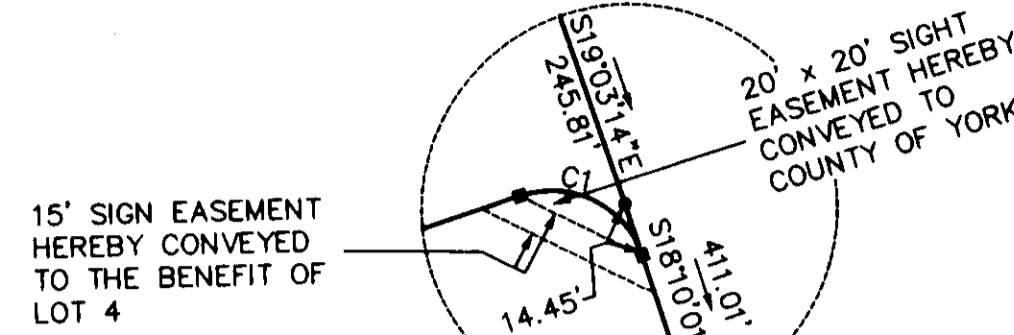
○ DENOTES IRON ROD FOUND

RPA DENOTES RESOURCE PROTECTION AREA

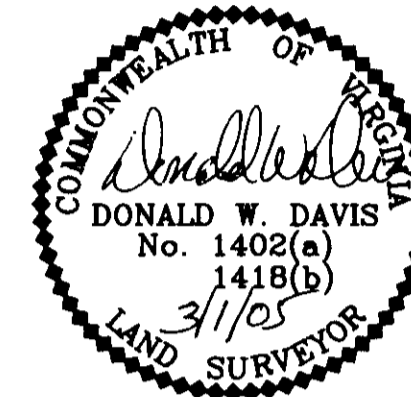
RMA DENOTES RESOURCE MANAGEMENT AREA

CURVE		DATA		TABLE		
NUMBER	DELTA ANGLE	RADIUS	ARC LENGTH	TANGENT	CHORD LENGTH	CHORD DIRECTION
C1	90°53'29"	25.00	39.66	25.39	35.63	S 63°36'41" E

LINE TABLE		
NUMBER	DIRECTION	DISTANCE
L1	N 79°00'31" E	10.08'
L2	S 19°03'29" E	245.70'
L3	S 78°21'11" W	10.08'
L4	S 18°10'01" E	14.45'



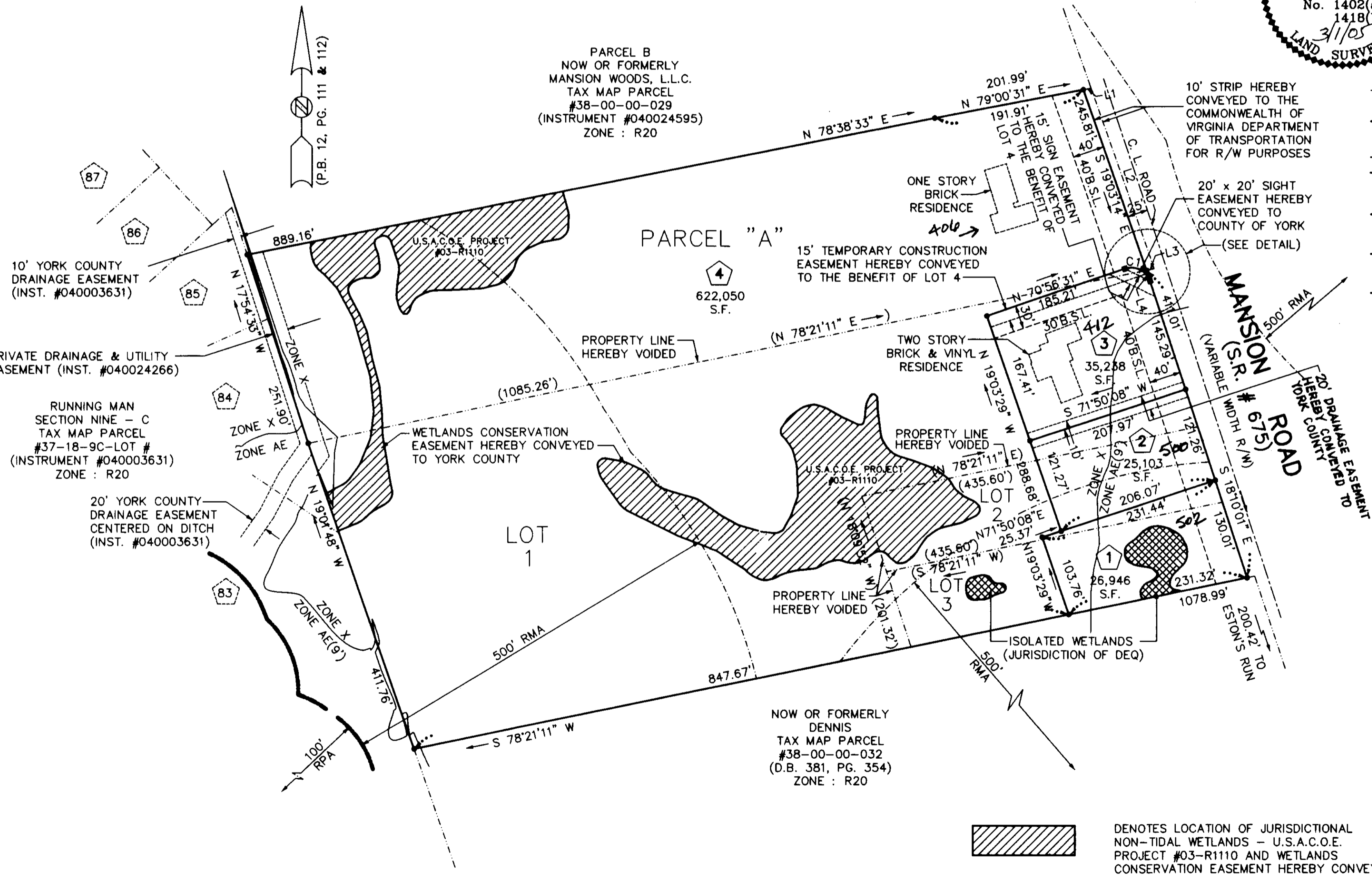
**DETAIL**  
SCALE : 1" = 50'



PARCEL B  
NOW OR FORMERLY  
MANSION WOODS, L.L.C.  
TAX MAP PARCEL  
#38-00-00-029  
(INSTRUMENT #040024595)  
ZONE : R20

PARCEL "A"

622,050  
S.F.



**APPROVED**

YORK COUNTY BOARD OF SUPERVISORS

BY: Al Maddalena  
PLAT APPROVING AGENT

DATE: 1/6/06

STATE OF VIRGINIA  
COUNTY OF YORK  
IN THE CLERK'S OFFICE OF THE YORK COUNTY  
-POQUOSON CIRCUIT COURT, VIRGINIA THE  
6th DAY OF Jan 2006, THIS MAP WAS  
PRESENTED AND ADMITTED TO RECORD AS  
THE LAW DIRECTS AS INSTRUMENT # 06000469  
11:53 AM

TESTE: Wynn S Jenkins  
CLERK

BY: Michael M. Chambers, Jr.

DENOTES LOCATION OF JURISDICTIONAL  
NON-TIDAL WETLANDS - U.S.A.C.O.E.  
PROJECT #03-R1110 AND WETLANDS  
CONSERVATION EASEMENT HEREBY CONVEYED  
TO YORK COUNTY

2006 JAN - 5 11:11:53