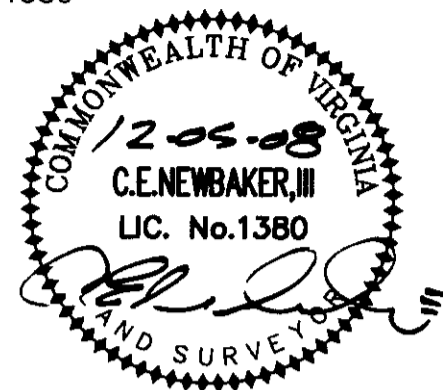


THE UNDERSIGNED CERTIFIES THAT THIS PLAN IS ACCURATE AND COMPLIES WITH THE PROVISIONS OF THE CODE OF VIRGINIA SECTION 55-79.58 (b) AND ALL UNITS DEPICTED HEREON HAVE BEEN SUBSTANTIALLY COMPLETED.

SIGNED: *C.E. Newbaker, III* DATE: 12-05-08
 C.E. NEWBAKER, III L.S.# 1380



HANDICAPPED ADAPTABLE UNIT

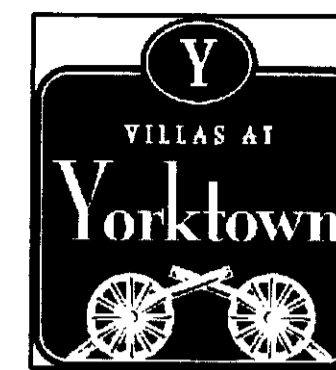
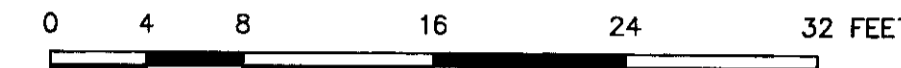


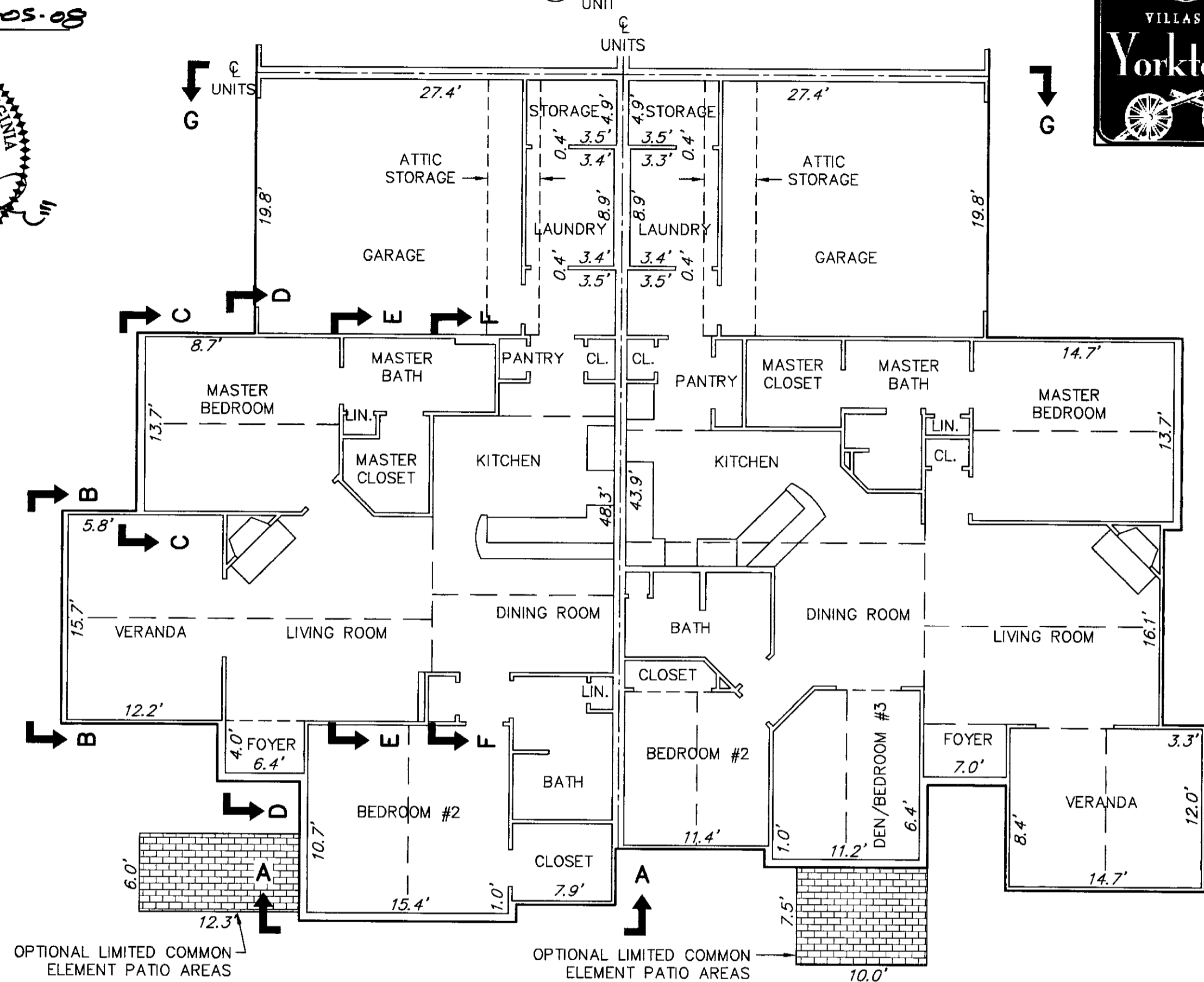
EXHIBIT "D"
PLAN OF THE
Villas at Yorktown
A CONDOMINIUM
PHASE II

NELSON DISTRICT - COUNTY OF YORK, VIRGINIA
 DECEMBER 2, 2008

C.E. Newbaker
 SURVEYING & PLANNING, INC.
 P.O. BOX 1298
 YORKTOWN, VA. 23692
 PH#: 757-240-2562
 FAX: 757-926-4880

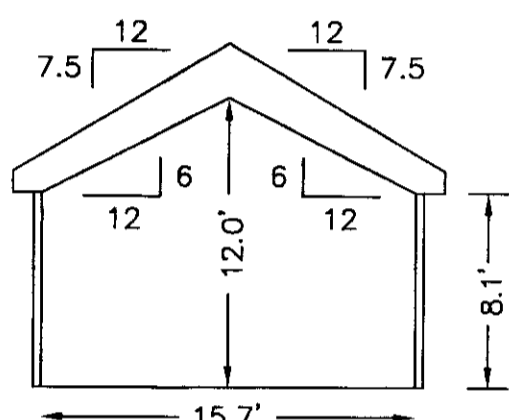


SCALE: 1/8" = 1'
SHEET 3 OF 9

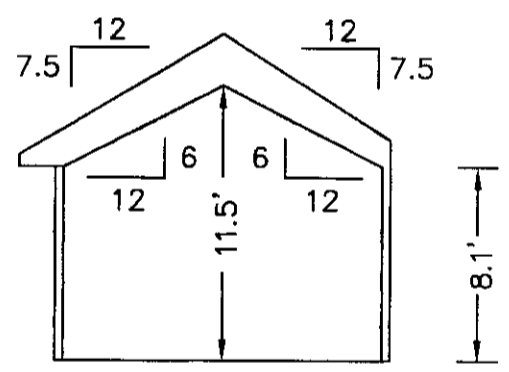


BUILDING 1-2 ABBEY
FLOOR PLAN

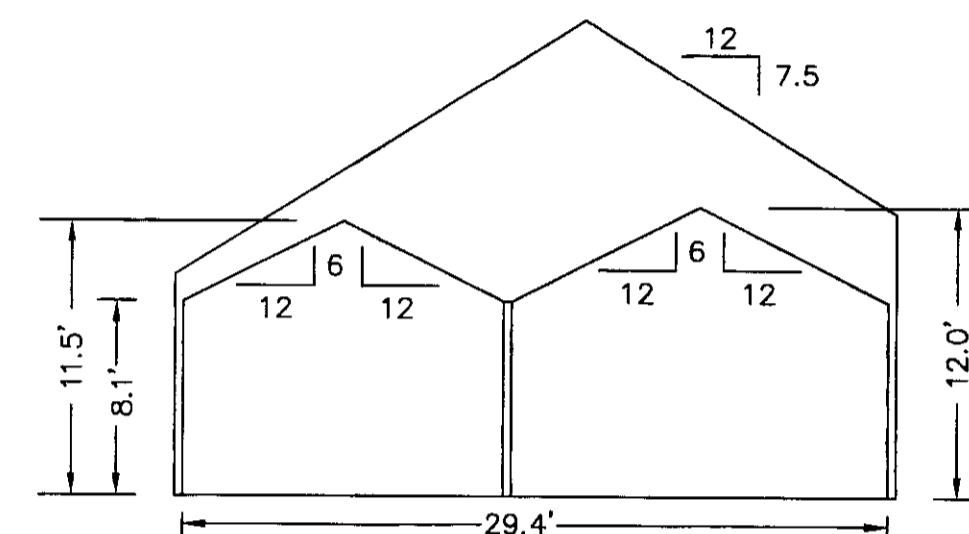
BUILDING 1-1 CANTERBURY
FLOOR PLAN



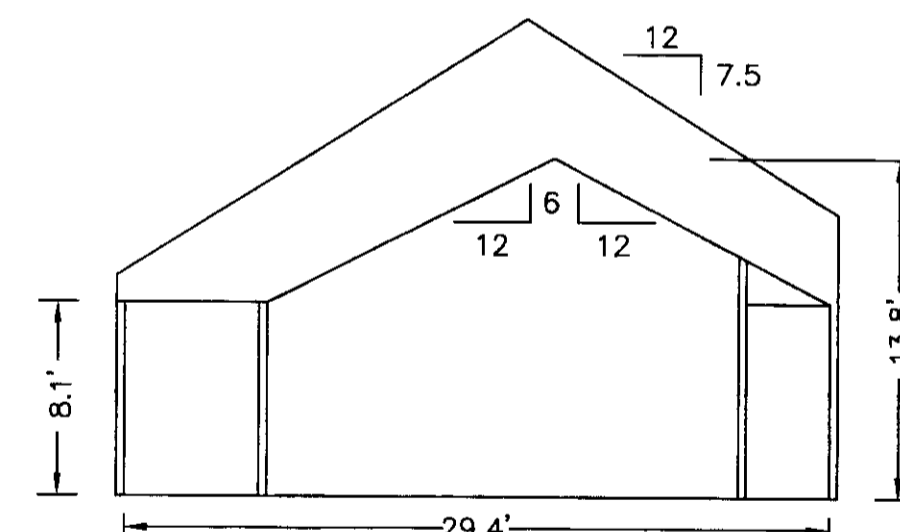
SECTION B-B
VERANDA



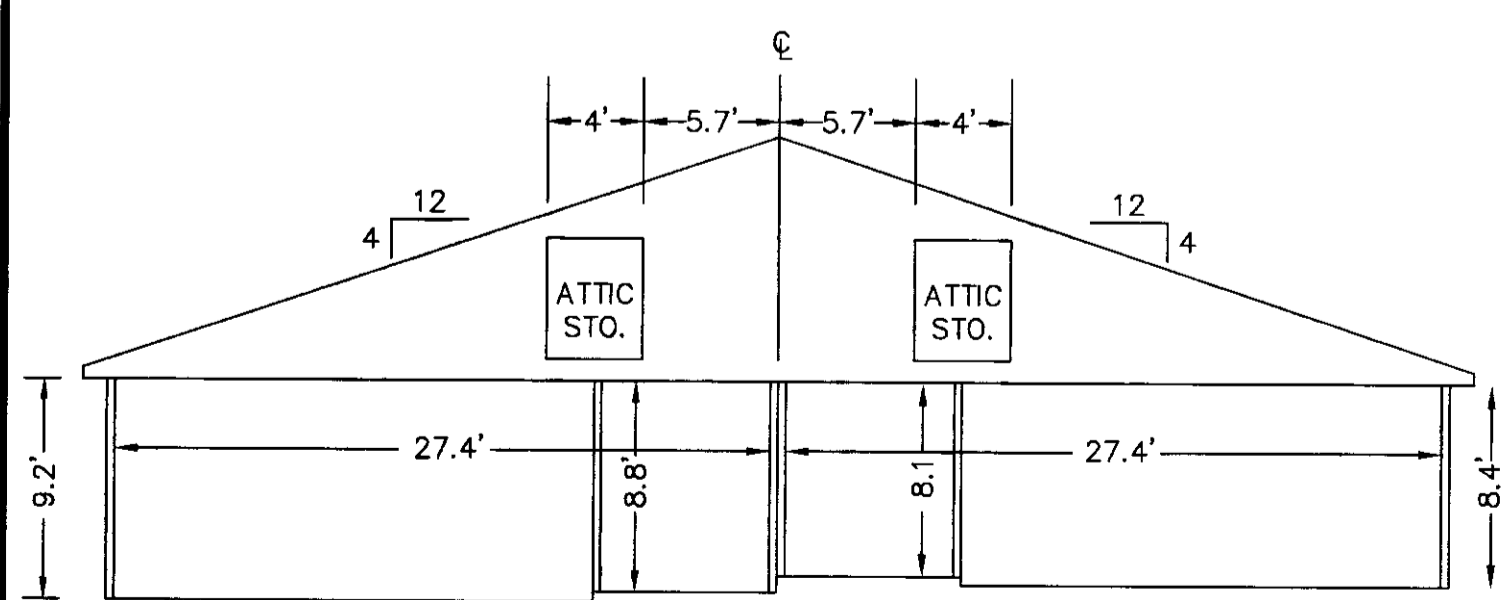
SECTION C-C



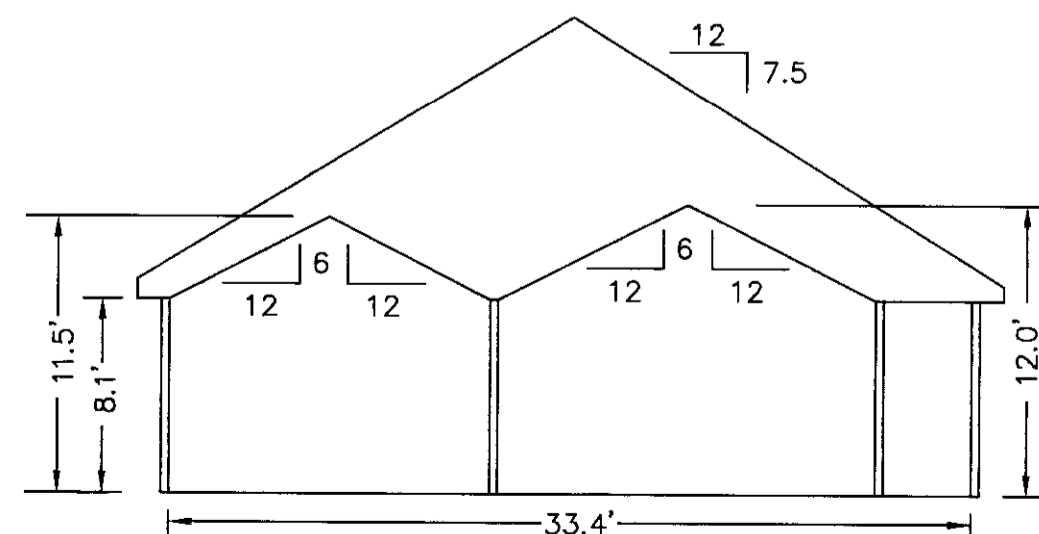
SECTION E-E



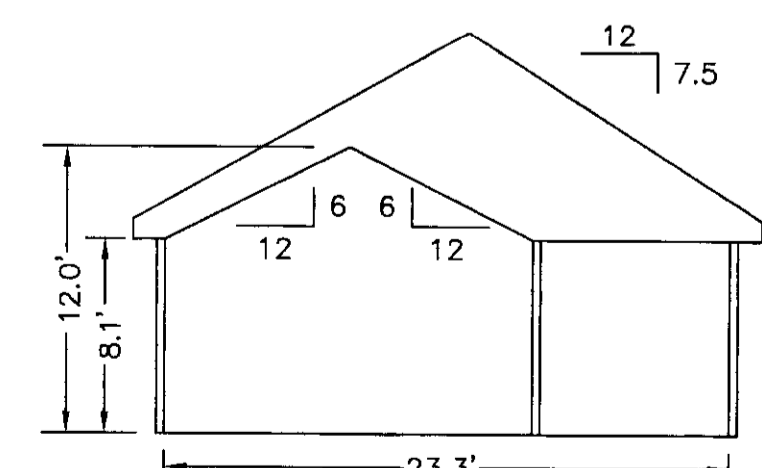
SECTION F-F



SECTION G-G
GARAGE



SECTION D-D



SECTION A-A

NOTES:
 1. ALL BUILDING DIMENSIONS SHOWN HEREON ARE INTERIOR DIMENSIONS AND ARE IN FEET.

APPROVED:
 YORK COUNTY BOARD OF SUPERVISORS
 BY: *Al Maddalena* DATE: 12/8/08
 PLAT APPROVING AGENT

STATE OF VIRGINIA
 COUNTY OF YORK
 IN THE CLERK'S OFFICE OF THE CIRCUIT COURT FOR
 THE COUNTY OF YORK-POQUOSON, VIRGINIA, THE
 9th DAY OF December 2008, THIS PLAT
 WAS PRESENTED AND ADMITTED TO RECORD AS THE
 LAW DIRECTS AS INSTRUMENT NUMBER **080027065**
 12:14pm

TESTE: **LYNN S. MENDIBUR, CLERK**
 CLERK
 BY: *Ronde S. Hughes DC.*