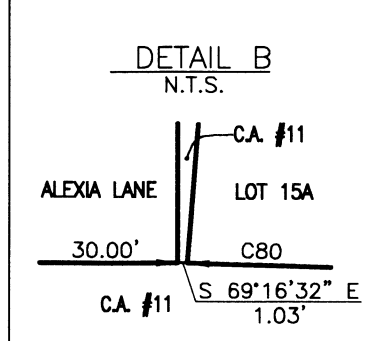
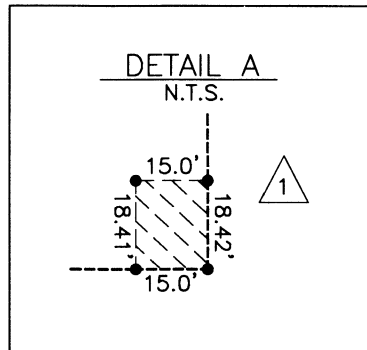


**LINE TABLE**

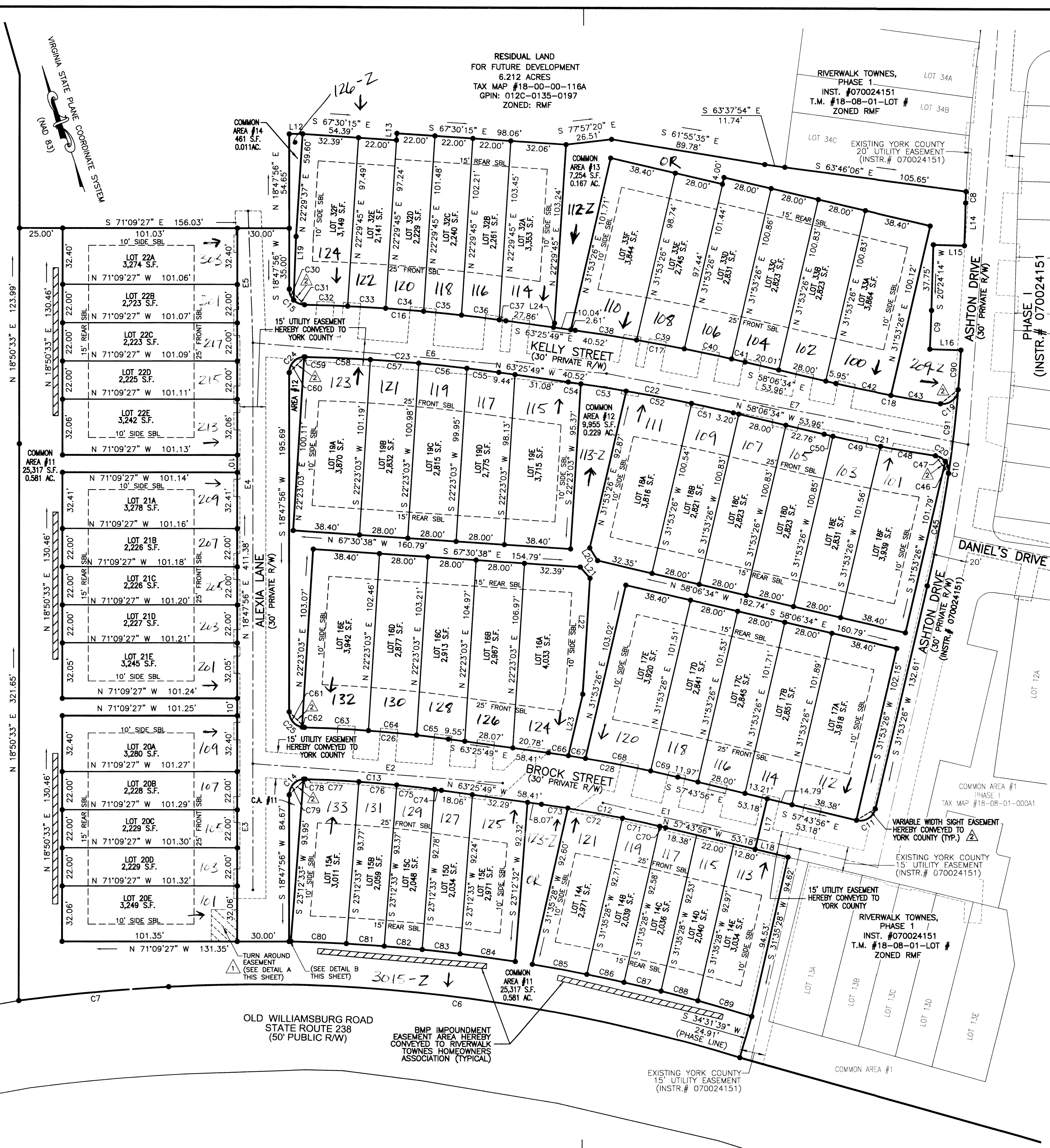
| LINE | BEARING       | DISTANCE |
|------|---------------|----------|
| L12  | S 71°12'04" E | 7.76'    |
| L13  | N 22°29'45" E | 4.00'    |
| L14  | S 20°24'14" W | 24.76'   |
| L15  | N 69°35'46" W | 18.00'   |
| L16  | S 69°35'46" E | 18.01'   |
| L17  | S 32°16'25" W | 30.00'   |
| L18  | S 57°43'56" E | 19.60'   |
| L19  | N 20°53'36" E | 36.51'   |
| L20  | S 13°06'34" E | 8.56'    |
| L21  | S 22°30'38" E | 8.51'    |
| L22  | S 22°23'03" W | 67.26'   |
| L23  | S 31°53'26" W | 36.58'   |
| L24  | S 31°53'26" W | 2.49'    |

**SANITARY EASEMENT LINE TABLE**

| LINE | BEARING       | DISTANCE |
|------|---------------|----------|
| E1   | N 58°04'49" W | 117.26'  |
| E2   | N 66°49'12" W | 144.94'  |
| E3   | N 18°47'56" E | 72.96'   |
| E4   | N 18°47'56" E | 242.87'  |
| E5   | N 16°41'25" E | 75.86'   |
| E6   | S 66°21'15" E | 205.30'  |
| E7   | S 60°17'14" E | 213.01'  |



N/F  
USA  
GPIN: N12D-2674-1531  
TAX MAP: 12-00-00-002  
ZONED: RC

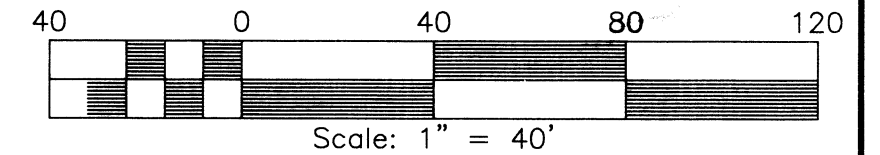


SUBDIVISION PLAT OF  
**RIVERWALK TOWNES**  
PHASE IV  
NELSON MAGISTERIAL DISTRICT  
YORK COUNTY, VIRGINIA

DATE: 06/10/09 SCALE: 1"=40' JOB #07-130  
REV: 01/13/10  
SHEET 3 OF 3

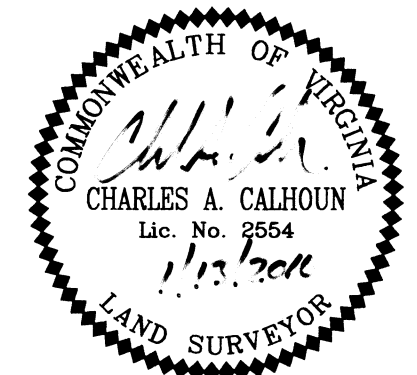
**LandTech Resources, Inc.**  
Surveying • Engineering • GPS

205-E Bulifants Blvd., Williamsburg, VA 23188  
Phone: (757) 565-1677 Fax: (757) 565-0782  
web: landtechresources.com



**LEGEND**

- DENOTES IRON ROD SET UNLESS OTHERWISE NOTED
- IPF = IRON PIPE FOUND
- IRF = IRON ROD FOUND
- CMF = CONCRETE MONUMENT FOUND
- ▨ BMP IMPOUNDMENT EASEMENT AREA HEREBY CONVEYED TO RIVERWALK TOWNES HOMEOWNERS ASSOCIATION
- ▲ TURN AROUND EASEMENT FOR EMERGENCY VEHICLES HEREBY CONVEYED TO YORK COUNTY
- ◀ VARIABLE WIDTH SIGHT EASEMENT HEREBY CONVEYED TO YORK COUNTY



**APPROVED:**  
**YORK COUNTY BOARD OF SUPERVISORS**

BY: *[Signature]*  
PLAT APPROVING AGENT  
DATE: **4-8-2010**

STATE OF VIRGINIA  
COUNTY OF YORK  
IN THE CLERK'S OFFICE OF THE CIRCUIT COURT FOR THE  
COUNTY OF YORK-POQUOSON THE 8th DAY OF April  
2010. THIS PLAT WAS PRESENTED AND ADMITTED TO RECORD  
AS THE LAW DIRECTS AS INSTRUMENT NO. 100005822  
10:10am

TESTE: *Lynn S. Mendibar*  
CLERK  
BY: *Shirley W. Hines, D.C.*