

THE UNDERSIGNED CERTIFIES THAT THIS PLAN IS ACCURATE AND COMPLIES WITH THE PROVISIONS OF THE CODE OF VIRGINIA SECTION 55-79.58 (b) AND ALL UNITS DEPICTED HEREON HAVE BEEN SUBSTANTIALLY COMPLETED.

SIGNED: *C.E. Newbaker, III* DATE: 7-29-2010
 C.E. NEWBAKER, III L.S.# 1380

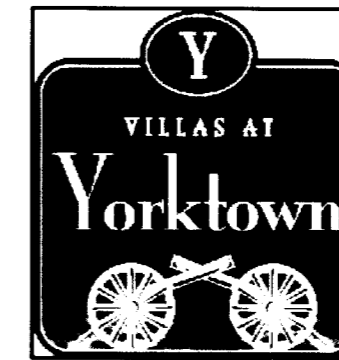
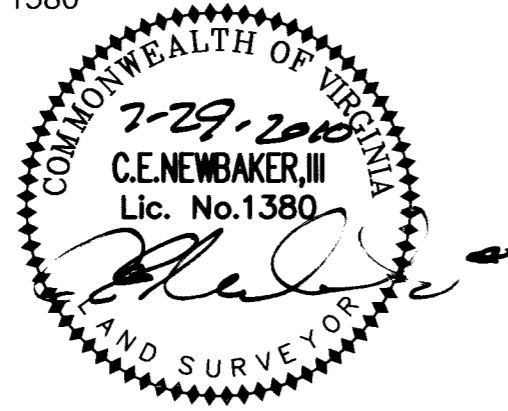
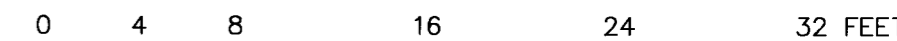


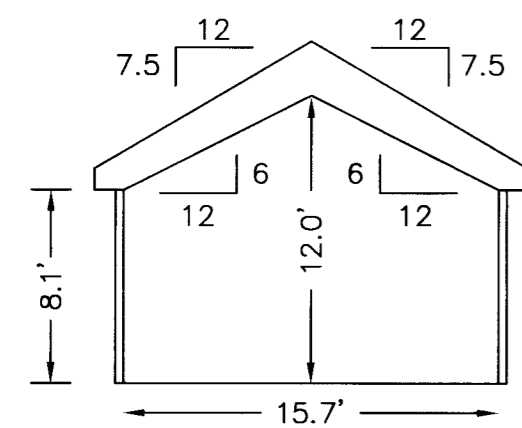
EXHIBIT "D"
PLAN OF THE
Villas at Yorktown
A CONDOMINIUM
PHASE VIII

NELSON DISTRICT - COUNTY OF YORK, VIRGINIA
 JUNE 14, 2010

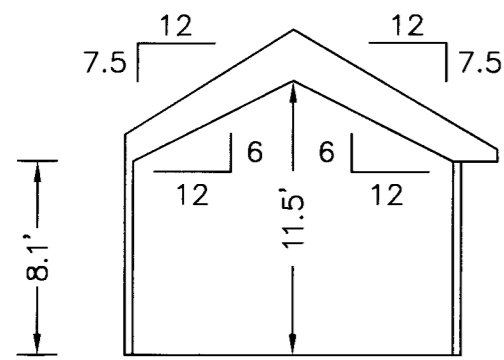
C.E. Newbaker
 SURVEYING & PLANNING, INC.
 P.O. BOX 1298
 YORKTOWN, VA. 23692
 PH#: 757-240-2562
 FAX: 757-926-4880



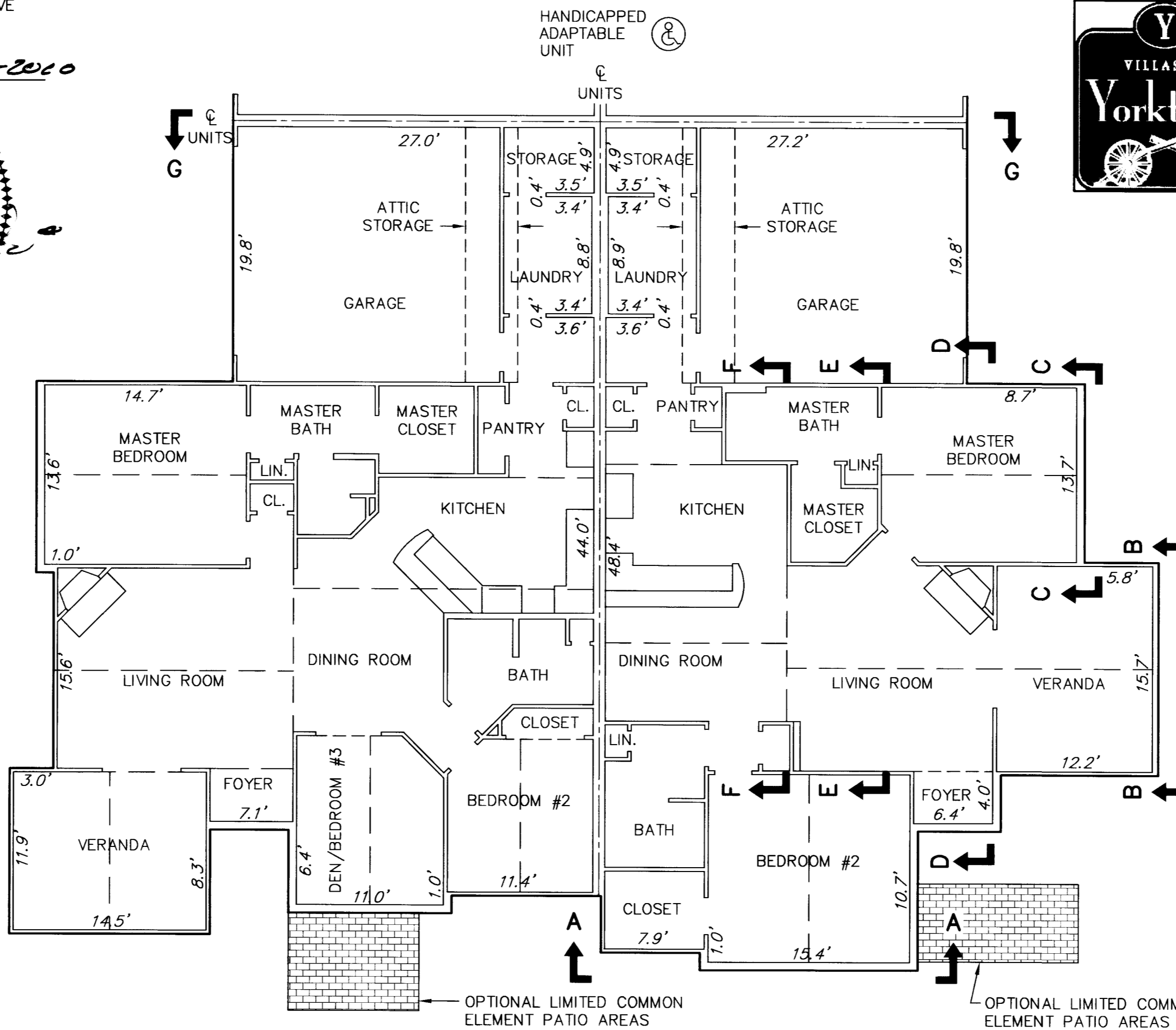
SCALE: 1/8" = 1'
SHEET 3 OF 5



SECTION B-B
VERANDA

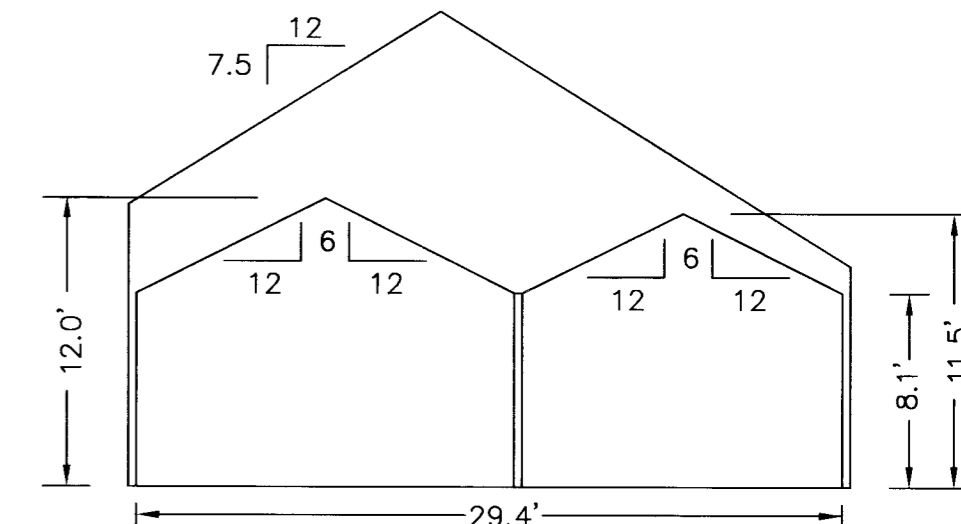


SECTION C-C

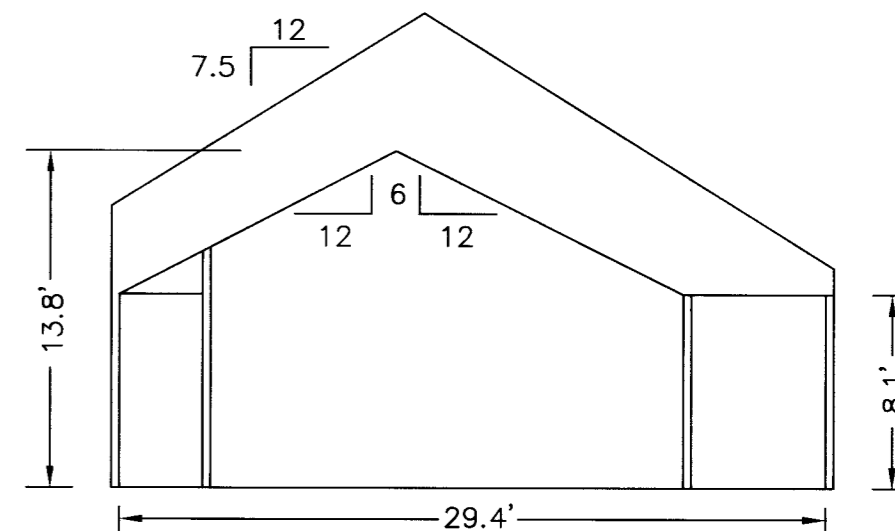


BUILDING 12-1 CANTERBURY
FLOOR PLAN

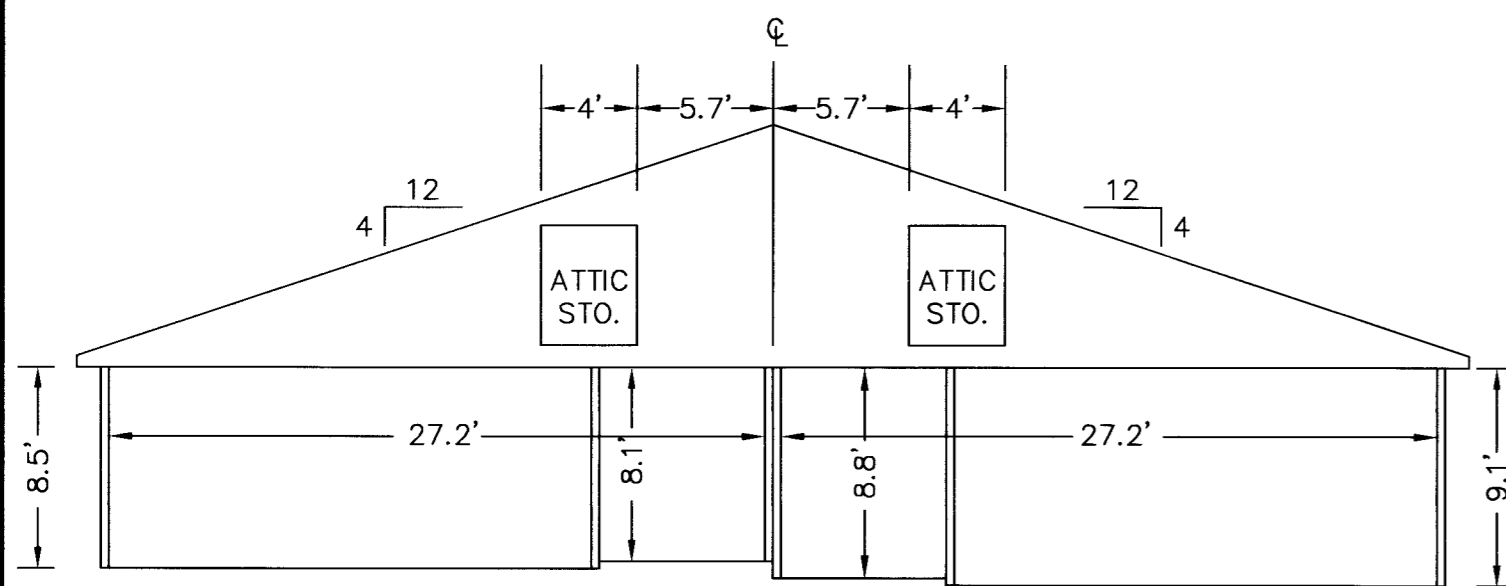
BUILDING 12-4 ABBEY
FLOOR PLAN



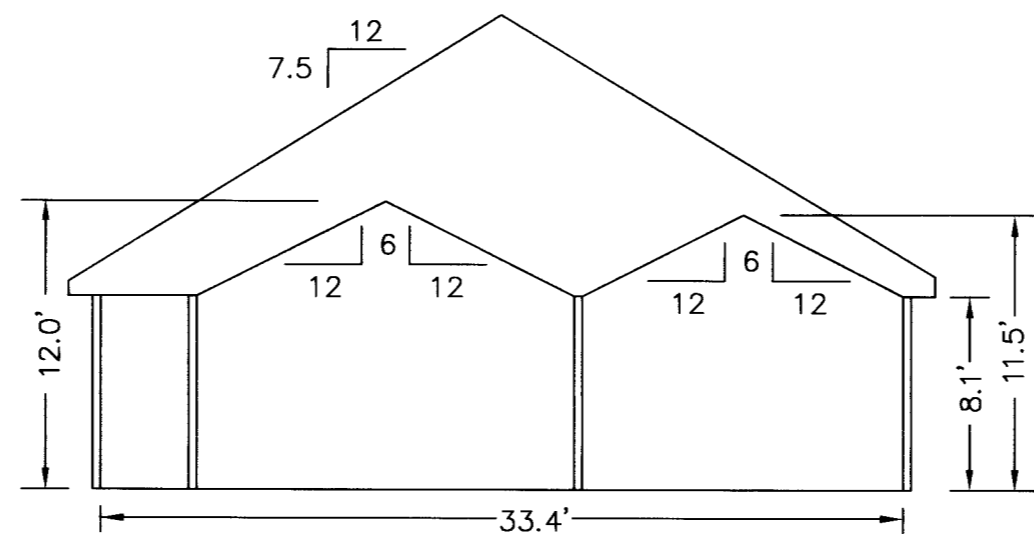
SECTION E-E



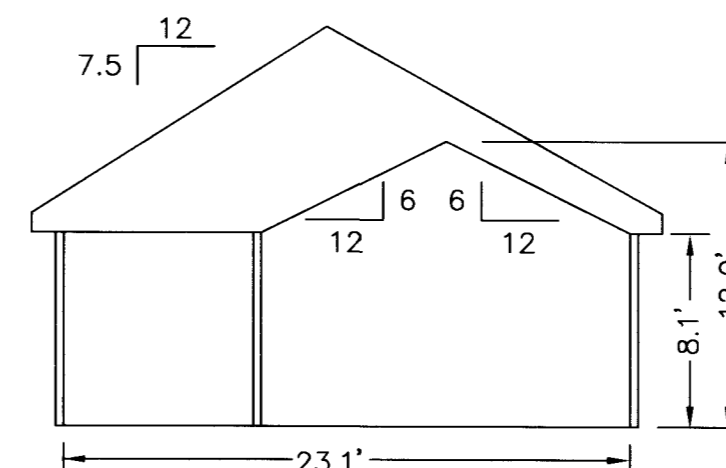
SECTION F-F



SECTION G-G
GARAGE



SECTION D-D



SECTION A-A

NOTES:
 1. ALL BUILDING DIMENSIONS SHOWN HEREON ARE INTERIOR DIMENSIONS AND ARE IN FEET.

APPROVED:
 YORK COUNTY BOARD OF SUPERVISORS
 BY: *Al Maddalena* DATE: 8/4/10
 PLAT APPROVING AGENT

STATE OF VIRGINIA
 COUNTY OF YORK
 IN THE CLERK'S OFFICE OF THE CIRCUIT COURT FOR
 THE COUNTY OF YORK-POQUOSON, VIRGINIA, THE
 DAY OF August, 2010, THIS PLAT
 WAS PRESENTED AND ADMITTED TO RECORD AS THE
 LAW DIRECTS AS INSTRUMENT NUMBER 00017564
 1:46 pm

TESTE: *Lynn S. Mendibur*
 CLERK

BY: *Joey Brogdon, D.C.*