

THE UNDERSIGNED CERTIFIES THAT THIS PLAN IS ACCURATE AND COMPLIES WITH THE PROVISIONS OF THE CODE OF VIRGINIA SECTION 55-79.58 (b) AND ALL UNITS DEPICTED HEREON HAVE BEEN SUBSTANTIALLY COMPLETED.

SIGNED: C.E. NEWBAKER, III L.S.# 1380 DATE: 5-23-2011

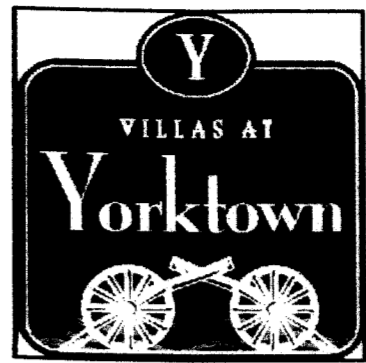
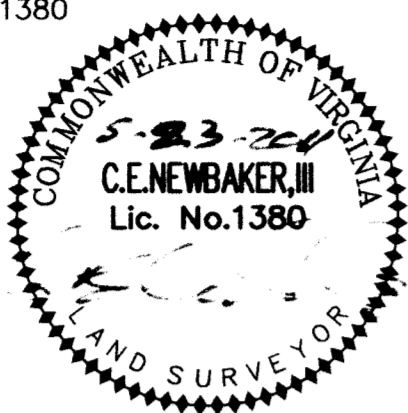
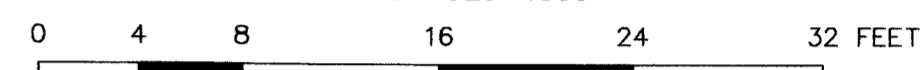


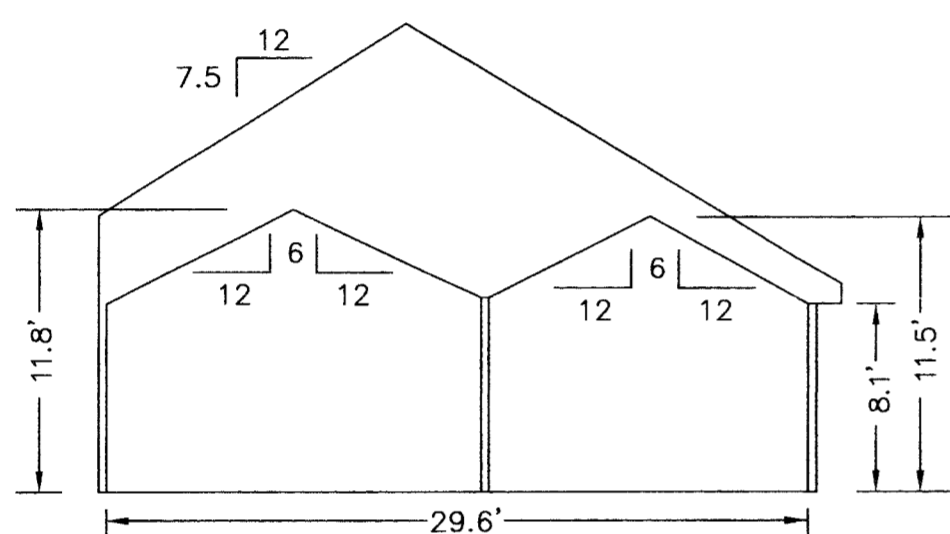
EXHIBIT "D"
PLAN OF THE
Villars at Yorktown
A CONDOMINIUM
PHASE XI

NELSON DISTRICT - COUNTY OF YORK, VIRGINIA
APRIL 29, 2011

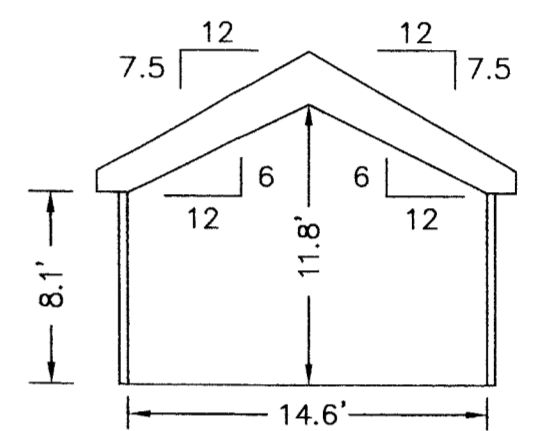
C.E. Newbaker
SURVEYING & PLANNING, INC.
P.O. BOX 1298
YORKTOWN, VA. 23692
PH#: 757-240-2562
FAX: 757-926-4880



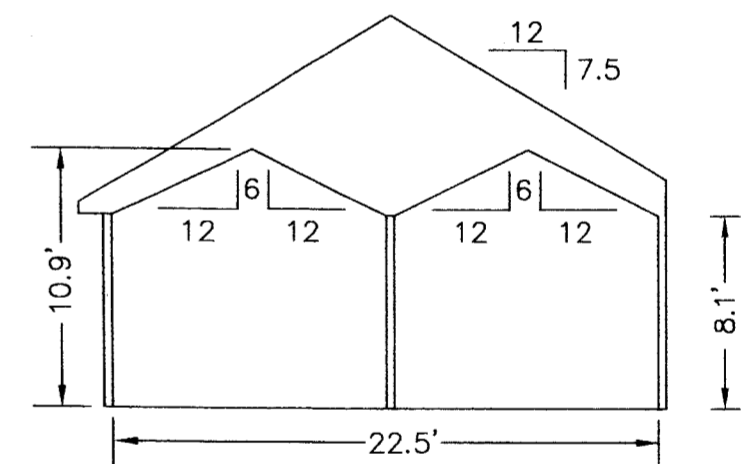
SCALE: 1/8" = 1'
SHEET 2 OF 7



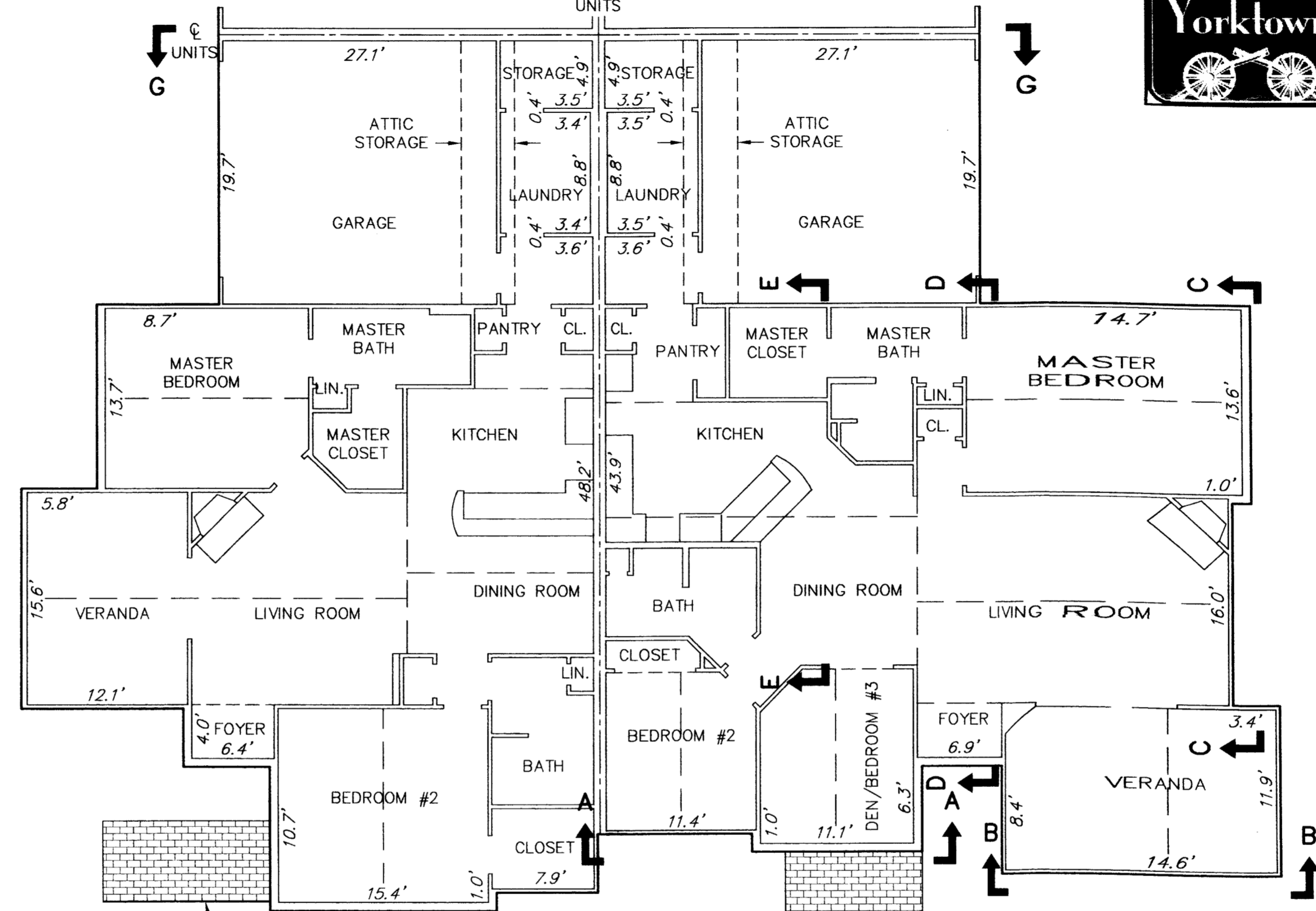
SECTION C-C



SECTION B-B
VERANDA

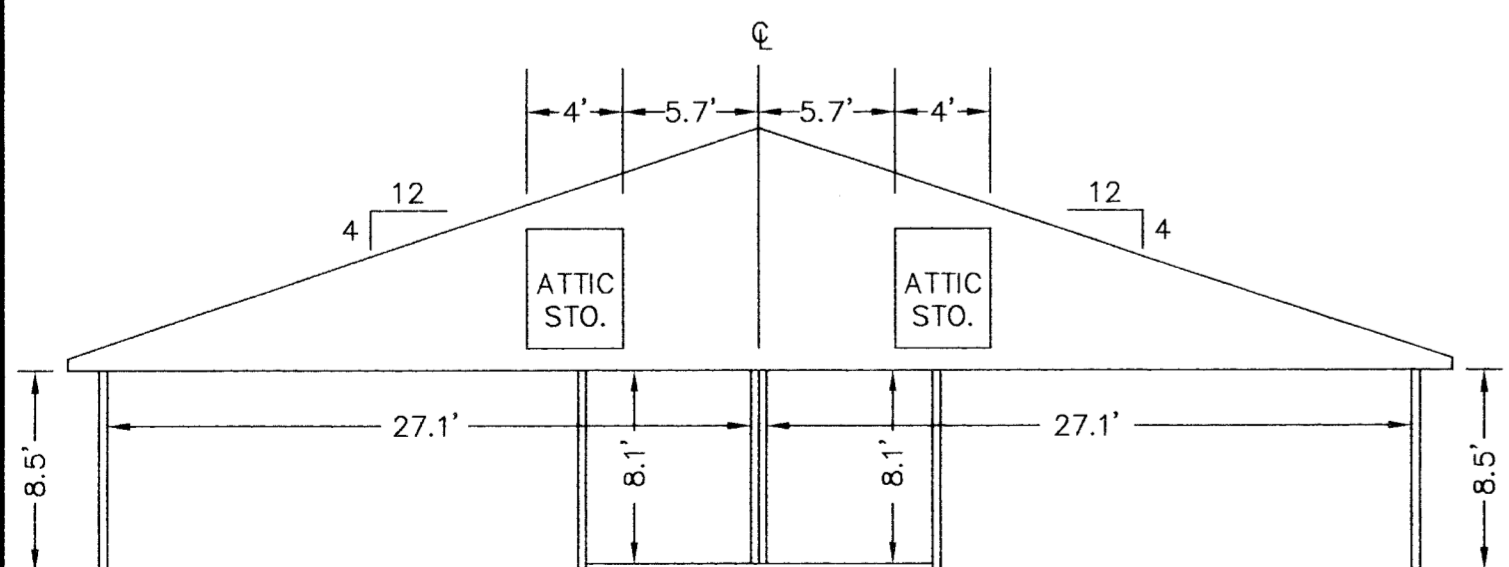


SECTION A-A

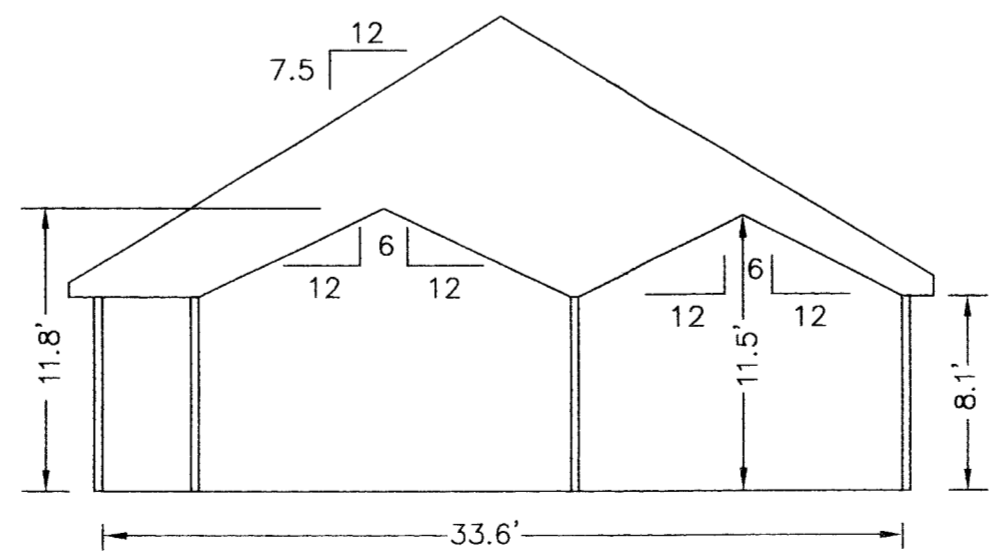


BUILDING 10-2 & 10-4 ABBEY
FLOOR PLAN

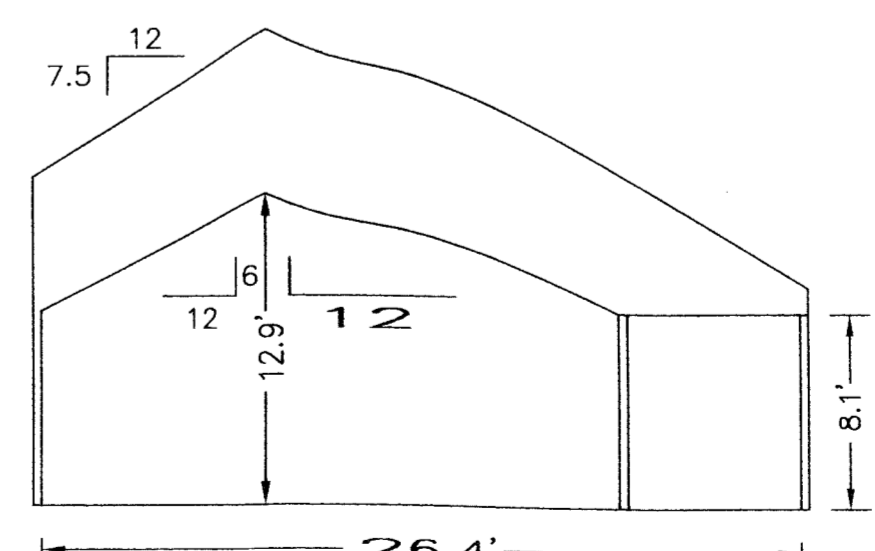
BUILDING 10-1 & 10-3 CANTERBURY
FLOOR PLAN



SECTION G-G
GARAGE



SECTION D-D



SECTION E-E

NOTES:
1. ALL BUILDING DIMENSIONS SHOWN HEREON ARE INTERIOR DIMENSIONS AND ARE IN FEET.

APPROVED:
YORK COUNTY BOARD OF SUPERVISORS
BY: M. Maddalena DATE: 5/25/11
PLAT APPROVING AGENT

STATE OF VIRGINIA
COUNTY OF YORK
IN THE CLERK'S OFFICE OF THE CIRCUIT COURT FOR THE COUNTY OF YORK-POQUOSON, VIRGINIA, THE DAY OF May, 2011, THIS PLAT WAS PRESENTED AND ADMITTED TO RECORD AS THE LAW DIRECTS AS INSTRUMENT NUMBER R110008134

TESTE: Lynn S. Mentibur CLERK
BY: W. J. Proader, D.C.