

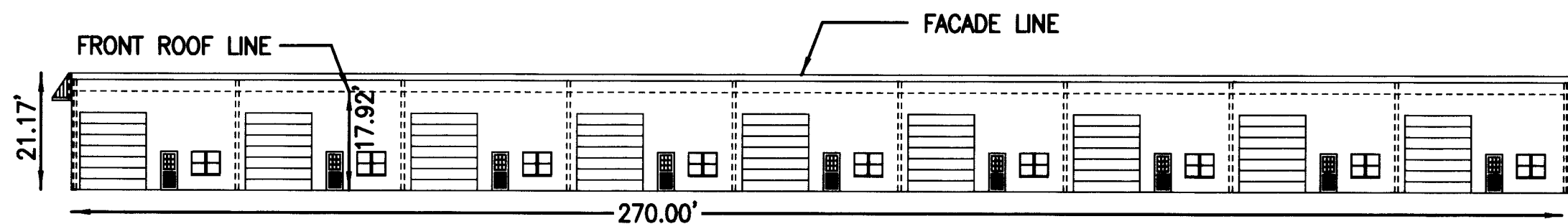
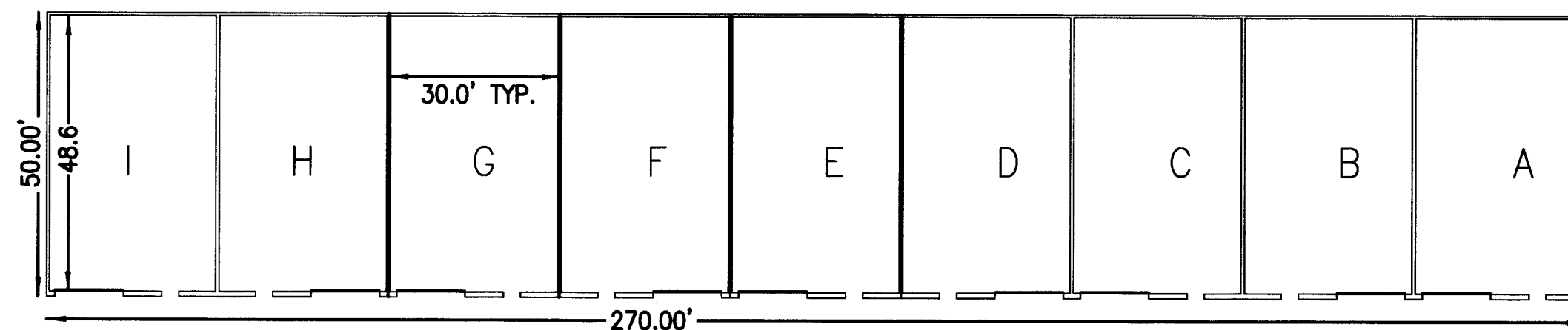
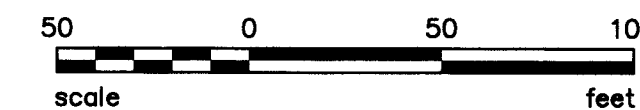
BUILDING #326

EXHIBIT "C"
PLAN OF
YORKTOWN COMMERCE CENTER
A CONDOMINIUM
PHASE 2

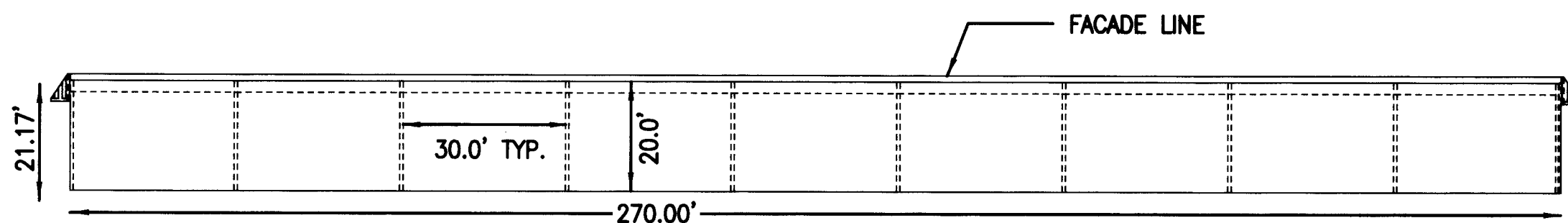
YORKTOWN, VIRGINIA
NELSON MAGISTERIAL DISTRICT
DATE: 4/23/13
REV: 5/23/13
SCALE: 1"=50'
JOB# 3311.0-13

**PARRISH
LAYNE**
DESIGN GROUP
Engineers • Surveyors • Planners
P.O. Box 9164, Chesapeake, VA 23321
Phone: 757.686.3345 Fax: 757.686.3348

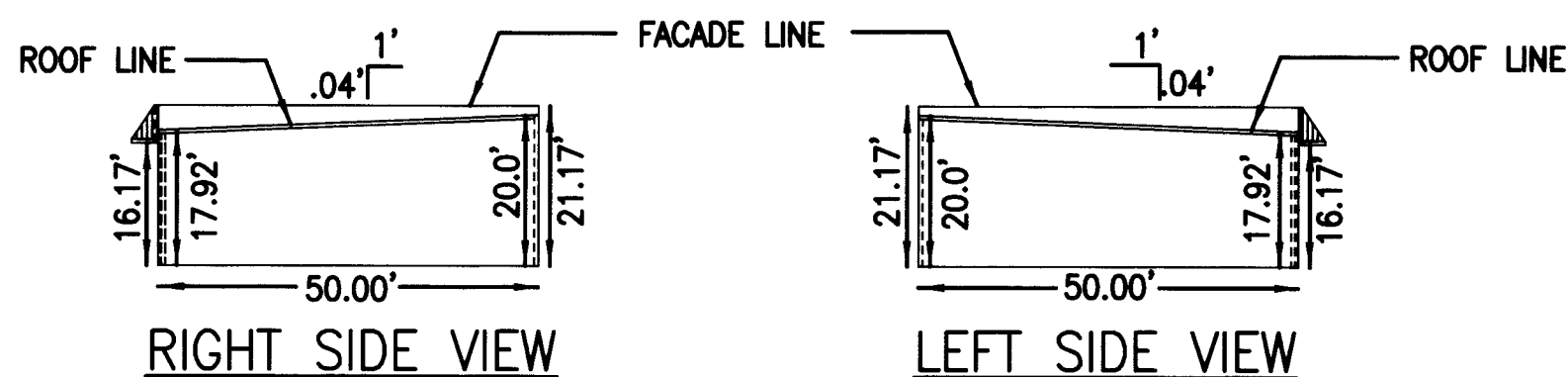
SHEET 3 OF 3



FRONT VIEW



REAR VIEW

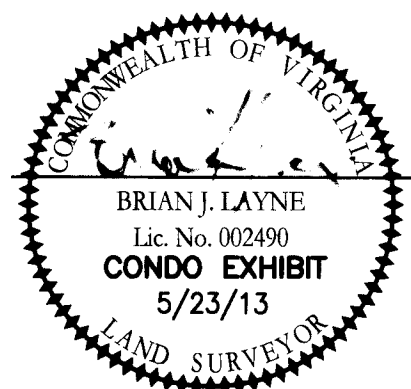


RIGHT SIDE VIEW

LEFT SIDE VIEW

ALL BUILDING DIMENSIONS ARE IN FEET

I CERTIFY THAT THESE PLANS ARE ACCURATE AND COMPLIES WITH THE PROVISIONS OF SECTION 55-79.58(b) OF THE CODE OF VIRGINIA OF 1950 AS AMENDED AND ALL UNITS SHOWN HEREON HAVE BEEN SUBSTANTIALLY COMPLETED.



APPROVED:
YORK COUNTY BOARD OF SUPERVISORS

BY: [Signature]
PLAT APPROVING AGENT

DATE: 5/23/13

STATE OF VIRGINIA
COUNTY OF YORK
IN THE CLERK'S OFFICE OF THE CIRCUIT COURT FOR THE
COUNTY OF YORK-POQUOSON THIS 29th DAY OF MAY 2013,
THIS PLAT WAS PRESENTED AND ADMITTED TO RECORD AS
THE LAW DIRECTS AS INSTRUMENT NO. 2013-000794

TESTE: [Signature]
CLERK

BY: [Signature]