

CERTIFICATE of APPROVAL

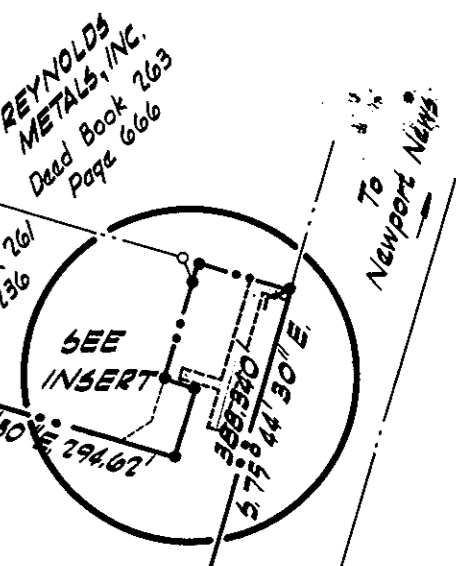
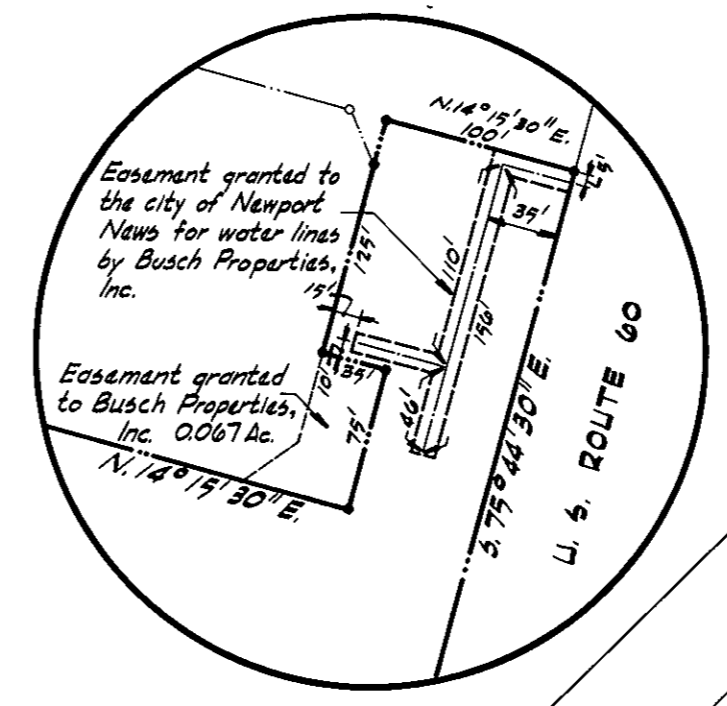
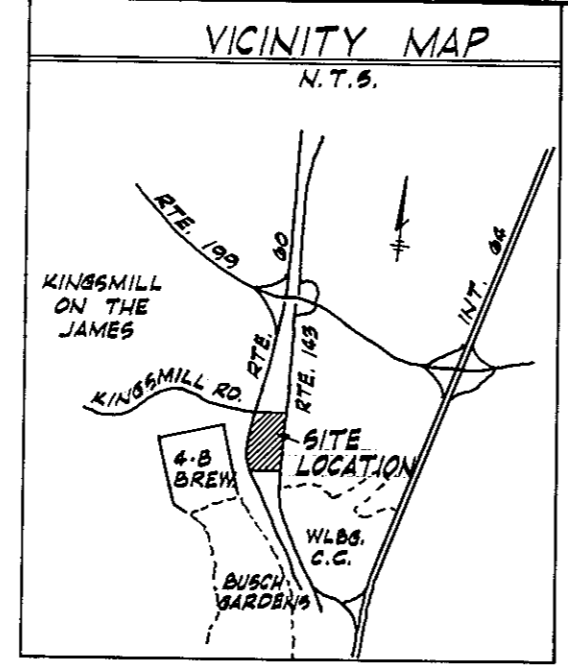
This subdivision approved by the undersigned in accordance with existing subdivision regulations and may be committed to record.

Date: May 24, 1978 D. C. King Agent of Governing Body

STATE of VIRGINIA, COUNTY of YORK

In the Clerk's Office of the Circuit Court of the County of York this 2nd day of June, 1978. The map shown hereon was presented and admitted to the record as the law directs.

Teste: Edith M. Elliott, Clerk
Barbara King & c.
 Plat Book: 9, Page 240



This Subdivision of Property of Busch-Properties, Inc., York County, Virginia, as the same appears on this plat is with free consent and in accordance with the desires of the undersigned owner.

BUSCH PROPERTIES, INCORPORATED

By: J. W. Gillespie Vice President
 Attest: John L. Hayward Secretary

State of: Missouri
 City of: St. Louis
 to wit:
John C. Martz Jr, a Notary Public in and for the City and State aforesaid, do hereby certify that J.W. Gillespie, Vice-President and John L. Hayward, Secretary whose names are signed to the foregoing writing, bearing date on this 15th day of December, 1976 have acknowledged the same before me in my City and State aforesaid.
 Given unto my hand this 15th day of December, 1976.
John C. Martz Jr.
 My Commission Expires February 17, 1978

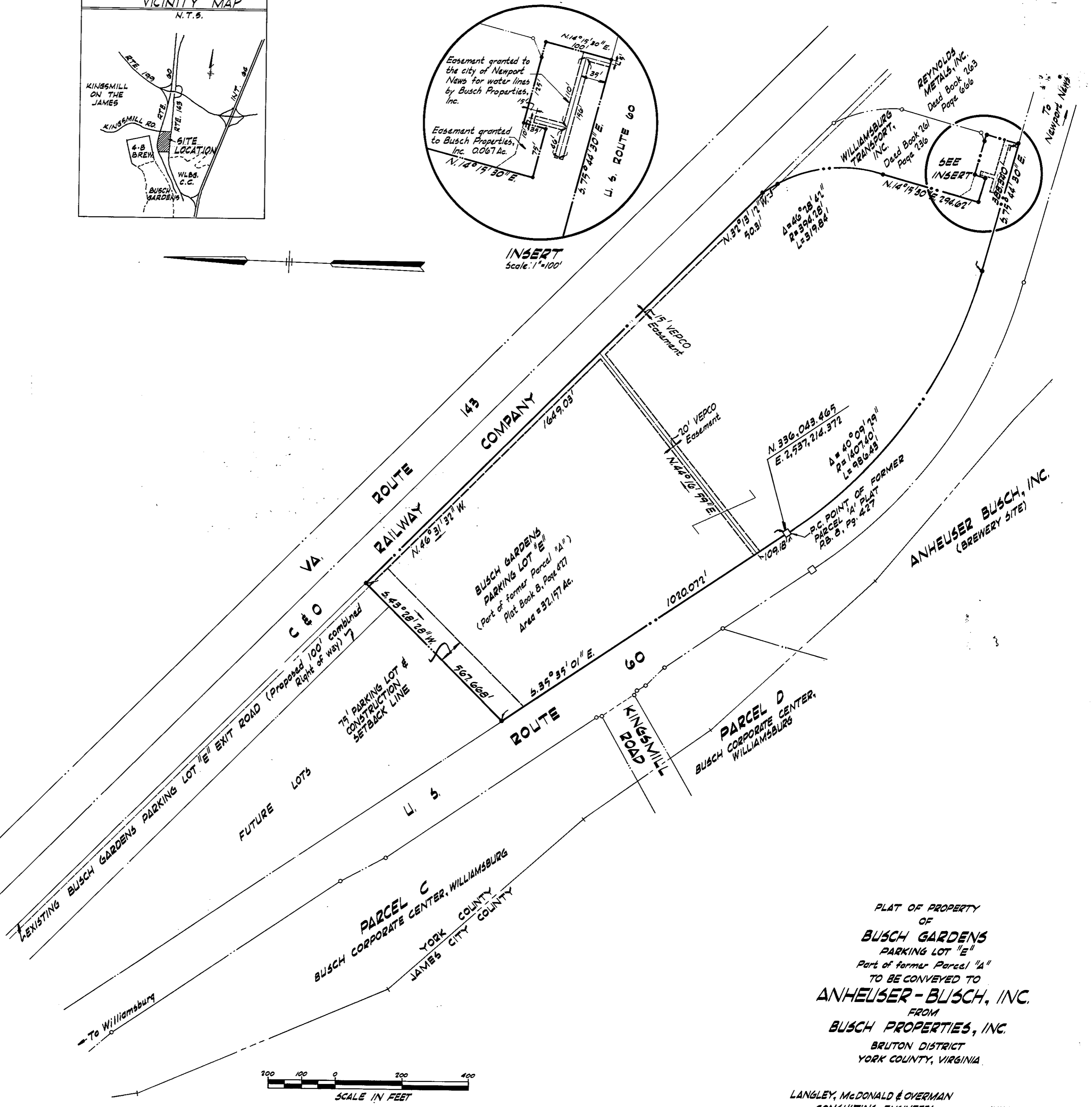
I certify that this plat was made by me at the direction of the owner, and that the subdivision is entirely within the boundaries of land covered by plat duly of record in the Clerk's Office of the Circuit Court of York County in Plat Book 8, Page 427. This subdivision as it appears on this plat conforms to the applicable regulations relating to the subdivision of land.

LANGLEY, McDONALD & OVERMAN
 By: George E. Langley 7/9/76
 11-30-76



- Denotes Iron Pin Set
- Denotes Existing Conc. Monument

Note:
 Coordinates are in feet and refer to the Virginia Grid System South Zone.



PLAT OF PROPERTY OF
BUSCH GARDENS
 PARKING LOT "E"
 Part of former Parcel "A"
 TO BE CONVEYED TO
ANHEUSER-BUSCH, INC.
 FROM
BUSCH PROPERTIES, INC.
 BRUTON DISTRICT
 YORK COUNTY, VIRGINIA

LANGLEY, McDONALD & OVERMAN
 CONSULTING ENGINEERS
 VIRGINIA BEACH, VIRGINIA
 JULY 2, 1976
 REVISED NOV. 30, 1976
 4-27-78