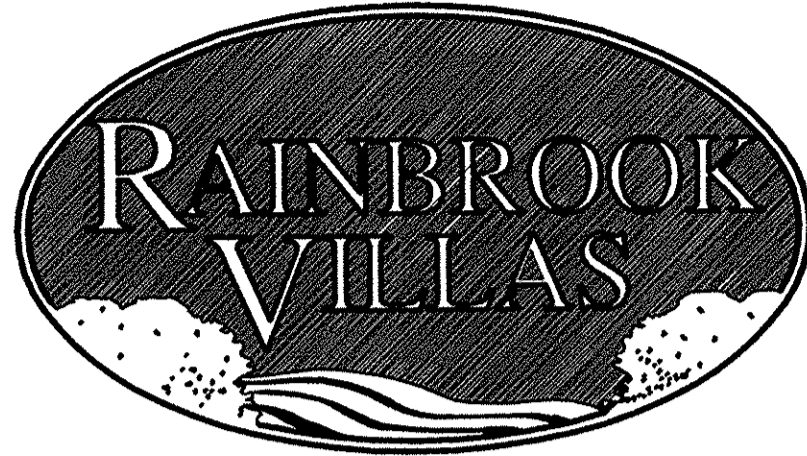


57

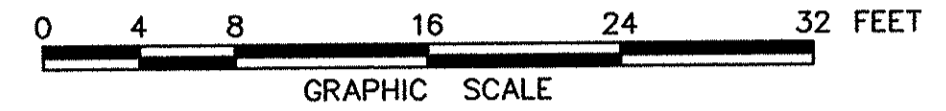
THE UNDERSIGNED CERTIFIES THAT THIS PLAN IS ACCURATE AND COMPLIES WITH THE PROVISIONS OF THE CODE OF VIRGINIA SECTION 55-79.58 (b) AND ALL UNITS DEPICTED HEREON HAVE BEEN SUBSTANTIALLY COMPLETED.

SIGNED: C.L. Pittman DATE: 7/18/2001  
C.L. PITTMAN, P.E.

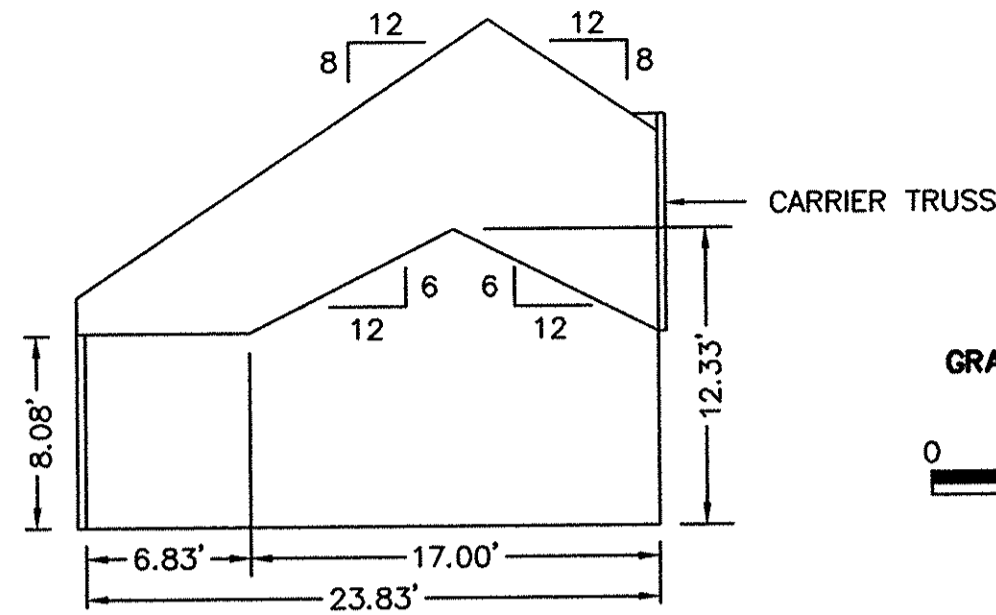


**EXHIBIT "D"**  
PLAT OF  
**RAINBROOK VILLAS**  
A CONDOMINIUM  
PHASE IX  
SHEET 3 OF 4

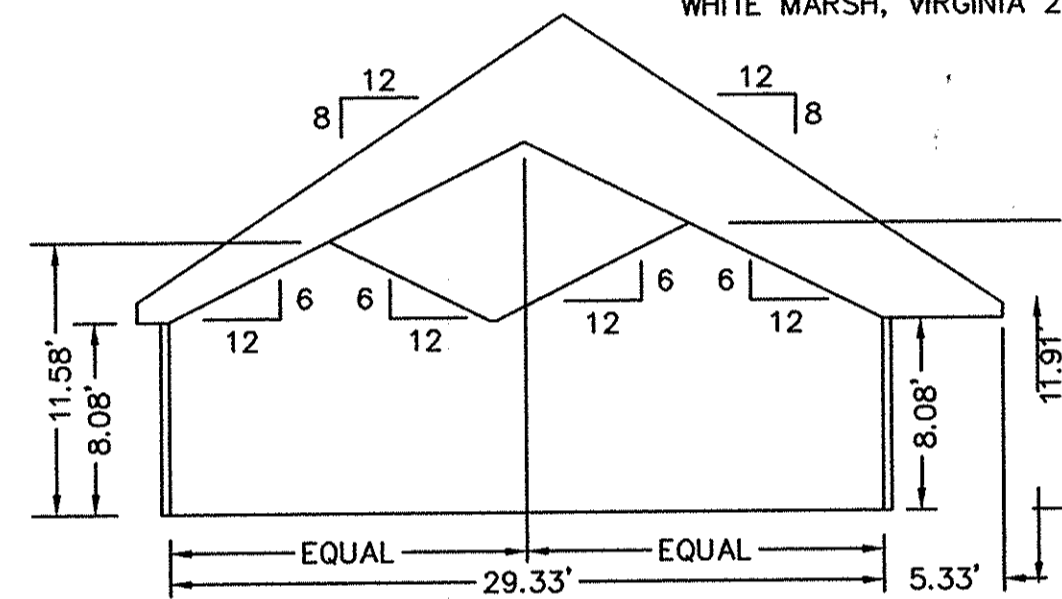
GRAFTON DISTRICT - COUNTY OF YORK, VIRGINIA  
SCALE: 1/8" = 1'-0" JULY 10, 2001



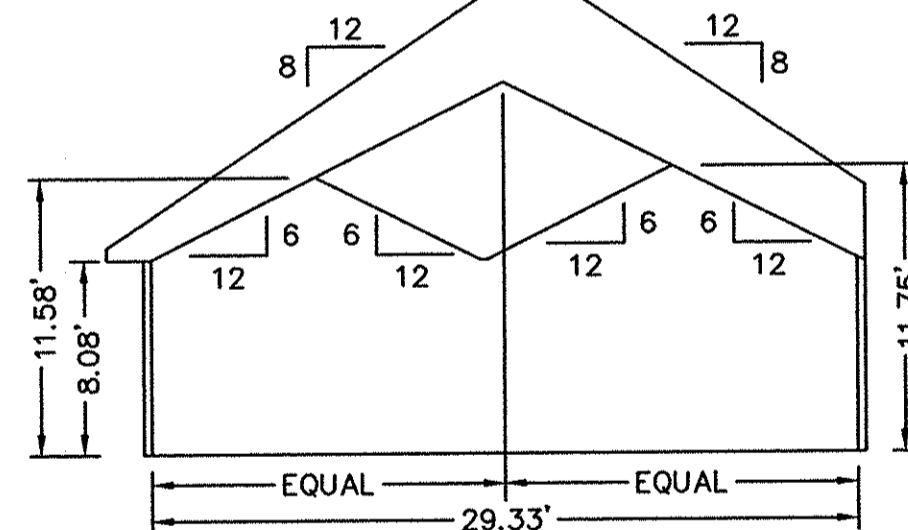
**THE SIRINE GROUP, LTD.**  
SURVEYORS • ENGINEERS • PLANNERS  
4794 GEORGE WASHINGTON MEMORIAL HIGHWAY  
U.S. ROUTE 17  
P.O. BOX 450  
WHITE MARSH, VIRGINIA 23183



**SECTION E-E**



**SECTION D-D**



**SECTION C-C**

APPROVED:  
YORK COUNTY BOARD OF SUPERVISORS

BY: Al Maddalena

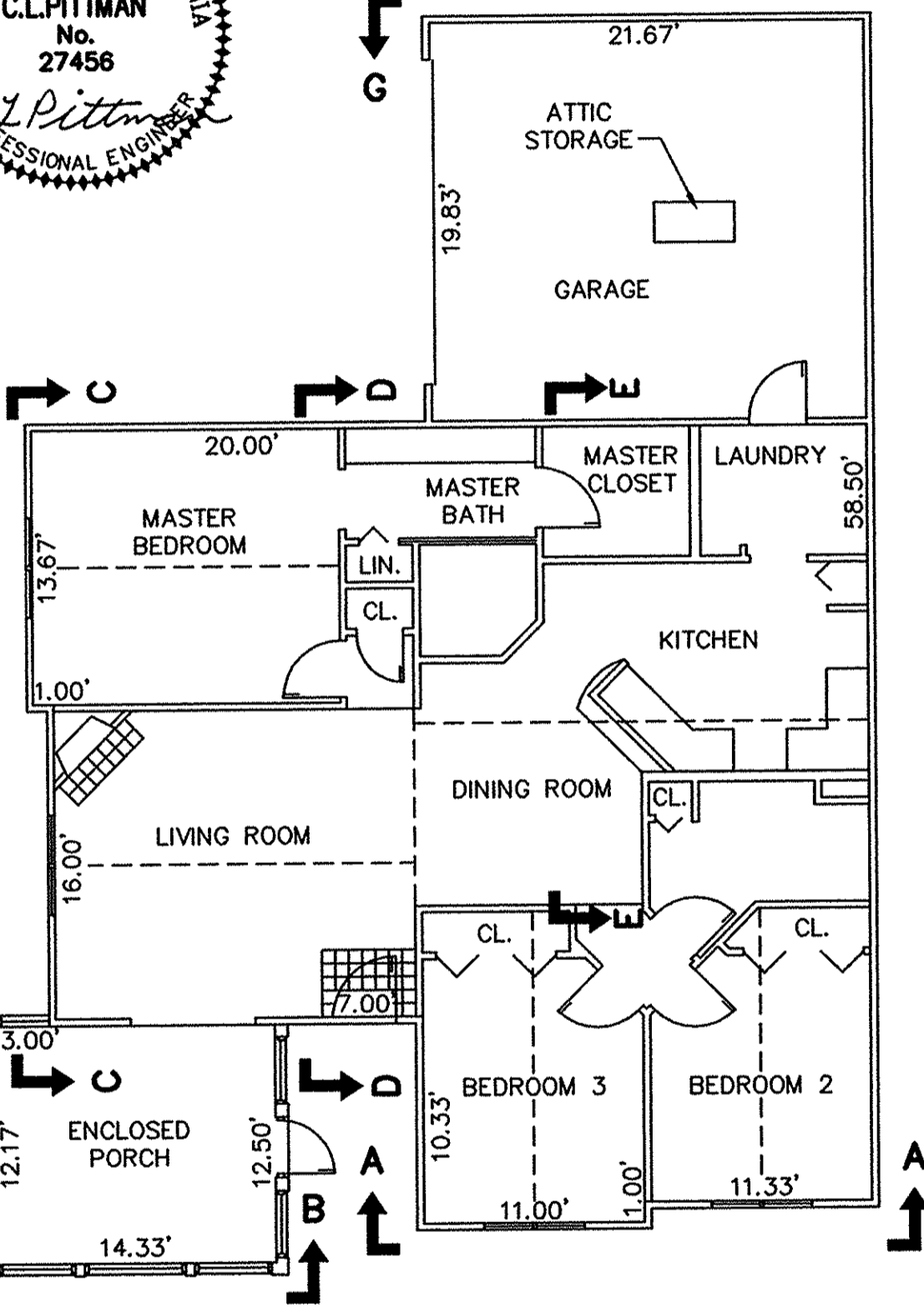
DATE: 7-19-01

NOTES:  
1. ALL BUILDING DIMENSIONS SHOWN HEREON ARE INTERIOR DIMENSIONS AND ARE IN FEET.

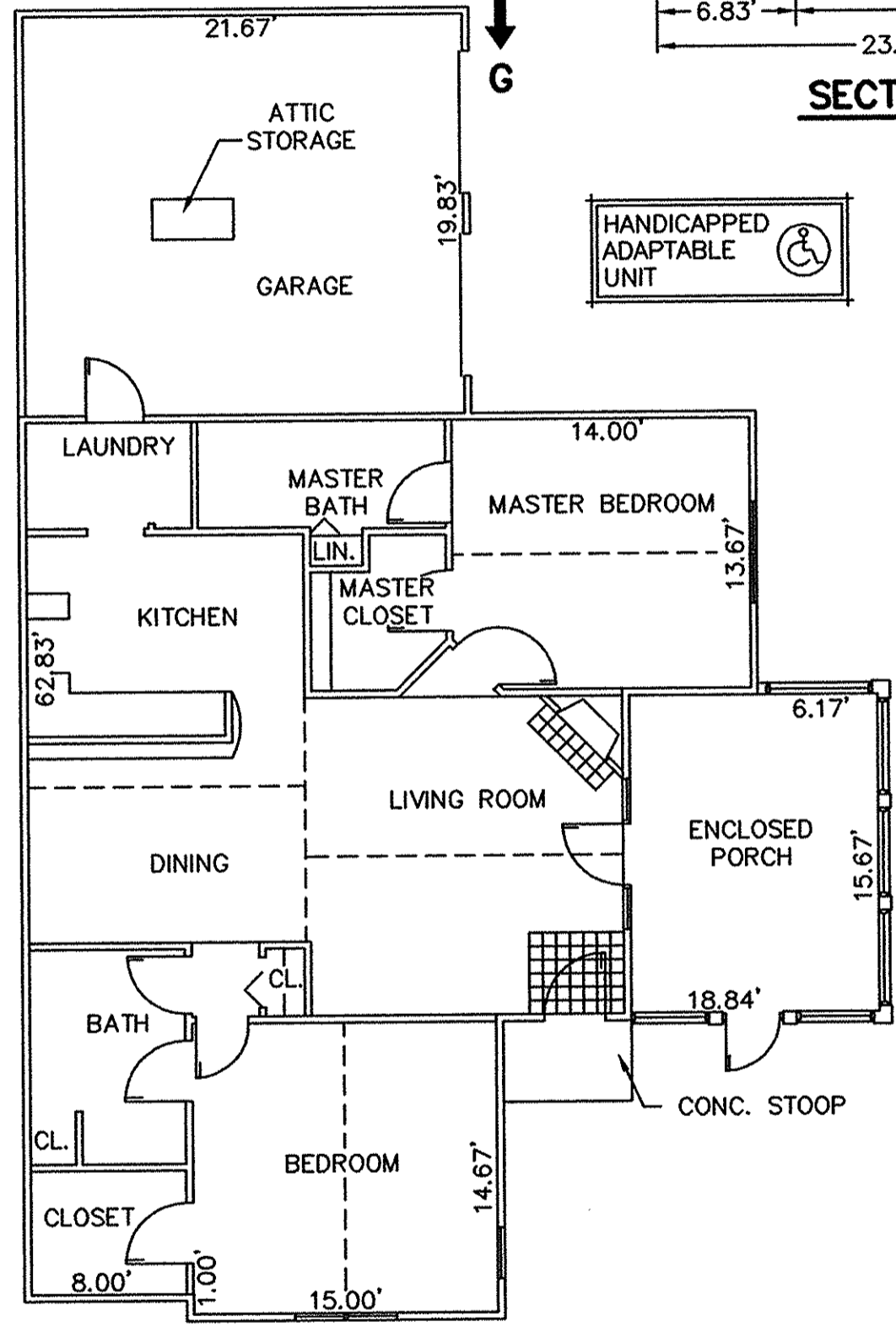
STATE OF VIRGINIA  
COUNTY OF YORK  
IN THE CLERK'S OFFICE OF THE CIRCUIT COURT FOR THE COUNTY OF YORK THE 20 DAY OF July, 2001, THIS PLAT WAS PRESENTED AND ADMITTED TO RECORD AS THE LAW DIRECTS IN PLAT BOOK 13, PAGE 332.

TESTE: Lynn S. Jenkins  
CLERK

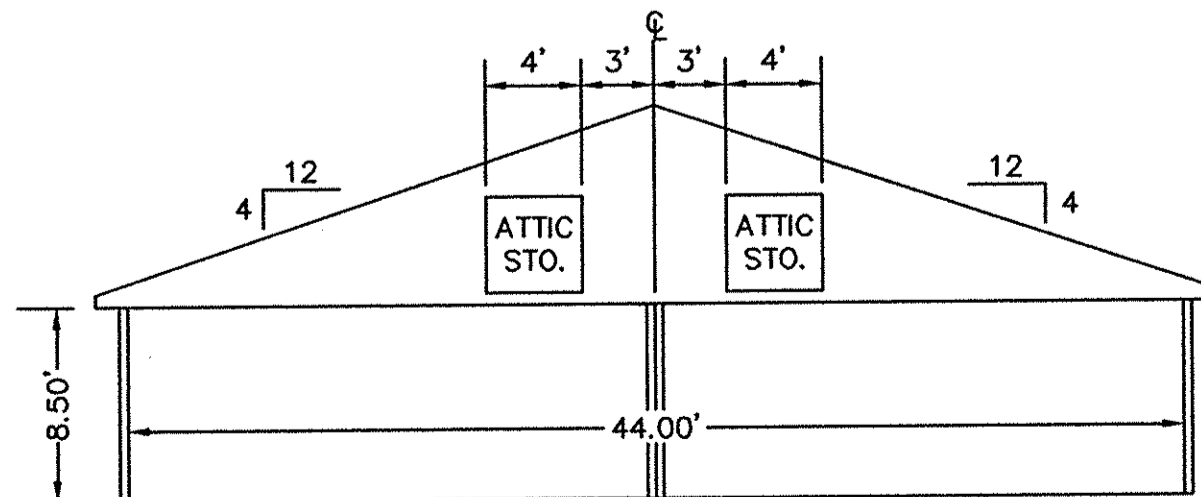
BY: Juan O. Randall



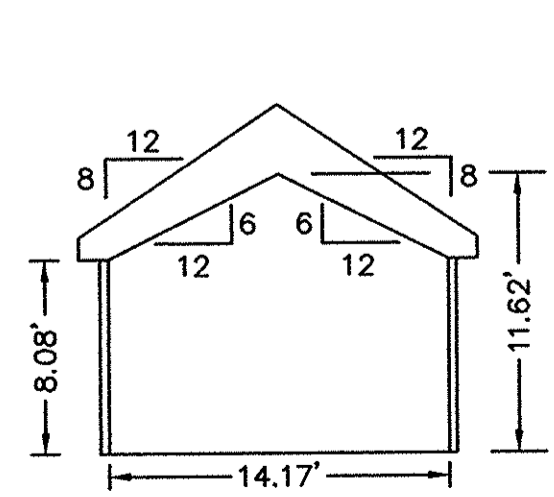
**BUILDING 22-1 & 22-3 - CANTERBURY**  
FLOOR PLAN  
W/ ENCLOSED PORCH



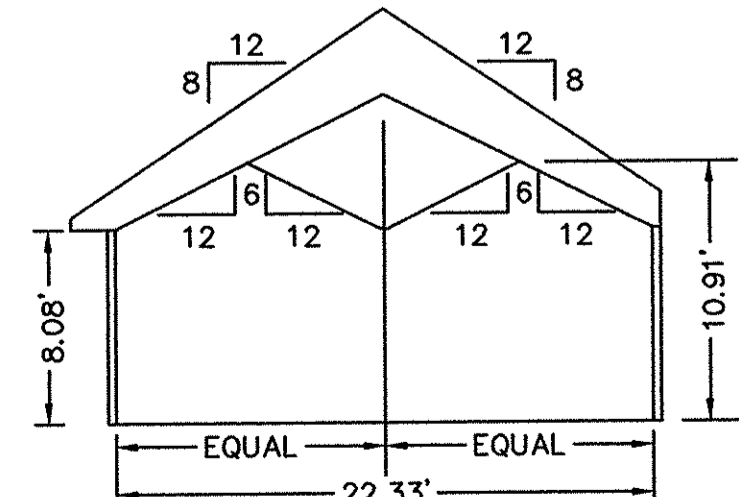
**BUILDING 22-2 & 22-4 - ABBEY**  
FLOOR PLAN  
W/ ENCLOSED PORCH



**SECTION G-G**  
GARAGE



**SECTION B-B**  
ENCLOSED PORCH



**SECTION A-A**