

THE UNDERSIGNED CERTIFIES THAT THIS PLAN IS ACCURATE AND COMPLIES WITH THE PROVISIONS OF THE CODE OF VIRGINIA SECTION 55-79.58 (b) AND ALL UNITS DEPICTED HEREON HAVE BEEN SUBSTANTIALLY COMPLETED.

SIGNED: C.L. Pittman DATE: 2/7/2003
C.L. PITTMAN, P.E.

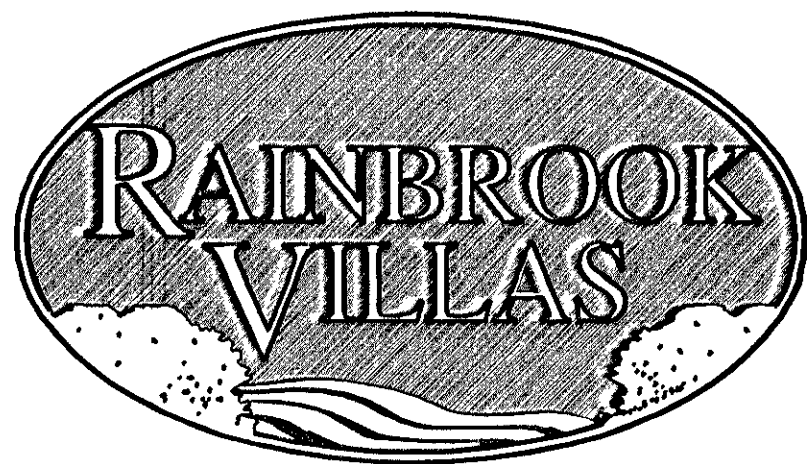
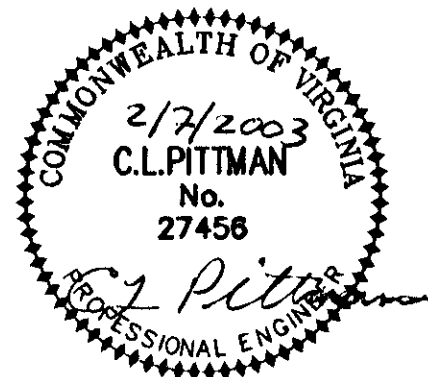
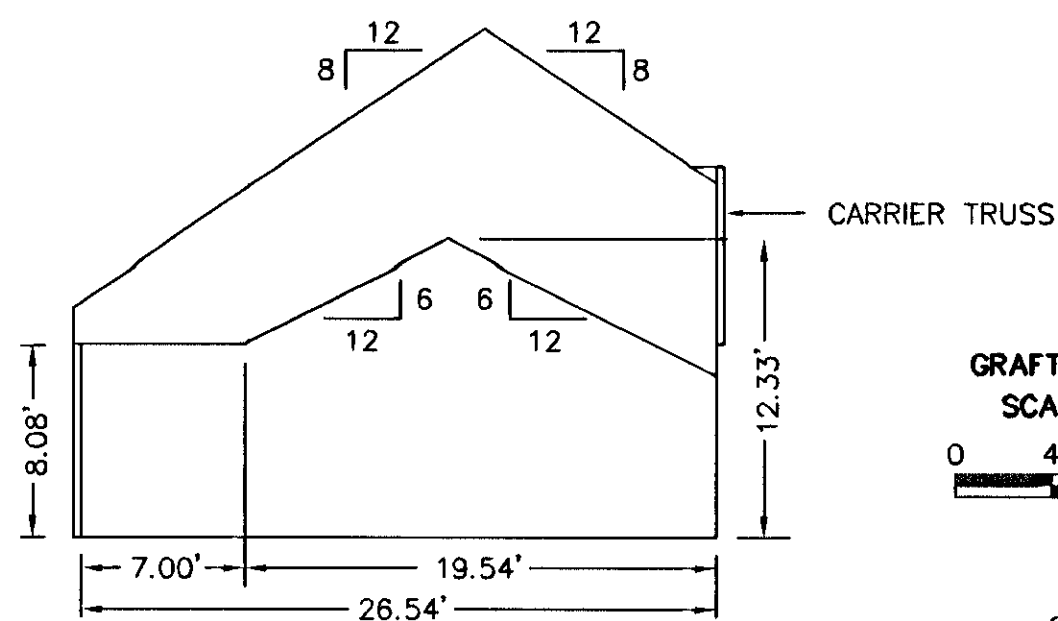


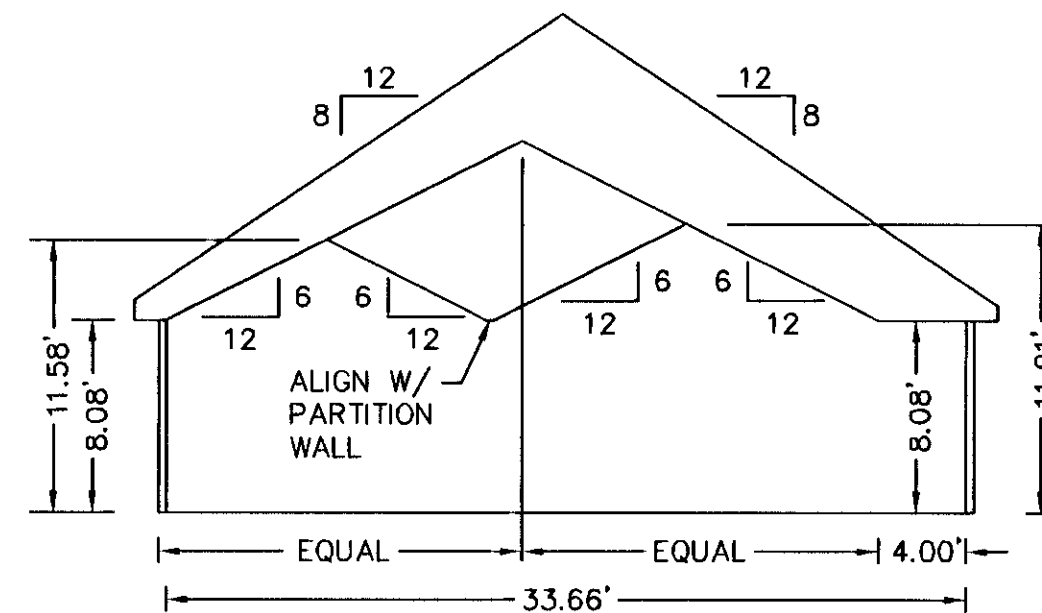
EXHIBIT "D"
PLAT OF
RAINBROOK VILLAS
A CONDOMINIUM
PHASE XVII
SHEET 3 OF 5

GRAFTON DISTRICT - COUNTY OF YORK, VIRGINIA
SCALE: 1/8" = 1'-0" OCTOBER 10, 2002
0 4 8 16 24 36 FEET
GRAPHIC SCALE

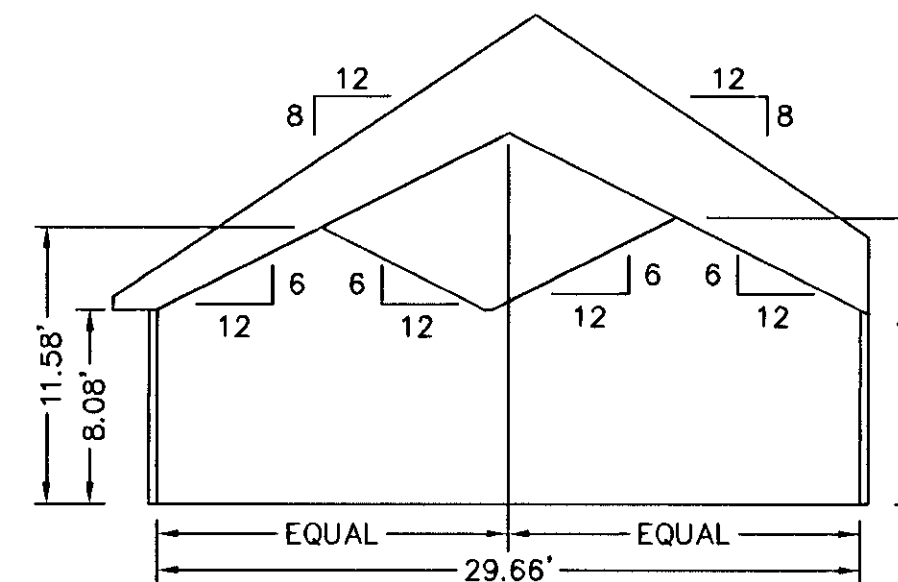
THE SIRINE GROUP, LTD.
SURVEYORS • ENGINEERS • PLANNERS
4794 GEORGE WASHINGTON MEMORIAL HIGHWAY
U.S. ROUTE 17
P.O. BOX 450
WHITE MARSH, VIRGINIA 23183



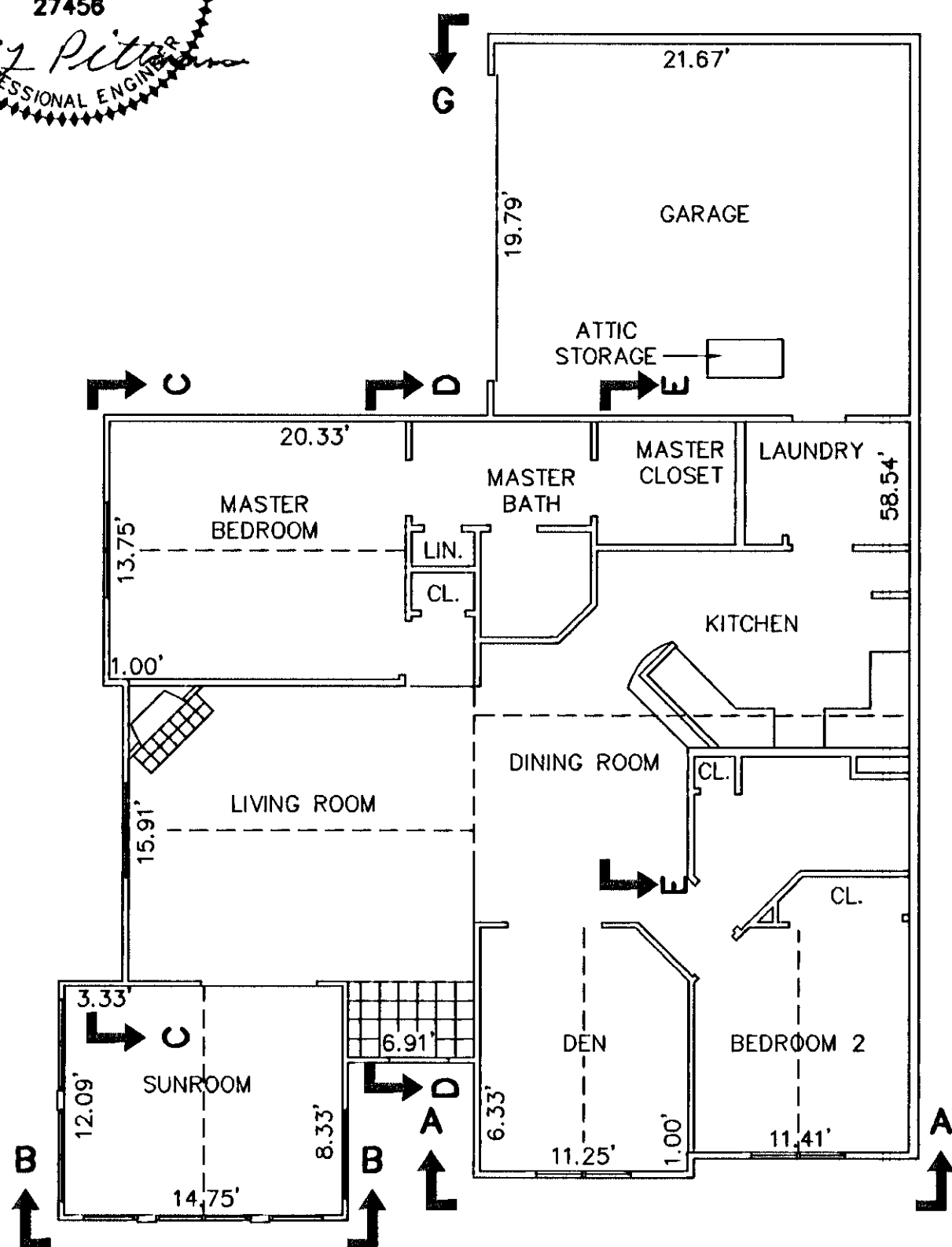
SECTION E-E



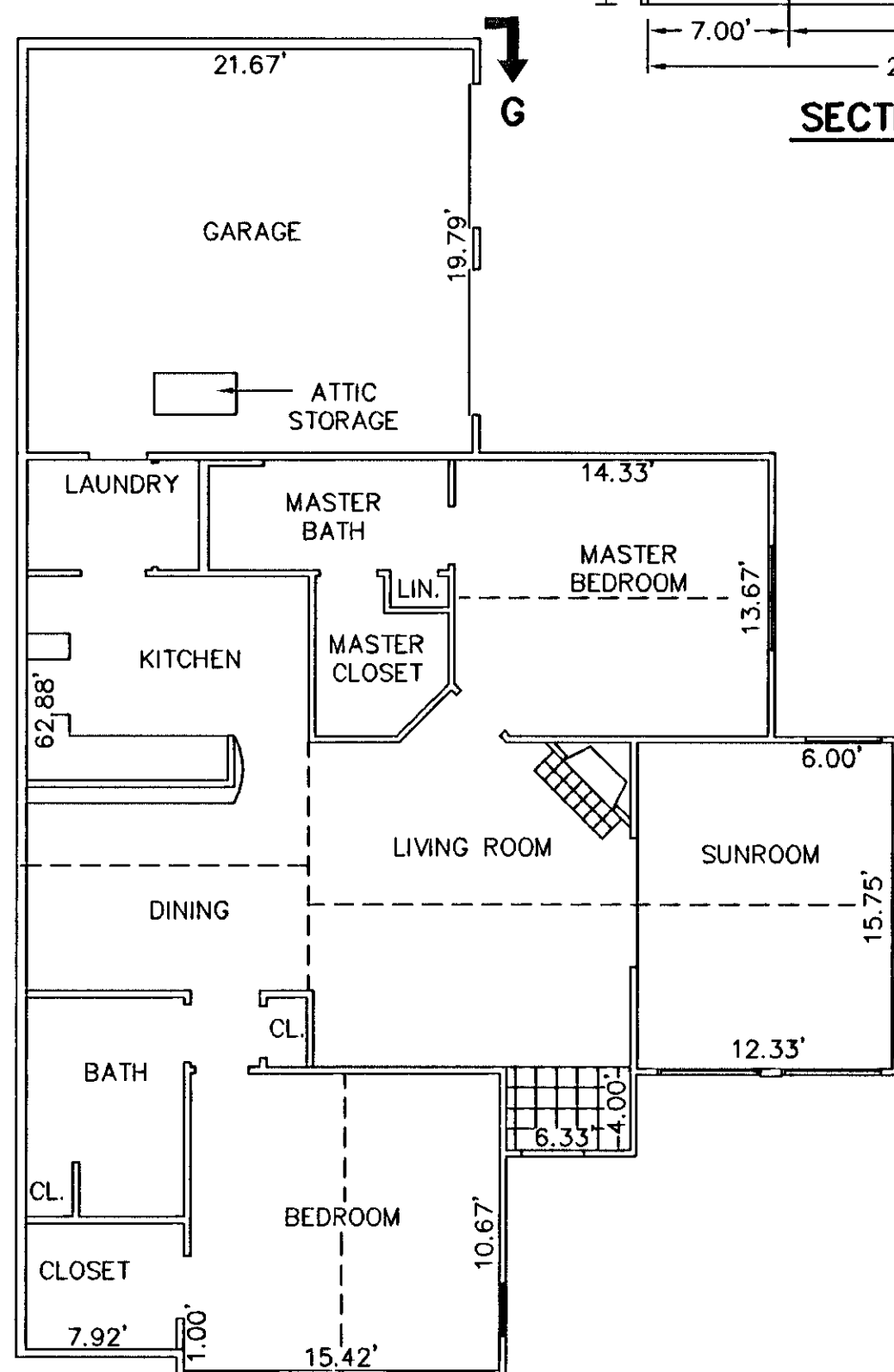
SECTION D-D



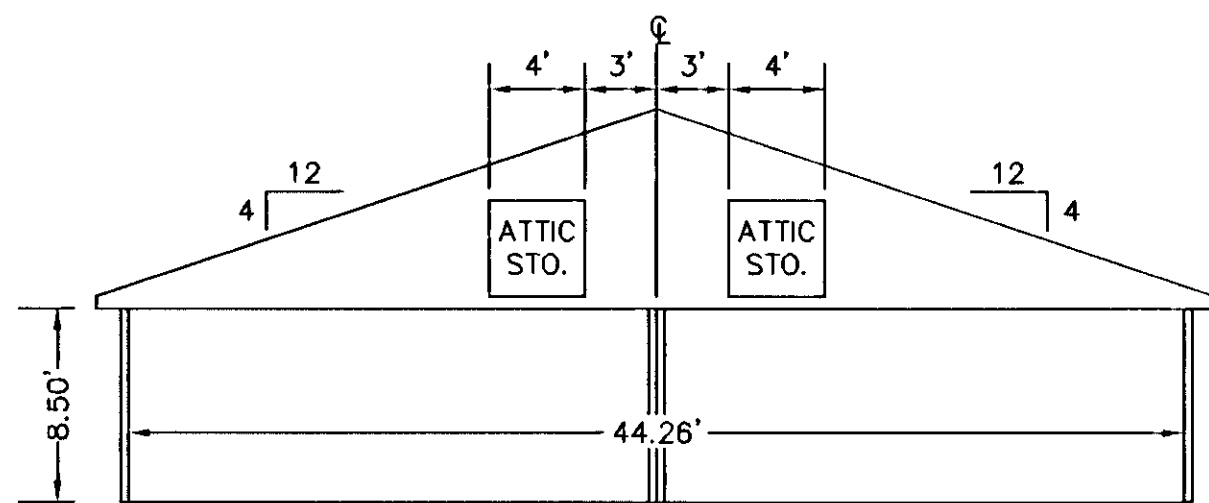
SECTION C-C



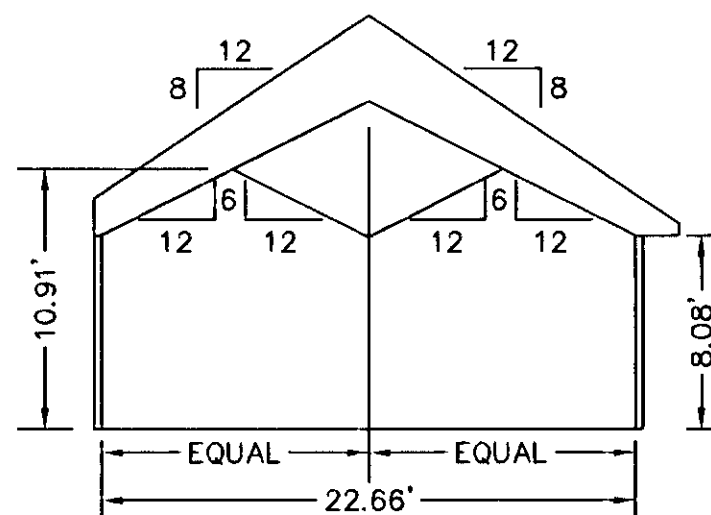
BUILDING 29-2 - CANTERBURY
FLOOR PLAN
W/ ENCLOSED PORCH



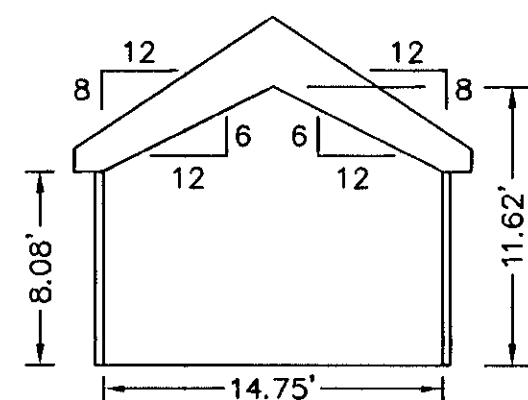
BUILDING 29-1 & 29-3 - ABBEY
FLOOR PLAN
W/ ENCLOSED PORCH



SECTION G-G
GARAGE



SECTION A-A



SECTION B-B
ENCLOSED PORCH

APPROVED:
YORK COUNTY BOARD OF SUPERVISORS

BY: Al Maddalena

DATE: 2/13/2003

NOTES:

1. ALL BUILDING DIMENSIONS SHOWN HEREON ARE INTERIOR DIMENSIONS AND ARE IN FEET.

STATE OF VIRGINIA
COUNTY OF YORK

IN THE CLERK'S OFFICE OF THE CIRCUIT COURT FOR THE COUNTY OF YORK THE 14th DAY OF February, 2003, THIS PLAT WAS PRESENTED AND ADMITTED TO RECORD AS THE LAW DIRECTS AS INSTRUMENT NUMBER 030004026 11:39 am

TESTE: Lynn S. Jenkins
CLERK

BY: Melaney Thomas