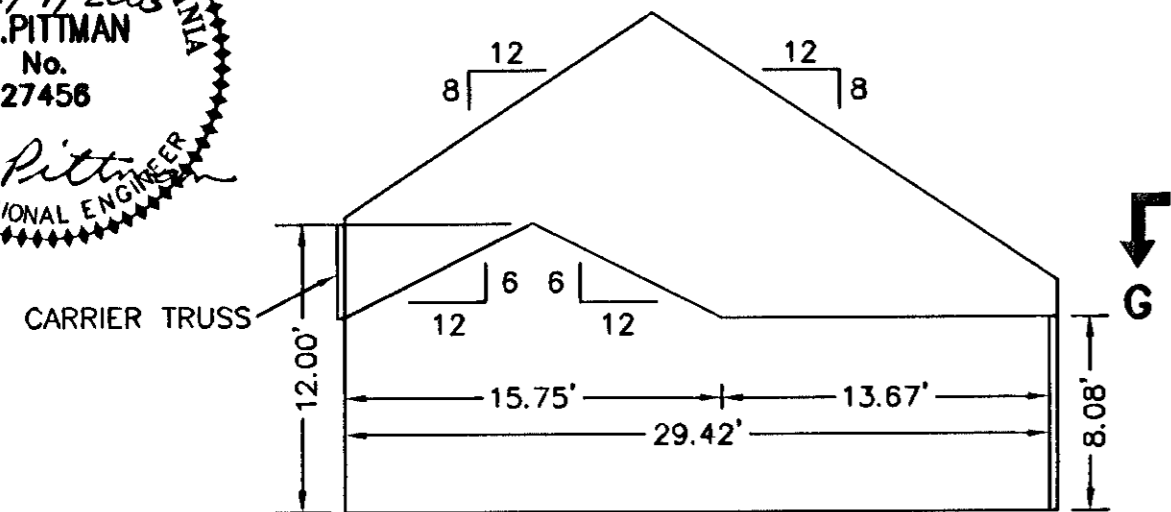
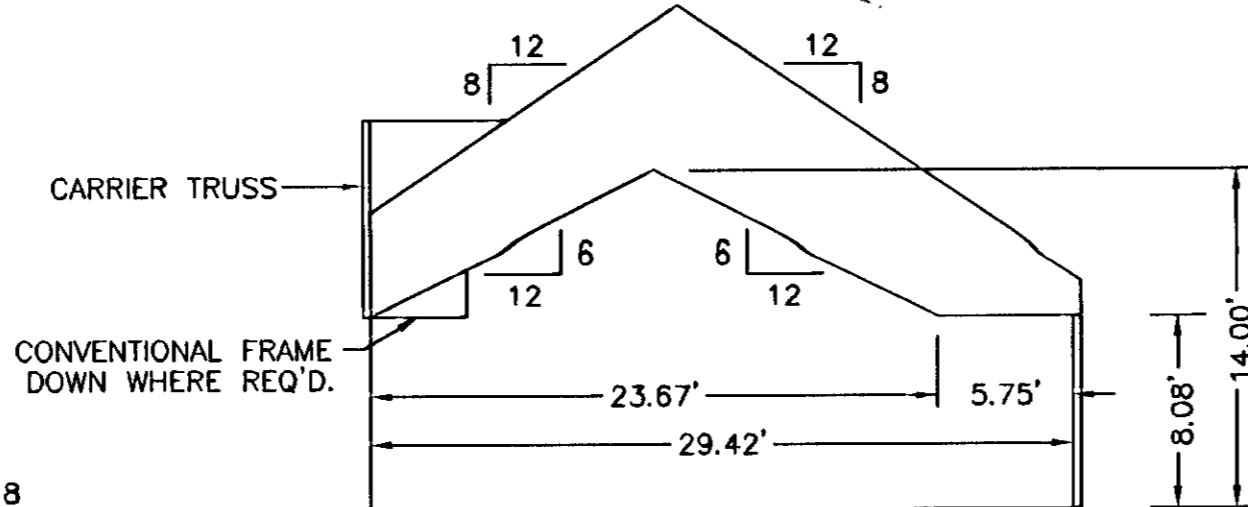
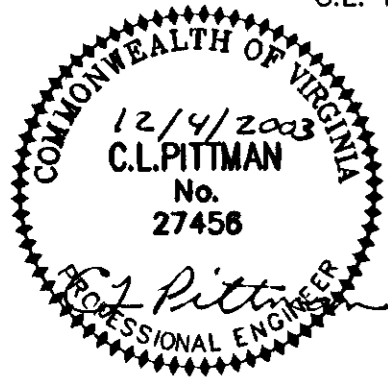
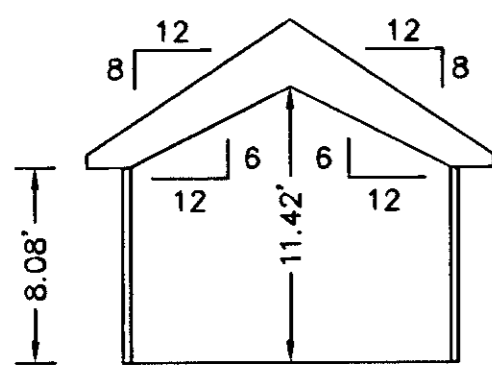


THE UNDERSIGNED CERTIFIES THAT THIS PLAN IS ACCURATE AND COMPLIES WITH THE PROVISIONS OF THE CODE OF VIRGINIA SECTION 55-79.58 (b) AND ALL UNITS DEPICTED HEREON HAVE BEEN SUBSTANTIALLY COMPLETED.

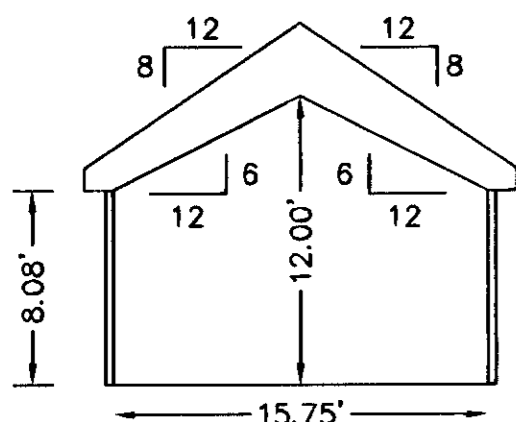
SIGNED: C.L. Pittman DATE: 12/4/2003
C.L. PITTMAN, P.E.



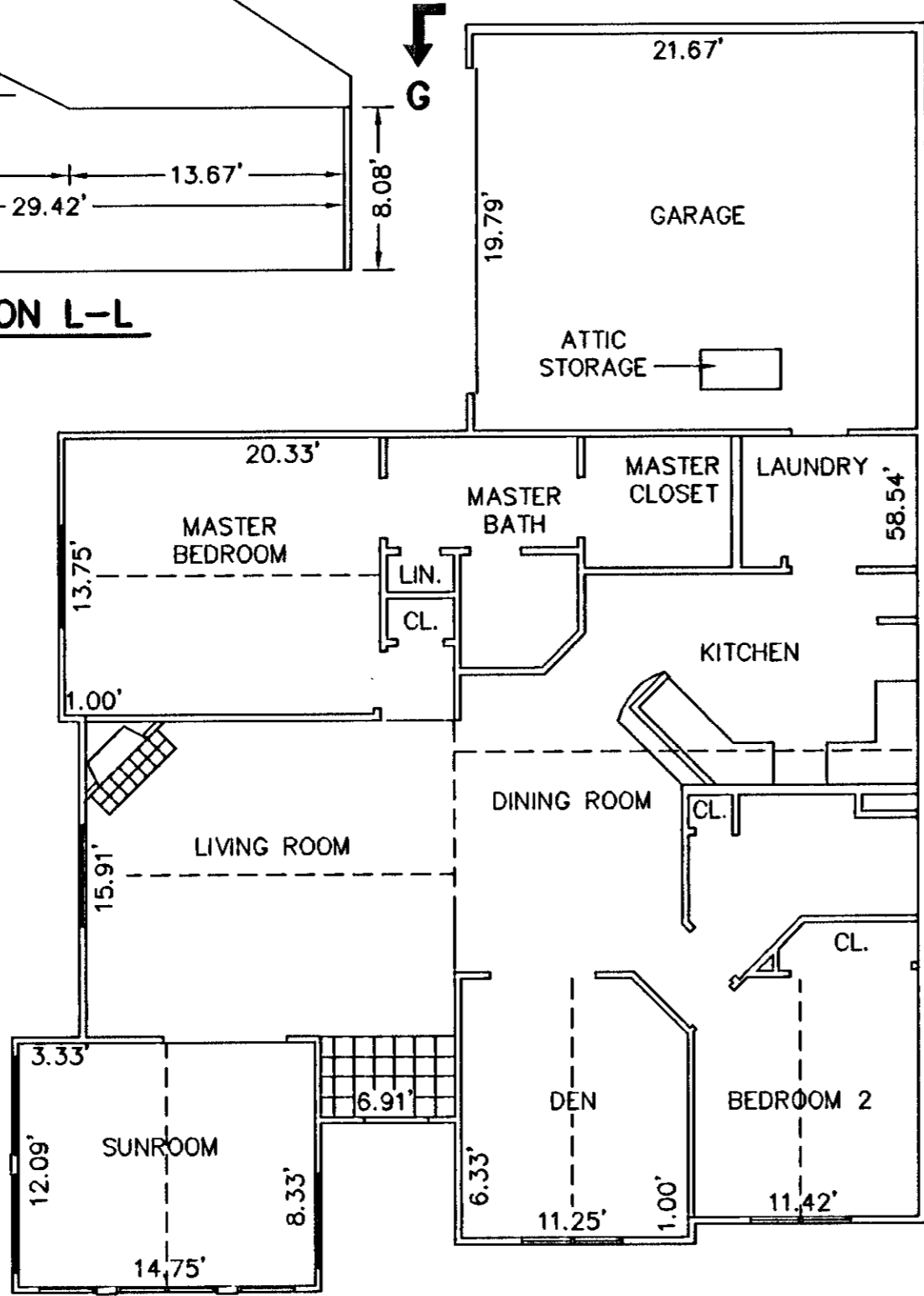
SECTION L-L



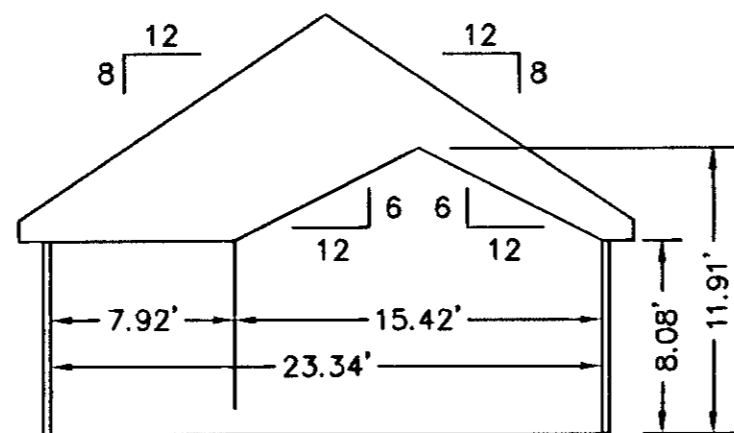
SECTION C-C



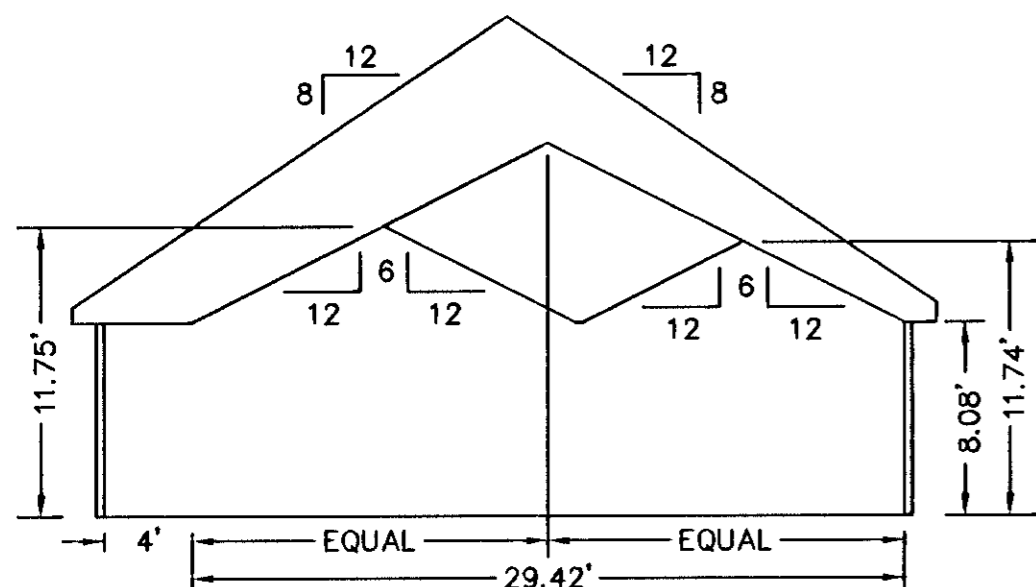
SECTION B-B



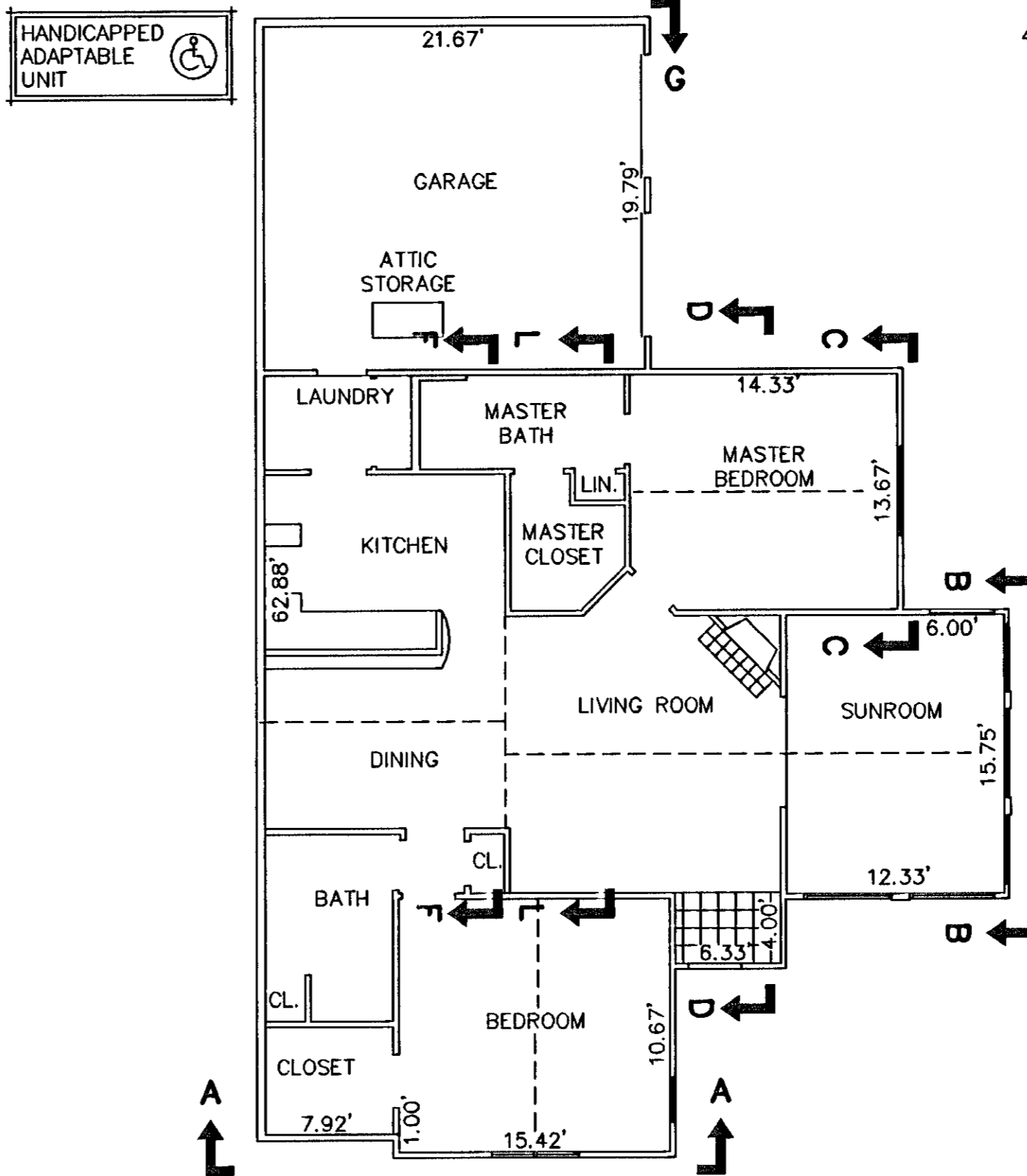
BUILDING 41-3 - CANTERBURY
FLOOR PLAN



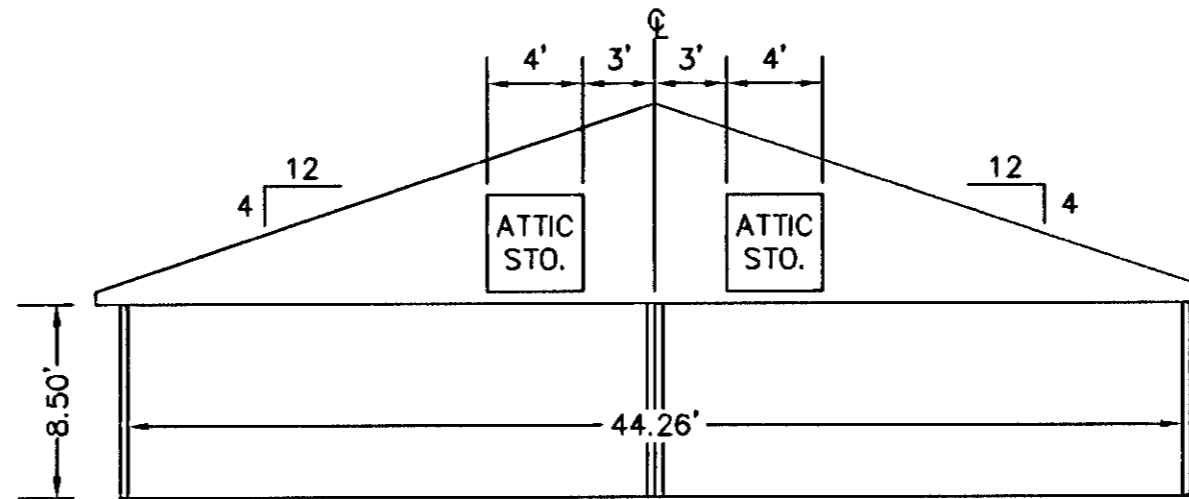
SECTION A-A



SECTION D-D



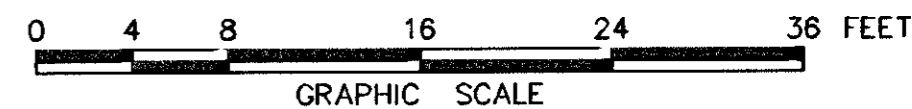
BUILDING 41-2 & 41-4 - ABBEY
FLOOR PLAN



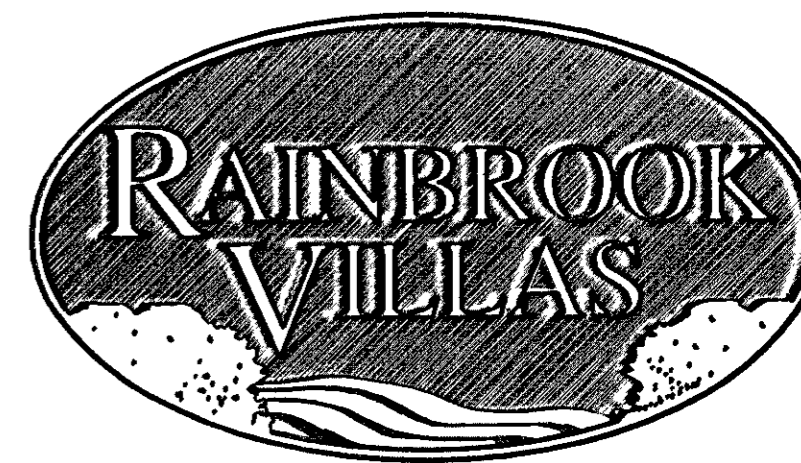
SECTION G-G
GARAGE

EXHIBIT "D"
PLAT OF
RAINBROOK VILLAS
A CONDOMINIUM
PHASE XXIV
SHEET 4 OF 4

GRAFTON DISTRICT - COUNTY OF YORK, VIRGINIA
SCALE: 1/8" = 1'-0" AUGUST 28, 2003



THE SIRINE GROUP, LTD.
SURVEYORS • ENGINEERS • PLANNERS
4794 GEORGE WASHINGTON MEMORIAL HIGHWAY
U.S. ROUTE 17
P.O. BOX 450
WHITE MARSH, VIRGINIA 23183



APPROVED:
YORK COUNTY BOARD OF SUPERVISORS

BY: Al Maddalena

DATE: 12/8/03

NOTES:
1. ALL BUILDING DIMENSIONS SHOWN HEREON ARE INTERIOR DIMENSIONS AND ARE IN FEET.

STATE OF VIRGINIA
COUNTY OF YORK

IN THE CLERK'S OFFICE OF THE CIRCUIT COURT FOR THE COUNTY OF YORK THE 8th DAY OF Dec, 2003, THIS PLAT WAS PRESENTED AND ADMITTED TO RECORD AS THE LAW DIRECTS AS INSTRUMENT NUMBER 030038569

TESTE: Lynn S. Jenkins
CLERK

BY: [Signature]