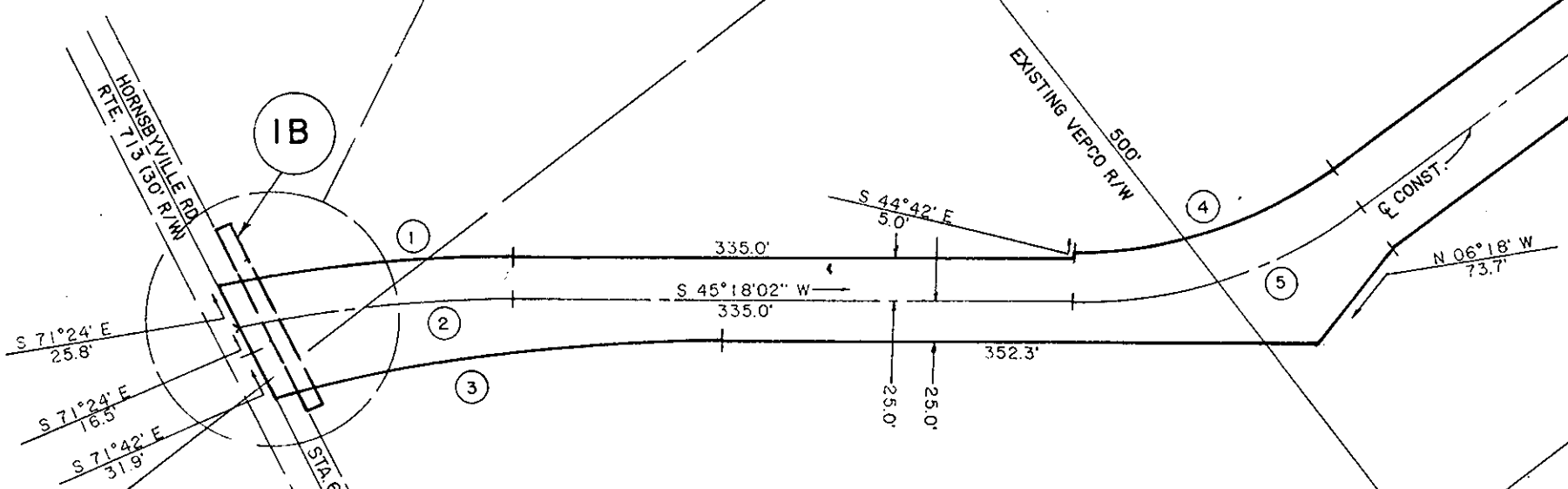
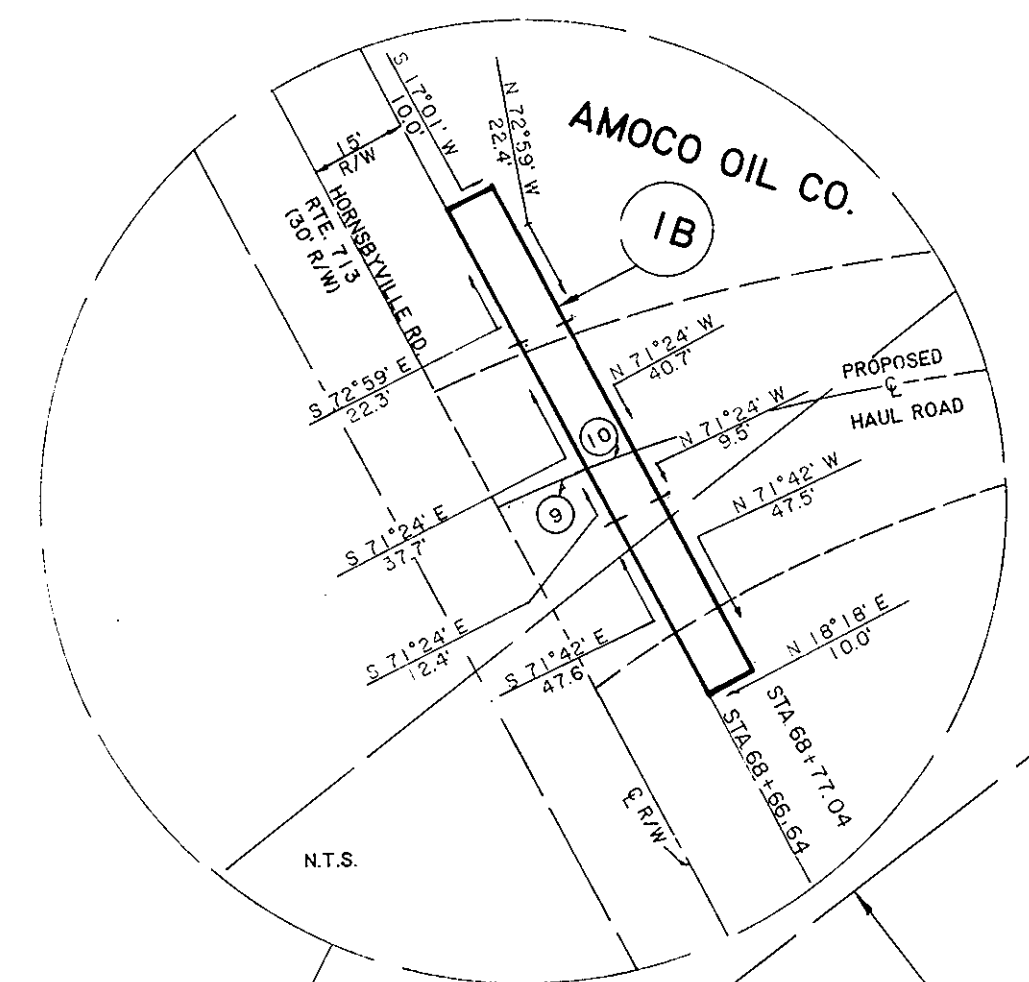


CURVE DATA

- ① Δ = 12°42'12"
R = 788.94'
L = 174.92'
CH. = 174.56'
CH. BRG. = S 38°56'56" W
- ② Δ = 12°14'07"
R = 763.94'
L = 163.14'
CH. = 162.83'
CH. BRG. = S 39°10'58" W
- ③ Δ = 15°12'00"
R = 1015.66'
L = 269.44'
CH. = 268.66'
CH. BRG. = N 37°42'02" E
- ④ Δ = 36°39'59"
R = 257.00'
L = 164.47'
CH. = 161.68'
CH. BRG. = S 26°58'03" W
- ⑤ Δ = 36°39'59"
R = 287.00'
L = 183.67'
CH. = 180.55'
CH. BRG. = S 26°58'03" W
- ⑥ Δ = 03°59'29"
R = 5759.58'
L = 401.21'
CH. = 401.13'
CH. BRG. = S 10°37'47" W
- ⑦ Δ = 03°41'39"
R = 5729.58'
L = 369.40'
CH. = 369.34'
CH. BRG. = S 10°28'52" W
- ⑧ Δ = 03°23'32"
R = 5699.58'
L = 337.44'
CH. = 337.39'
CH. BRG. = N 10°19'49" E
- ⑨ Δ = 01°09'54"
R = 763.94'
L = 15.53'
CH. = 15.53'
CH. BRG. = S 33°38'52" W
- ⑩ Δ = 0°46'49"
R = 763.94'
L = 10.40'
CH. = 10.40'
CH. BRG. = S 34°37'13" W



ACREAGE

IA - 2.06 AC. (1.97 AC. INCLUDED IN EXIST. 500' VEPCO R/W)
 IB - 0.03 AC. (0.02 AC. INCLUDED IN HAUL RD. R/W)

AMOCO OIL CO. Plat Book No. 9 Page 567

Filed in the Clerk's Office, Circuit Court, York Co., Va.
 the 28 day of June 1983

Teste:
 Edith M. Elliott, Clerk
Nancy Skane

DRAWN BY:
 CARROUTH AND ASSOCIATES, INC.

VIRGINIA ELECTRIC AND POWER CO.		
YORKTOWN P.S. HAUL ROAD		
PLAT TO ACCOMPANY RIGHT-OF-WAY AGREEMENT WITH		
AMOCO OIL CO.		
DISTRICT - TOWNSHIP	COUNTY	STATE
NELSON	YORK	VA.
SCALE: 1 INCH = 100' FT.	SURVEYED BY	
	CARROUTH & ASSOC.	
DRAWN BY	DATE	NO. 1A&B
L.D.H.	3/28/83	

REVISIONS				
4		3	2	1
				PARCEL 18 STA. CORRECTED 4-5-83