

STATE OF VIRGINIA COUNTY OF YORK
IN THE CLERK'S OFFICE OF THE CIRCUIT COURT FOR THE
COUNTY OF YORK, THE DAY OF 1989, THIS
PLAT WAS PRESENTED AND ADMITTED TO RECORD AS THE LAW DIRECTS
IN PLAT BOOK PAGE

Filed in the Clerk's Office, Circuit Court, York Co., Va.
the 2nd day of June 1989 SEE SHEET 1 FOR NOTES

Teste: Nancy B. Kane, Clerk
Rachel R. Whitehurst, D.C.

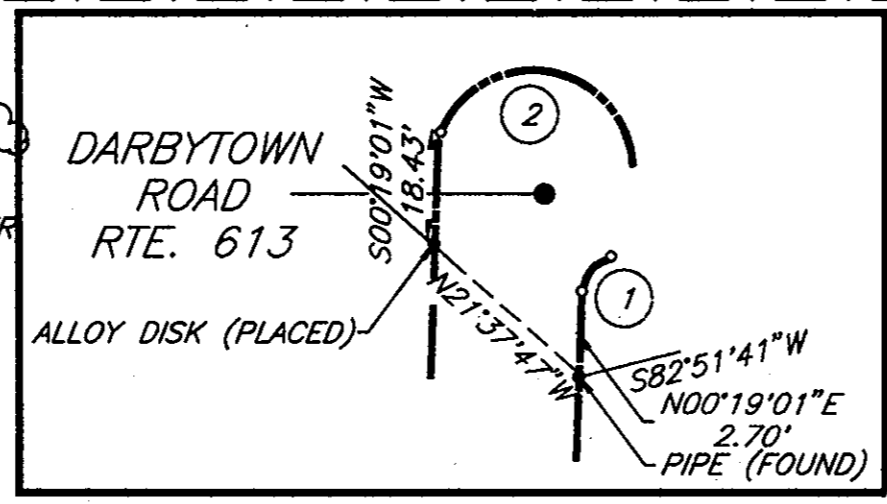
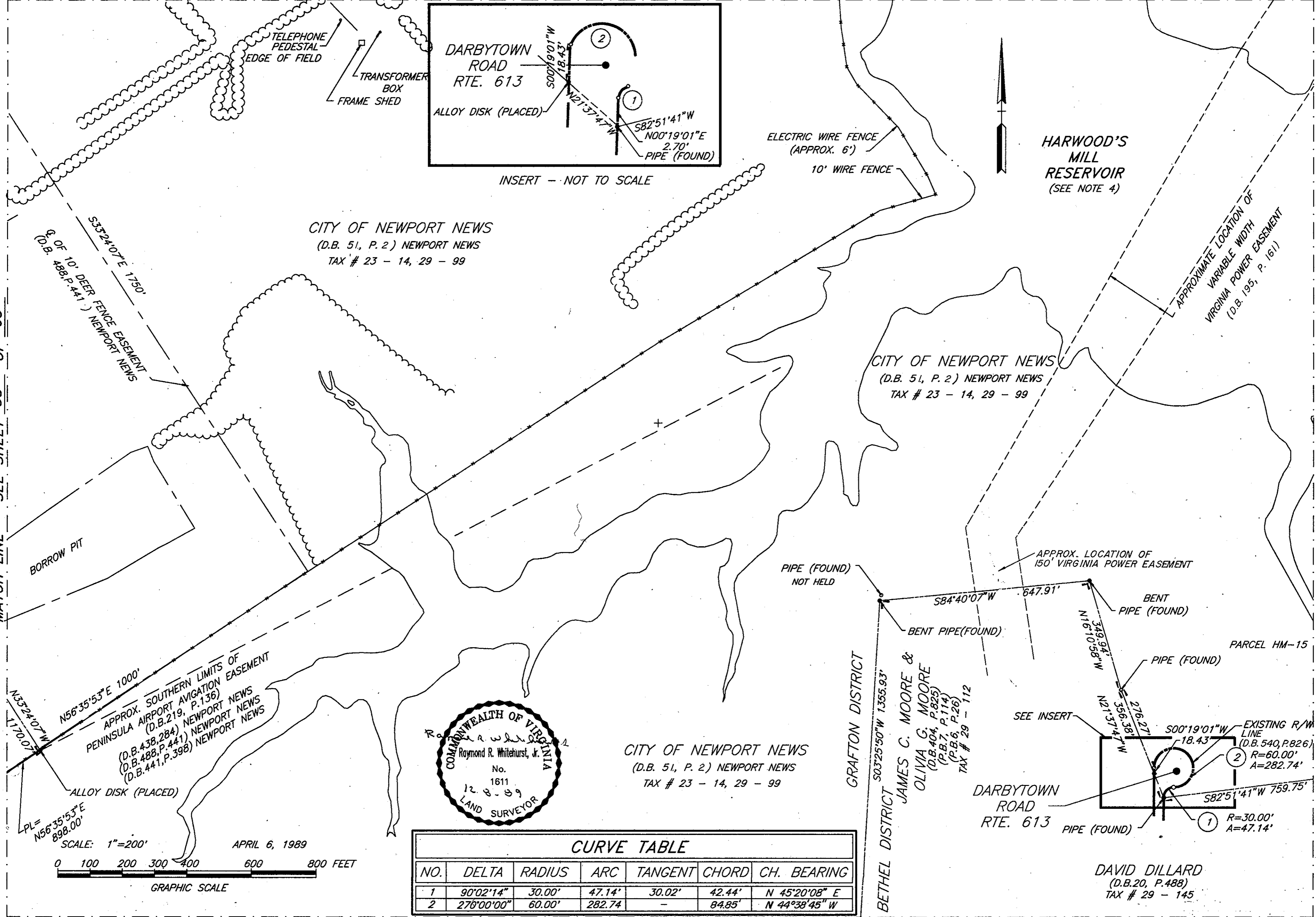
Plat Book No. 11 Page 485

VIRGINIA: IN THE CLERK'S OFFICE OF THE CITY OF NEWPORT NEWS,
THE DAY OF 1989, THIS PLAT WAS PRESENTED
AND ADMITTED TO RECORD AS THE LAW DIRECTS IN PLAT BOOK
AT PAGE

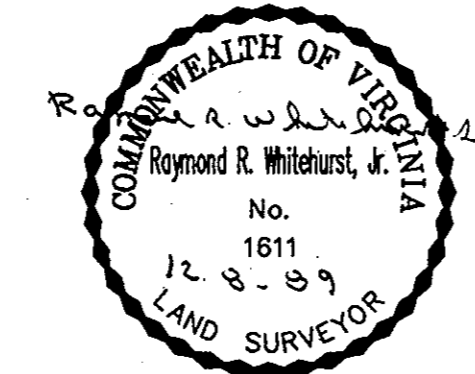
TESTE: _____, CLERK
BY: _____, D.C.

MATCH LINE - SEE SHEET 56 OF 63

TESTE: _____, CLERK



INSERT - NOT TO SCALE



CITY OF NEWPORT NEWS
(D.B. 51, P. 2) NEWPORT NEWS
TAX # 23 - 14, 29 - 99

CITY OF NEWPORT NEWS
(D.B. 51, P. 2) NEWPORT NEWS
TAX # 23 - 14, 29 - 99

HARWOOD'S
MILL
RESERVOIR
(SEE NOTE 4)

APPROXIMATE LOCATION OF
VARIABLE WIDTH
VIRGINIA POWER EASEMENT
(D.B. 195, P. 161)

6' OF 10' DEER FENCE EASEMENT
(D.B. 488, P. 441) NEWPORT NEWS

CITY OF NEWPORT NEWS
(D.B. 51, P. 2) NEWPORT NEWS
TAX # 23 - 14, 29 - 99

BORROW PIT

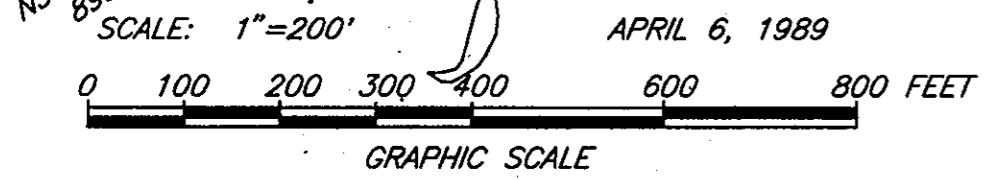
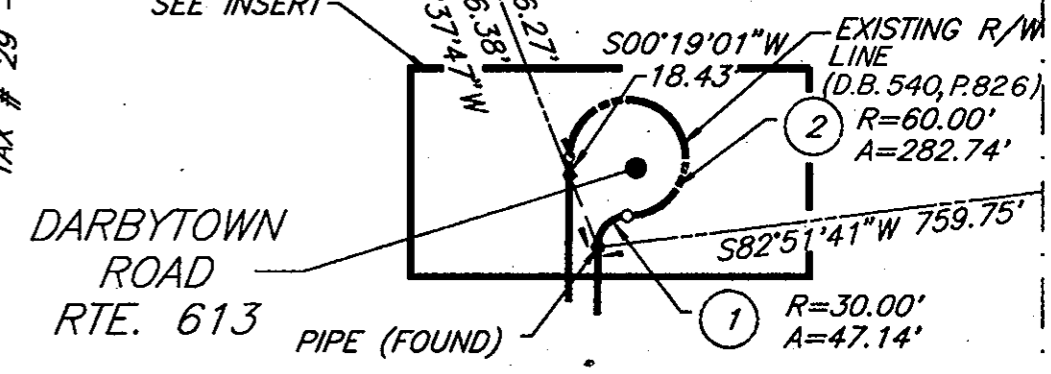
APPROX. SOUTHERN LIMITS OF
PENINSULA AIRPORT AVIGATION EASEMENT
(D.B. 438, 284) NEWPORT NEWS
(D.B. 488, P. 441) NEWPORT NEWS
(D.B. 441, P. 398) NEWPORT NEWS

GRAFTON DISTRICT
BETHEL DISTRICT
JAMES C. MOORE &
OLIVIA G. MOORE
(D.B. 404, P. 825)
(P.B. 7, P. 114)
(P.B. 6, P. 26)
TAX # 29 - 112

APPROX. LOCATION OF
150' VIRGINIA POWER EASEMENT

BENT PIPE (FOUND)
BENT PIPE (FOUND)
PIPE (FOUND)

PARCEL HM-15



CURVE TABLE

NO.	DELTA	RADIUS	ARC	TANGENT	CHORD	CH. BEARING
1	90°02'14"	30.00'	47.14'	30.02'	42.44'	N 45°20'08" E
2	278°00'00"	60.00'	282.74'	-	84.85'	N 44°38'45" W

DAVID DILLARD
(D.B. 20, P. 488)
TAX # 29 - 145

MATCH LINE - SEE SHEET 62 OF 63