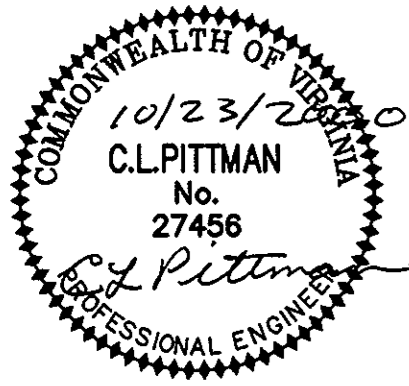
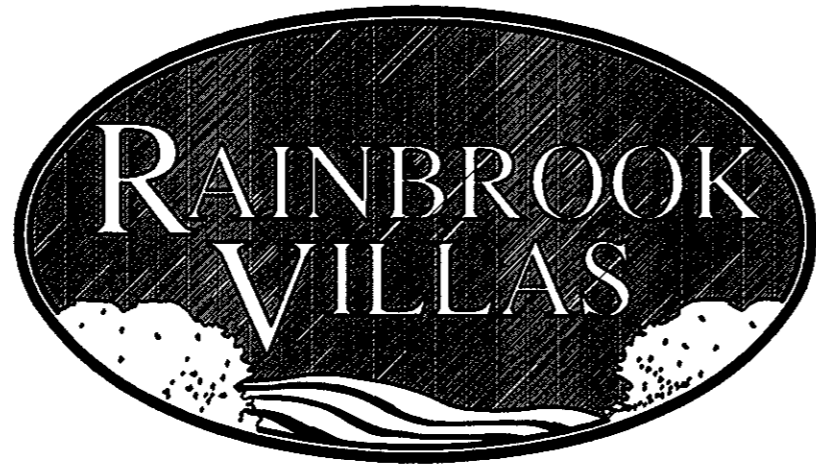


THE UNDERSIGNED CERTIFIES THAT THIS PLAN IS ACCURATE AND COMPLIES WITH THE PROVISIONS OF THE CODE OF VIRGINIA SECTION 55-79.58 (b) AND ALL UNITS DEPICTED HEREON HAVE BEEN SUBSTANTIALLY COMPLETED.

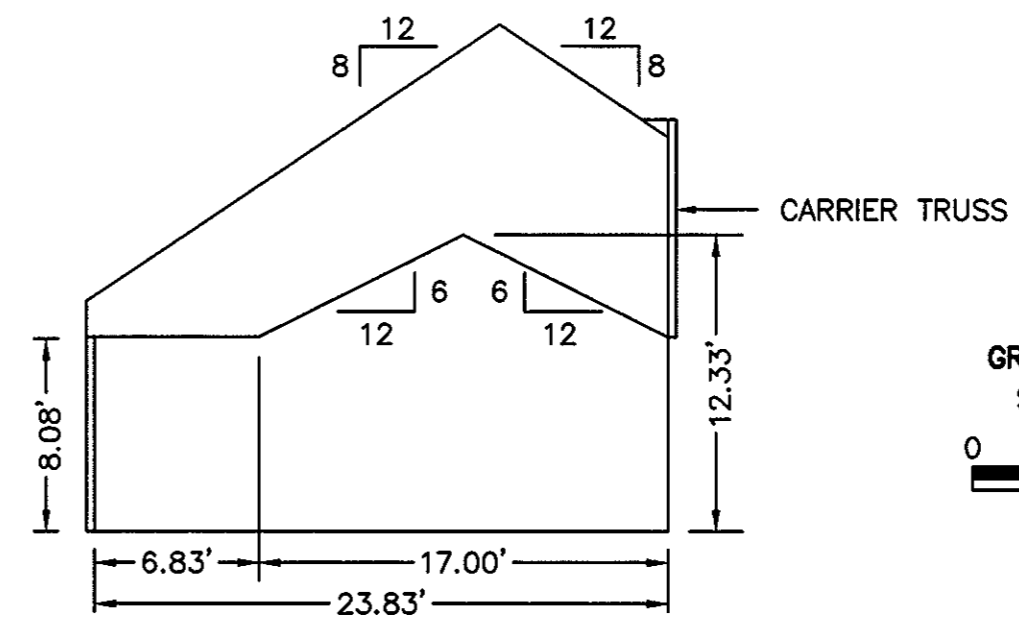
SIGNED: C.L. Pittman DATE: 10/23/2000  
C.L. PITTMAN, P.E.



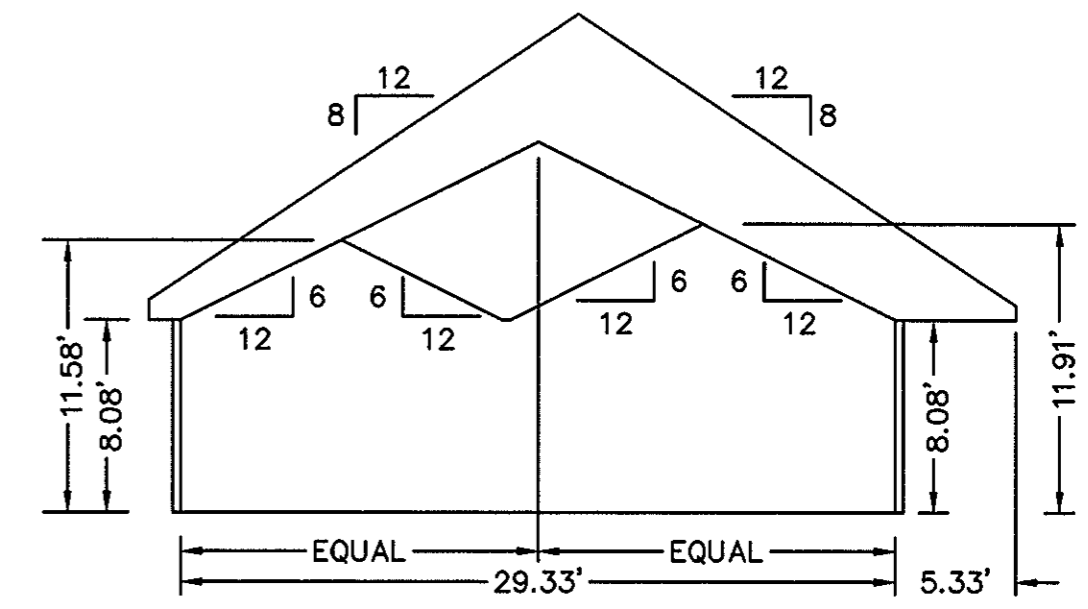
**EXHIBIT "D"**  
PLAT OF  
**RAINBROOK VILLAS**  
A CONDOMINIUM  
PHASE II  
SHEET 4 OF 6

GRAFTON DISTRICT - COUNTY OF YORK, VIRGINIA  
SCALE: 1/8" = 1'-0" OCTOBER 23, 2000  
0 4 8 16 24 36 FEET  
GRAPHIC SCALE

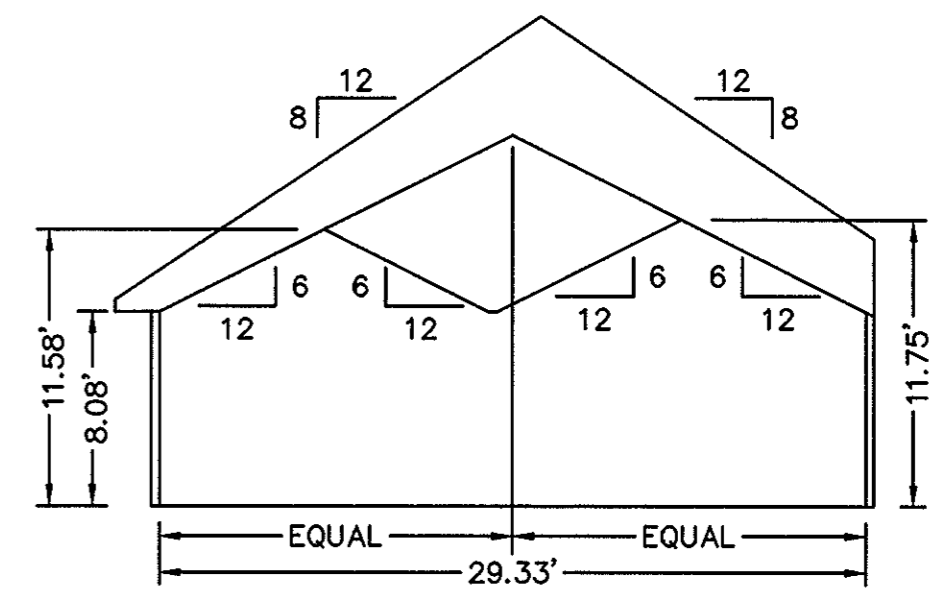
**THE SIRINE GROUP, LTD.**  
SURVEYORS • ENGINEERS • PLANNERS  
4794 GEORGE WASHINGTON MEMORIAL HIGHWAY  
U.S. ROUTE 17  
P.O. BOX 450  
WHITE MARSH, VIRGINIA 23183



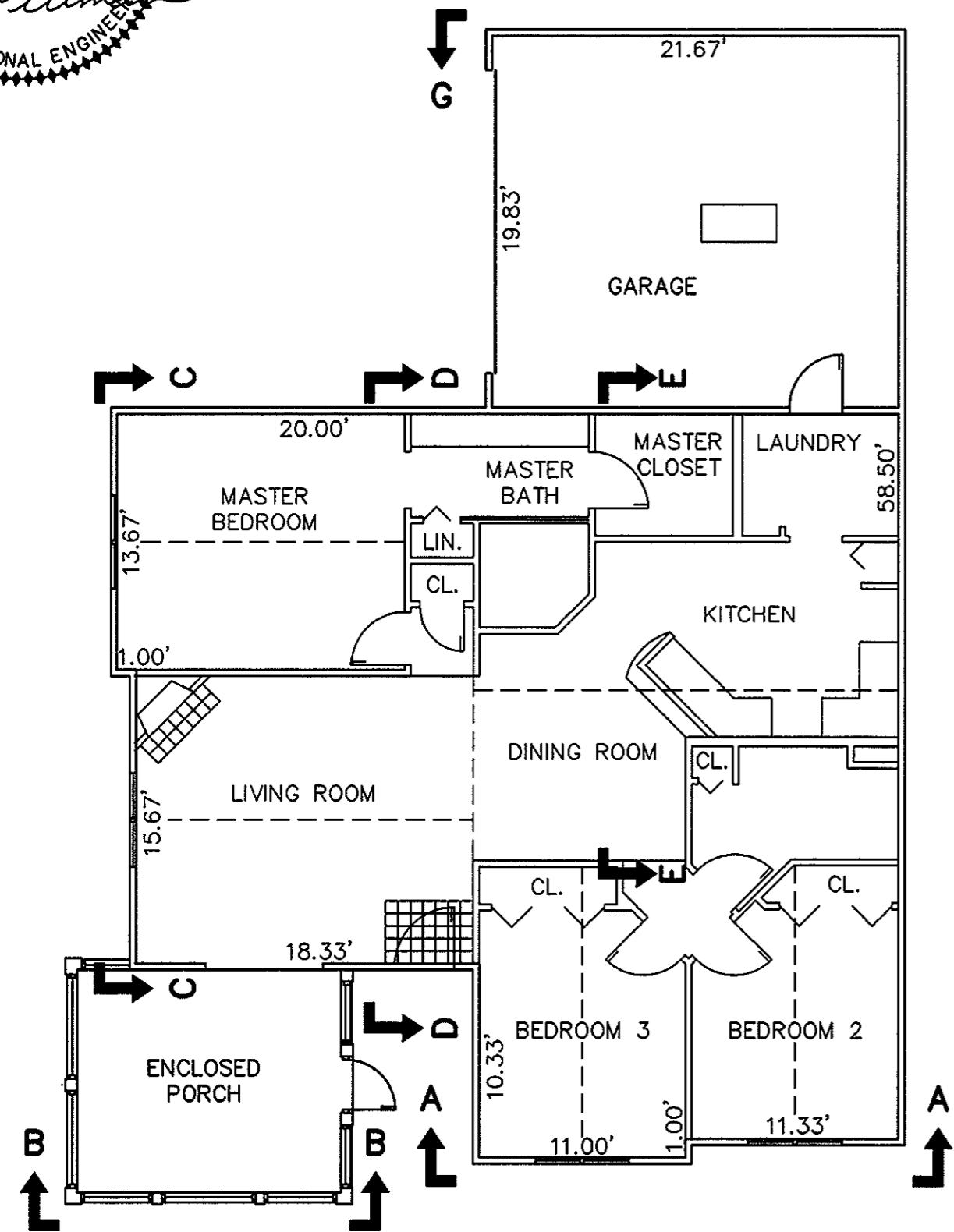
**SECTION E-E**



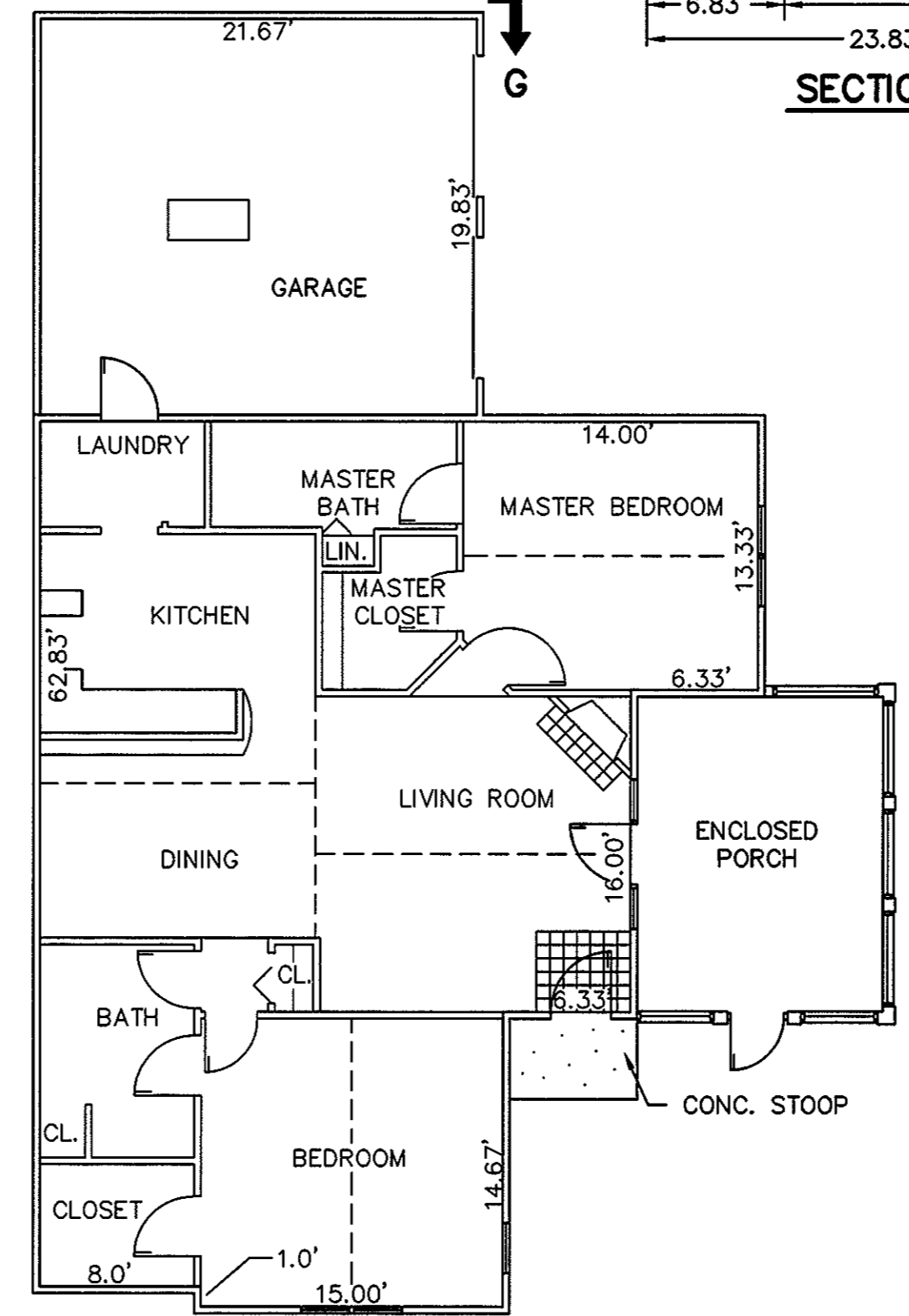
**SECTION D-D**



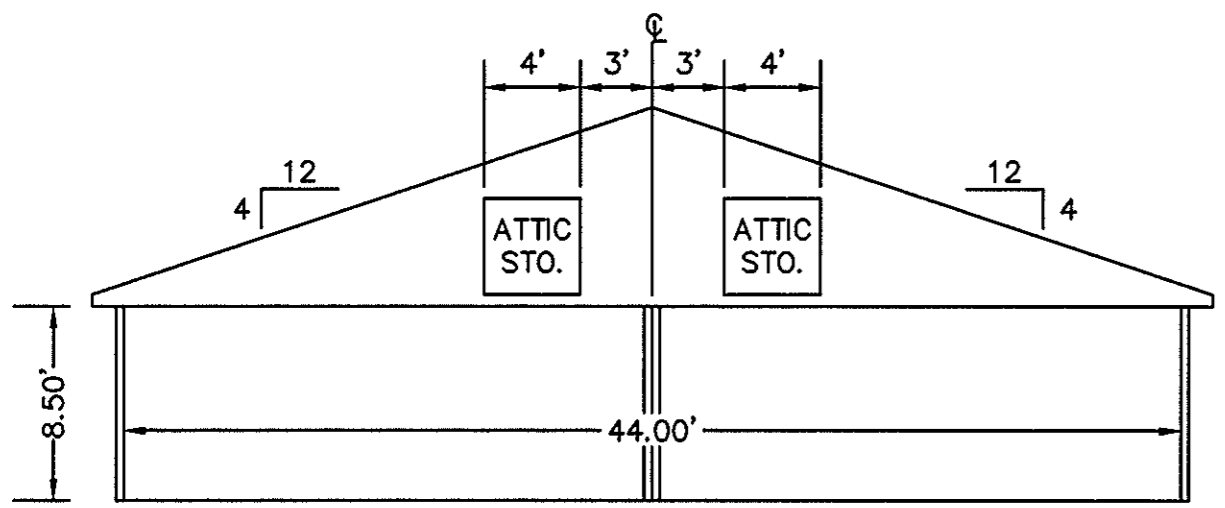
**SECTION C-C**



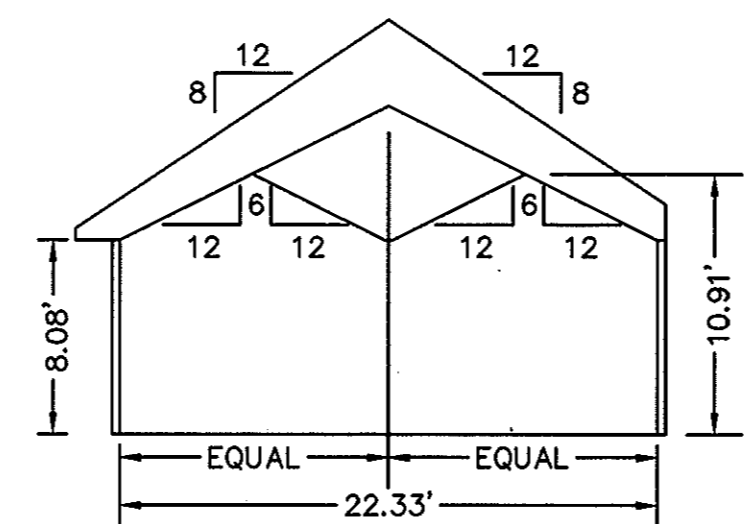
**BUILDING 2-1 & 2-3 - CANTERBURY**  
FLOOR PLAN  
W/ ENCLOSED PORCH



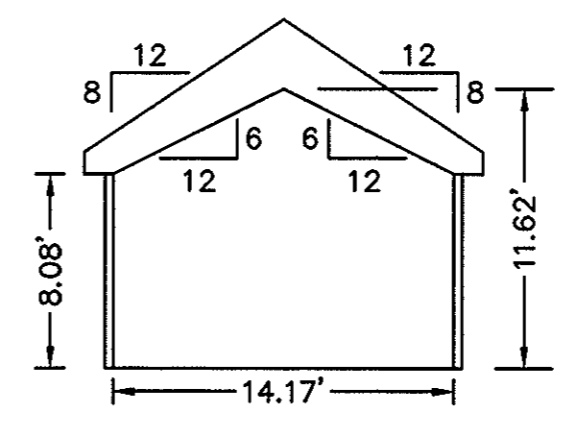
**BUILDING 2-2 & 2-4 - ABBEY**  
FLOOR PLAN  
W/ ENCLOSED PORCH



**SECTION G-G**  
GARAGE



**SECTION A-A**



**SECTION B-B**  
ENCLOSED PORCH

APPROVED:  
YORK COUNTY BOARD OF SUPERVISORS

BY: Al Maddalena

DATE: 10/30/00

NOTES:  
1. ALL BUILDING DIMENSIONS SHOWN HEREON ARE INTERIOR DIMENSIONS AND ARE IN FEET.

STATE OF VIRGINIA  
COUNTY OF YORK

IN THE CLERK'S OFFICE OF THE CIRCUIT COURT FOR THE COUNTY OF YORK THE 30 DAY OF Oct, 2000, THIS PLAT WAS PRESENTED AND ADMITTED TO RECORD AS THE LAW DIRECTS IN PLAT BOOK 13, PAGE 197.

TESTE: Lynn S. Jenkins  
CLERK

BY: Stacy White D.C.