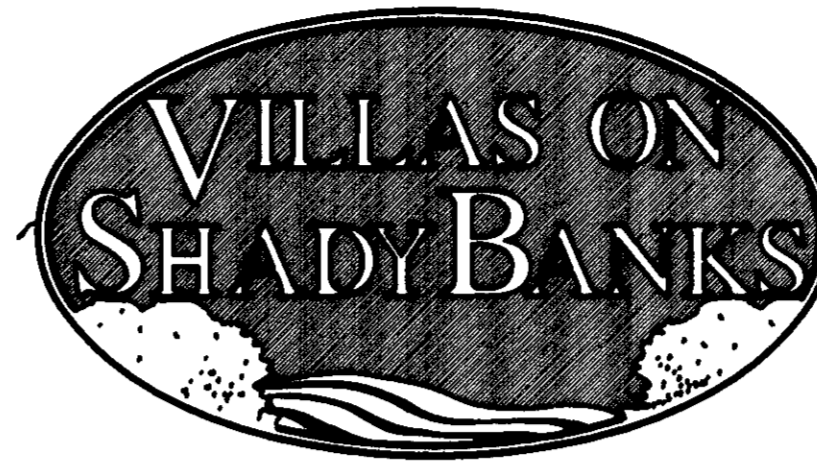
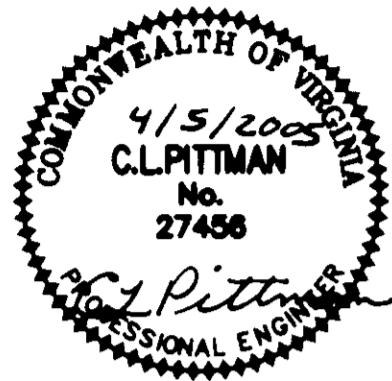


THE UNDERSIGNED CERTIFIES THAT THIS PLAN IS ACCURATE AND COMPLIES WITH THE PROVISIONS OF THE CODE OF VIRGINIA SECTION 55-79.58 (b) AND ALL UNITS DEPICTED HEREON HAVE BEEN SUBSTANTIALLY COMPLETED.

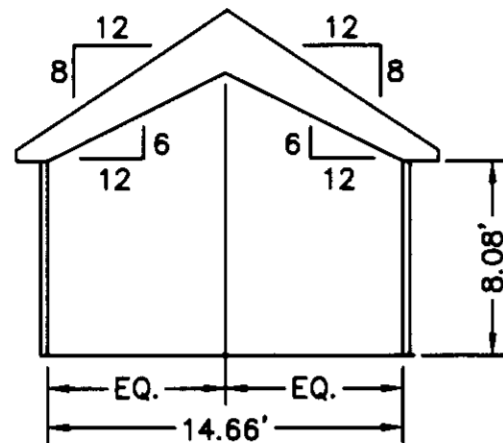
SIGNED: C.L. Pittman DATE: 4/5/2005  
C.L. PITTMAN, P.E.



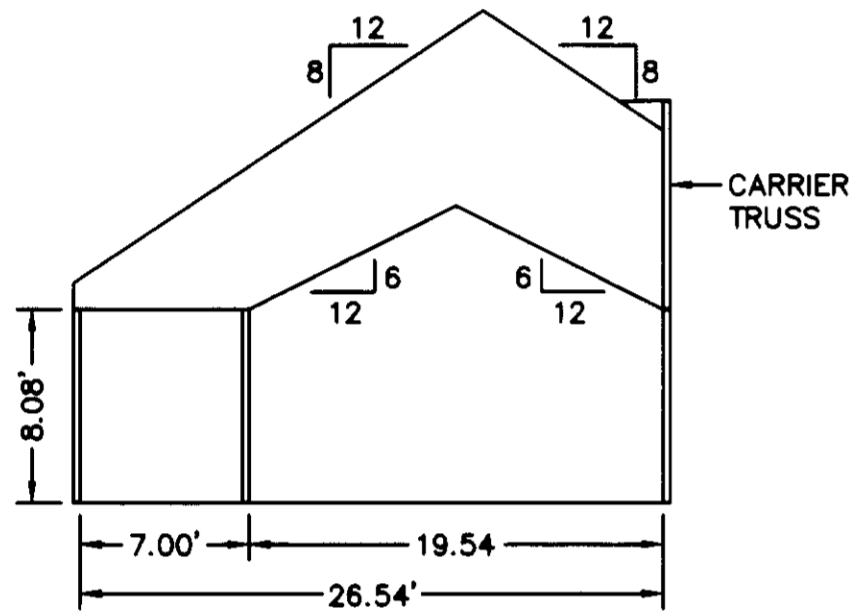
**EXHIBIT "D"**  
PLAT OF  
**VILLAS ON SHADY BANKS**  
**A CONDOMINIUM**  
**PHASE I**

SHEET 4 OF 6  
BETHEL DISTRICT - COUNTY OF YORK, VIRGINIA  
SCALE: 1/8" = 1'-0" FEBRUARY 1, 2005  
0 4 8 16 24 36 FEET  
GRAPHIC SCALE

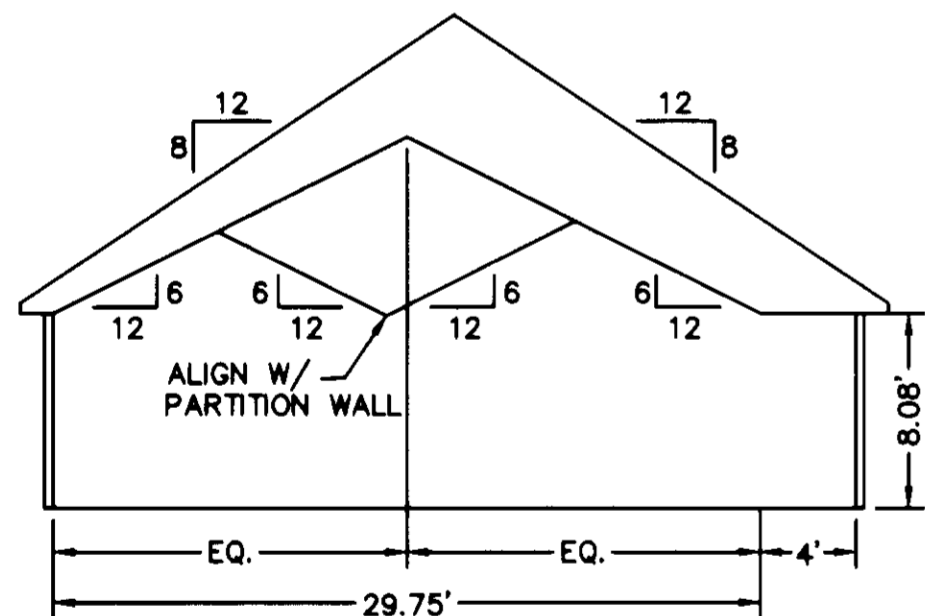
THE SIRINE GROUP, LTD.  
SURVEYORS • ENGINEERS • PLANNERS  
4794 GEORGE WASHINGTON MEMORIAL HIGHWAY  
U.S. ROUTE 17, P.O. BOX 450  
WHITE MARSH, VIRGINIA 23183  
(804)693-9548



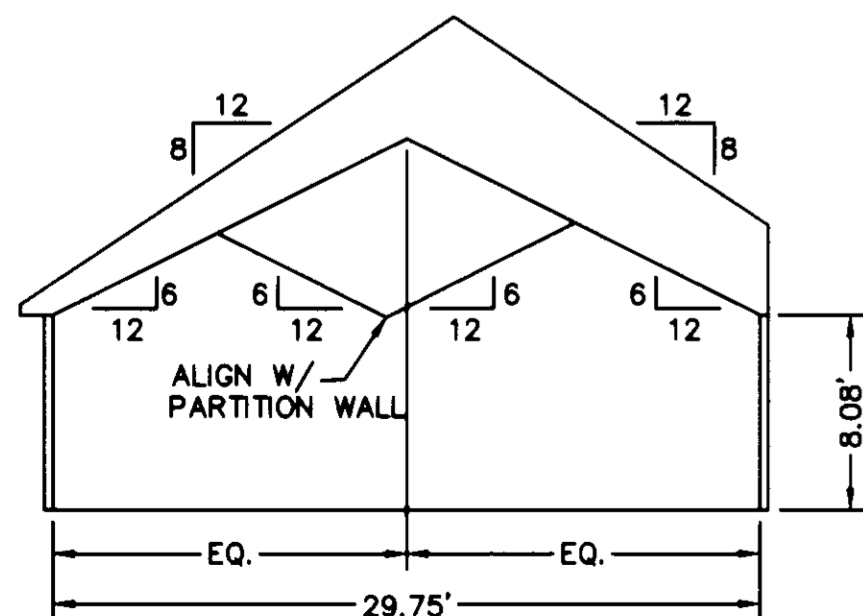
**SECTION D-D**



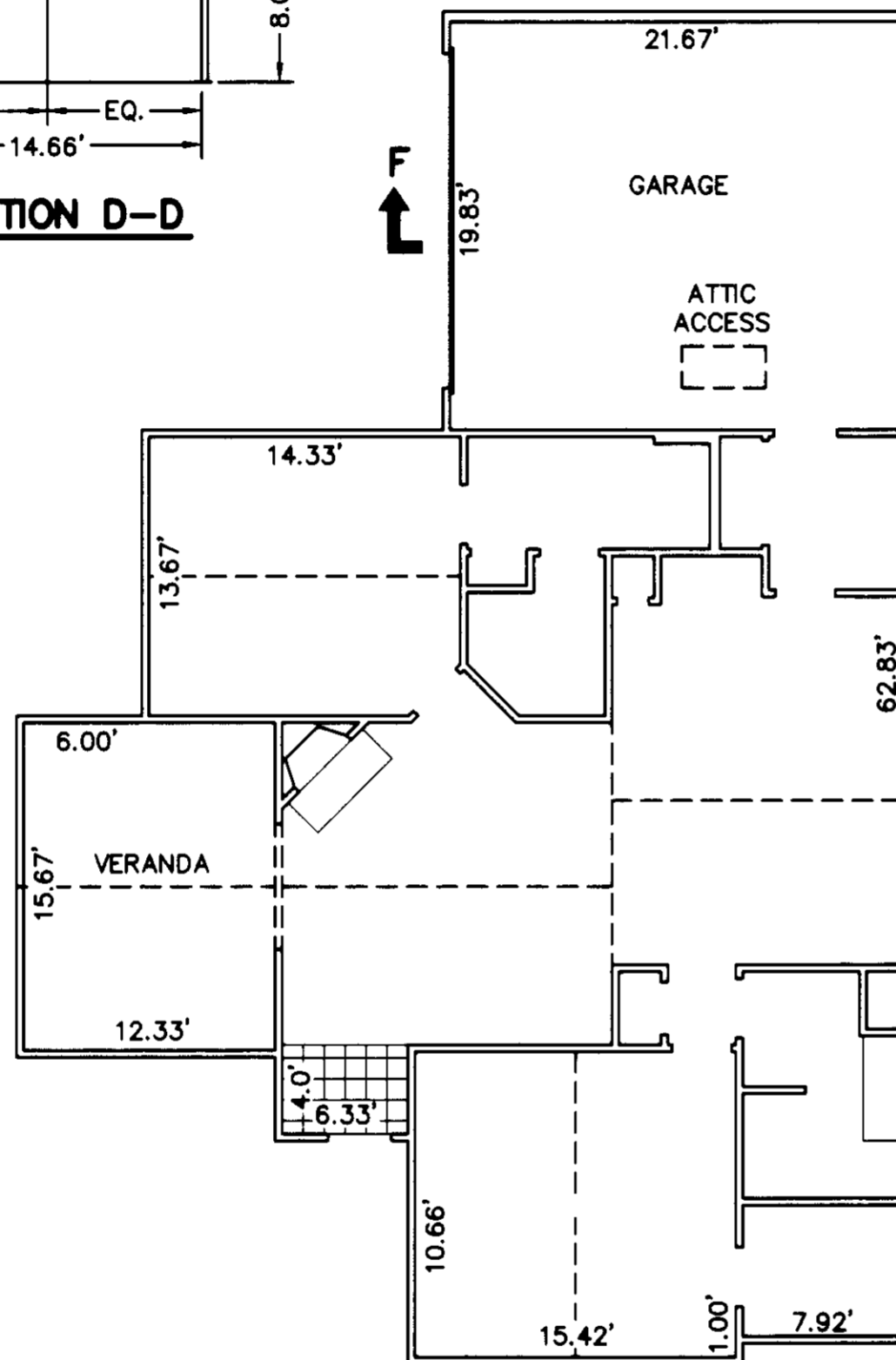
**SECTION A-A**



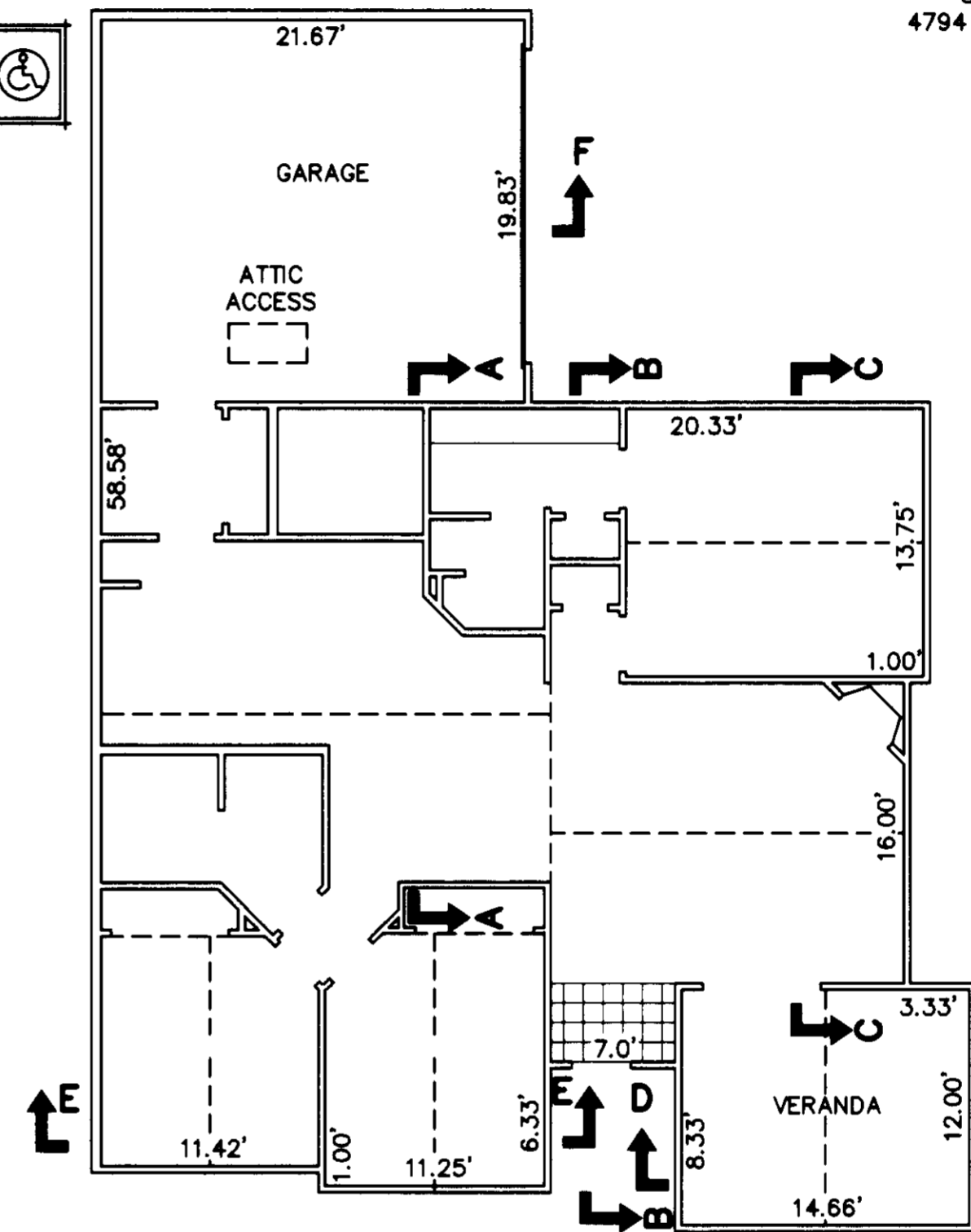
**SECTION B-B**



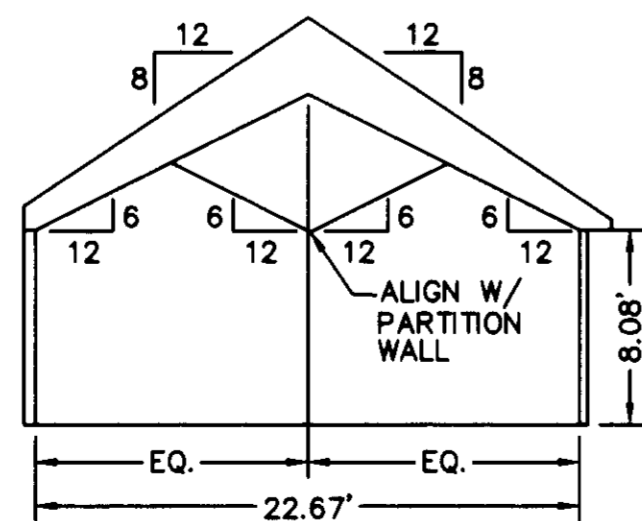
**SECTION C-C**



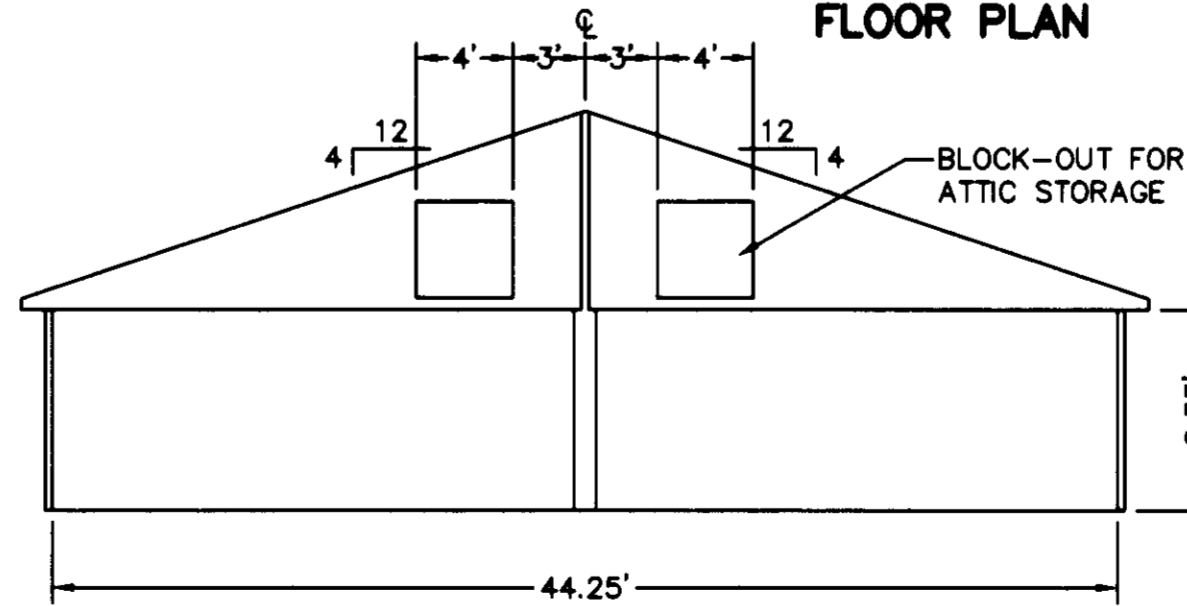
**BUILDING 11-1, 11-3, 12-2, 12-4,  
15-1 & 15-3 ABBEY  
FLOOR PLAN**



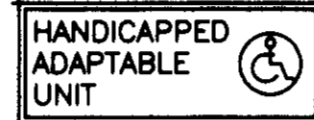
**BUILDING 11-2 & 12-1  
CANTERBURY  
FLOOR PLAN**



**SECTION E-E**



**SECTION F-F**



APPROVED:  
YORK COUNTY BOARD OF SUPERVISORS

BY: Al. Madalena  
PLAT APPROVING AGENT

DATE: 4/13/05

NOTES:  
1. ALL BUILDING DIMENSIONS SHOWN HEREON ARE INTERIOR DIMENSIONS AND ARE IN FEET.

STATE OF VIRGINIA  
COUNTY OF YORK

IN THE CLERK'S OFFICE OF THE CIRCUIT COURT FOR YORK COUNTY-  
POQUOSON, VIRGINIA, THIS 14, DAY OF April, 2005,  
THIS PLAT WAS PRESENTED AND ADMITTED TO RECORD AS THE  
LAW DIRECTS AS INSTRUMENT NUMBER 050007095.

9:13am

TESTE: Lynn S. Jenkins  
CLERK

BY: Christina Norman, D.C.