

THE UNDERSIGNED CERTIFIES THAT THIS PLAN IS ACCURATE AND COMPLIES WITH THE PROVISIONS OF THE CODE OF VIRGINIA SECTION 55-79.58 (b) AND ALL UNITS DEPICTED HEREON HAVE BEEN SUBSTANTIALLY COMPLETED.

SIGNED: C.L. Pittman DATE: 4/5/2005
 C.L. PITTMAN, P.E.

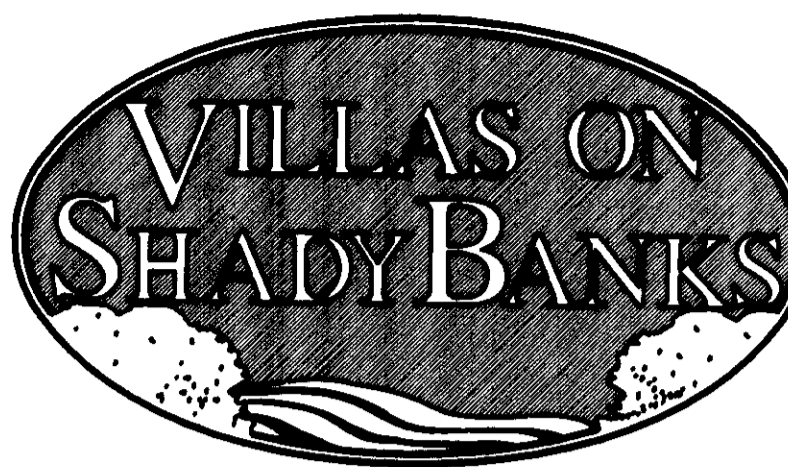
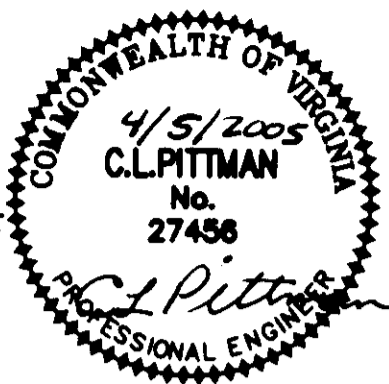
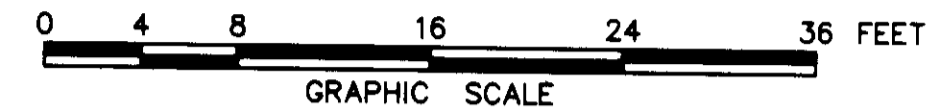
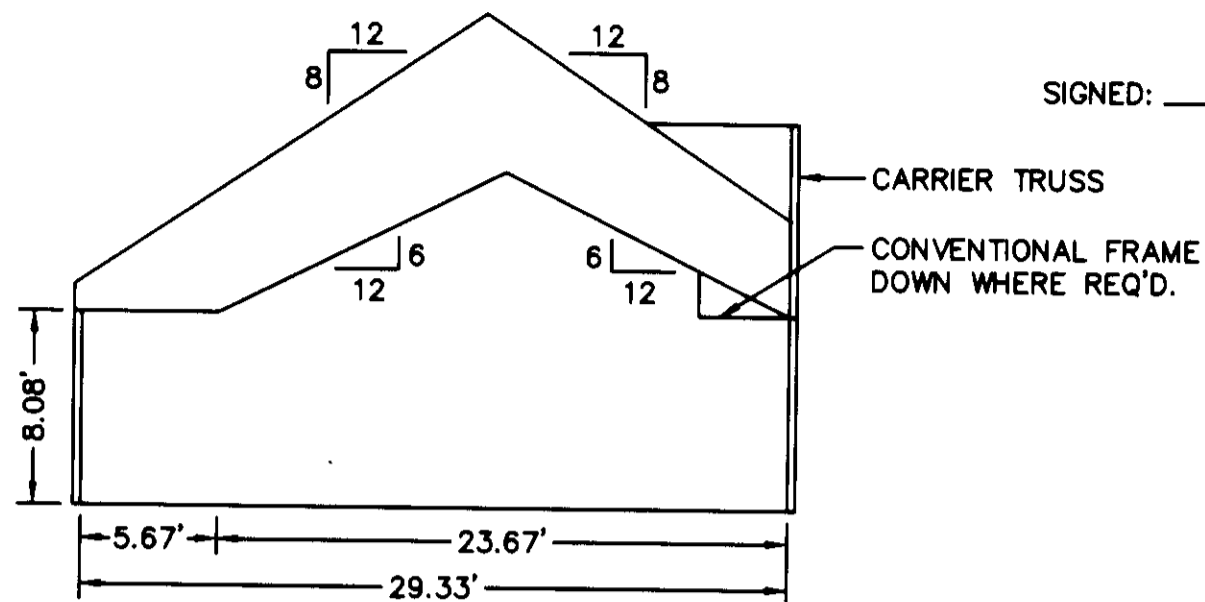


EXHIBIT "D"
 PLAT OF
VILLAS ON SHADY BANKS
A CONDOMINIUM
PHASE I

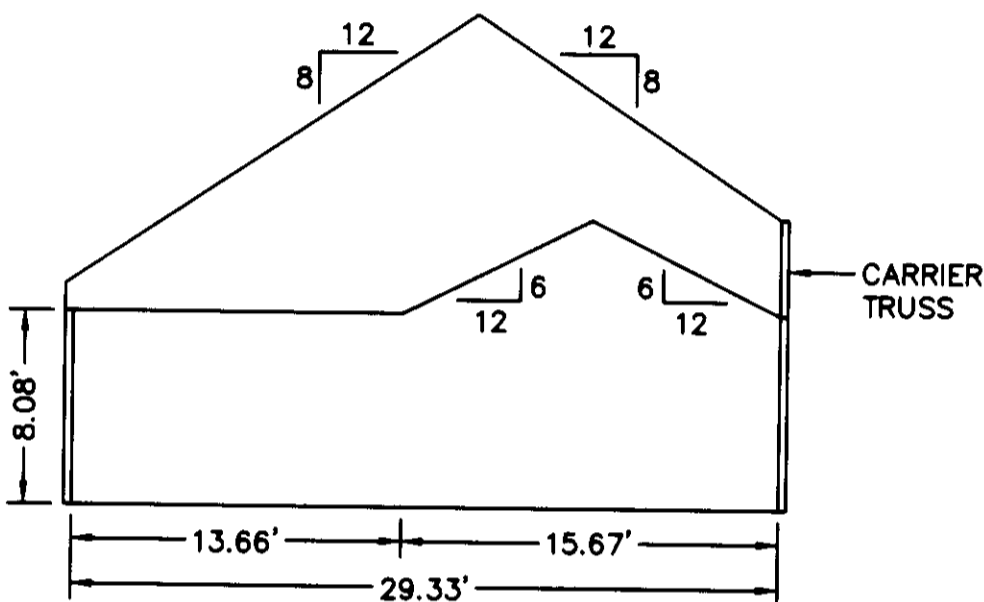
SHEET 5 OF 6
 BETHEL DISTRICT - COUNTY OF YORK, VIRGINIA
 SCALE: 1/8" = 1'-0" FEBRUARY 1, 2005



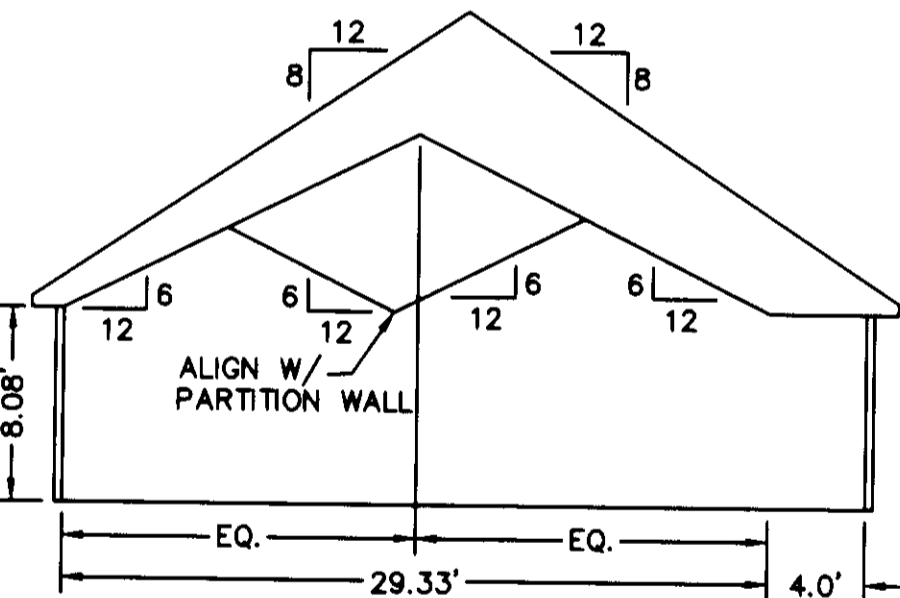
THE SIRINE GROUP, LTD.
 SURVEYORS • ENGINEERS • PLANNERS
 4794 GEORGE WASHINGTON MEMORIAL HIGHWAY
 U.S. ROUTE 17, P.O. BOX 450
 WHITE MARSH, VIRGINIA 23183
 (804)693-9548



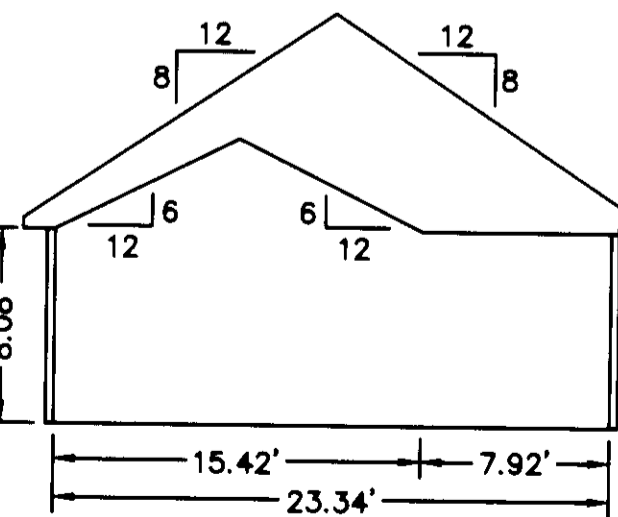
SECTION A-A



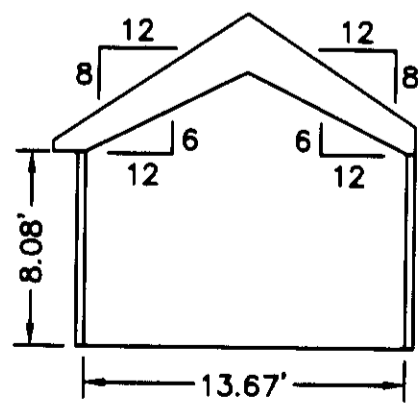
SECTION B-B



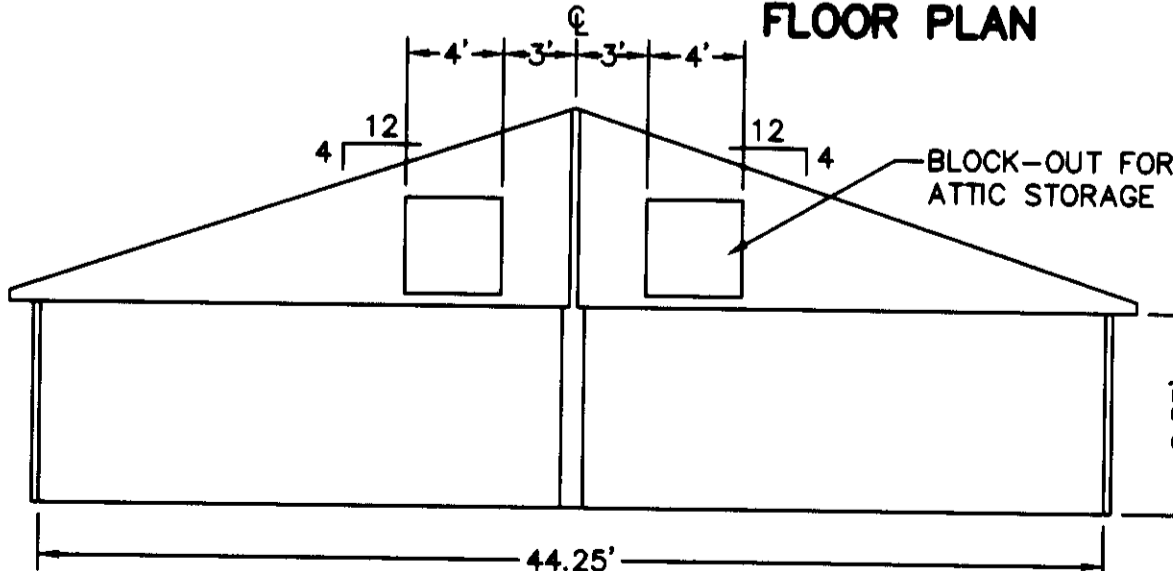
SECTION C-C



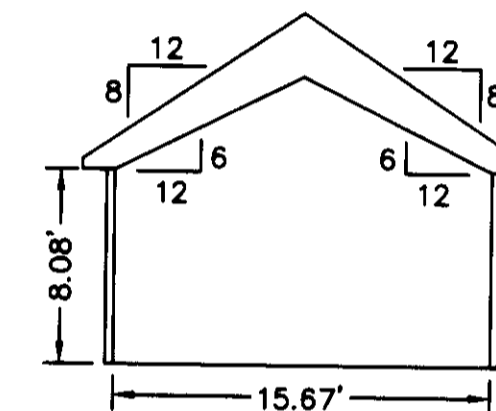
SECTION D-D



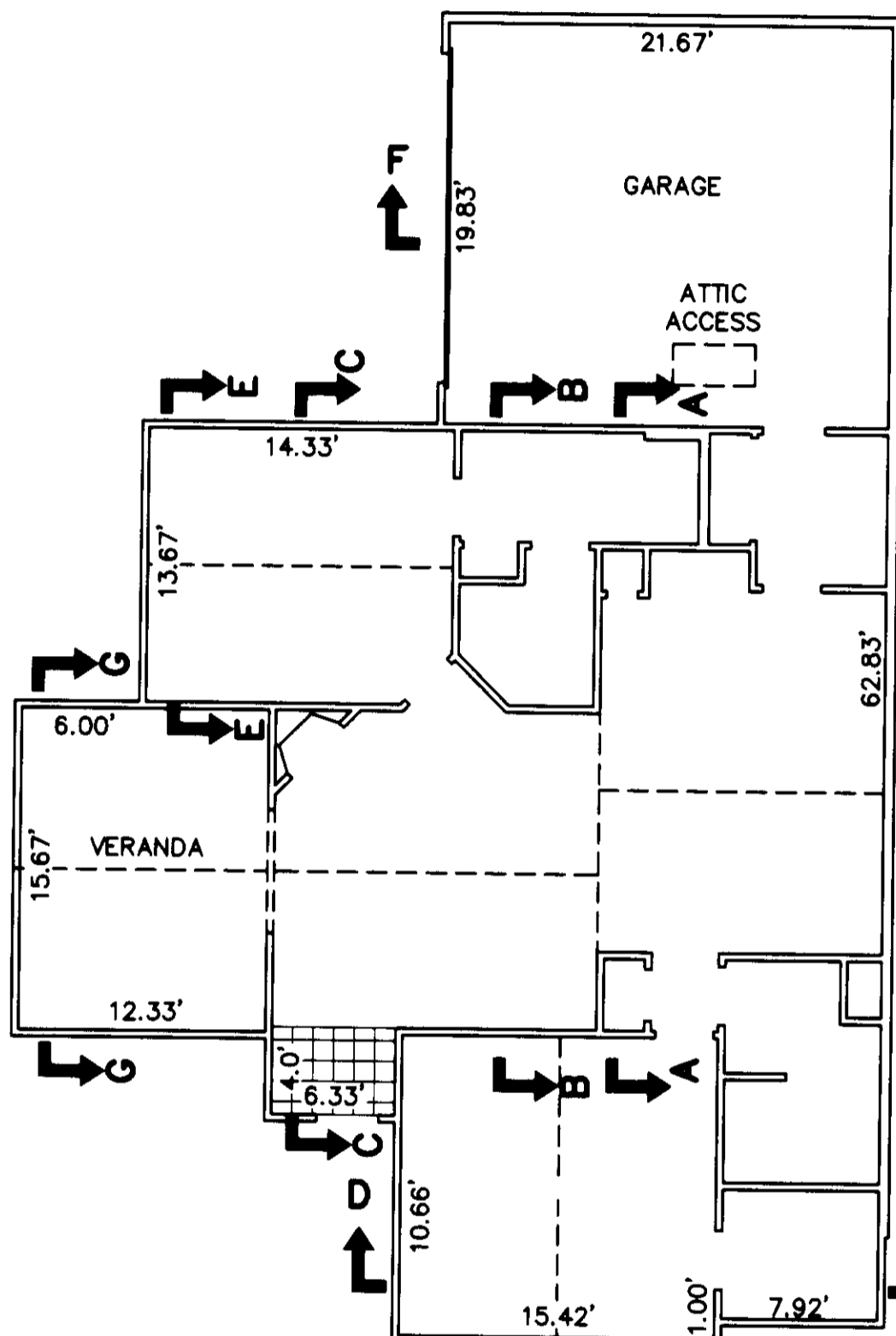
SECTION E-E



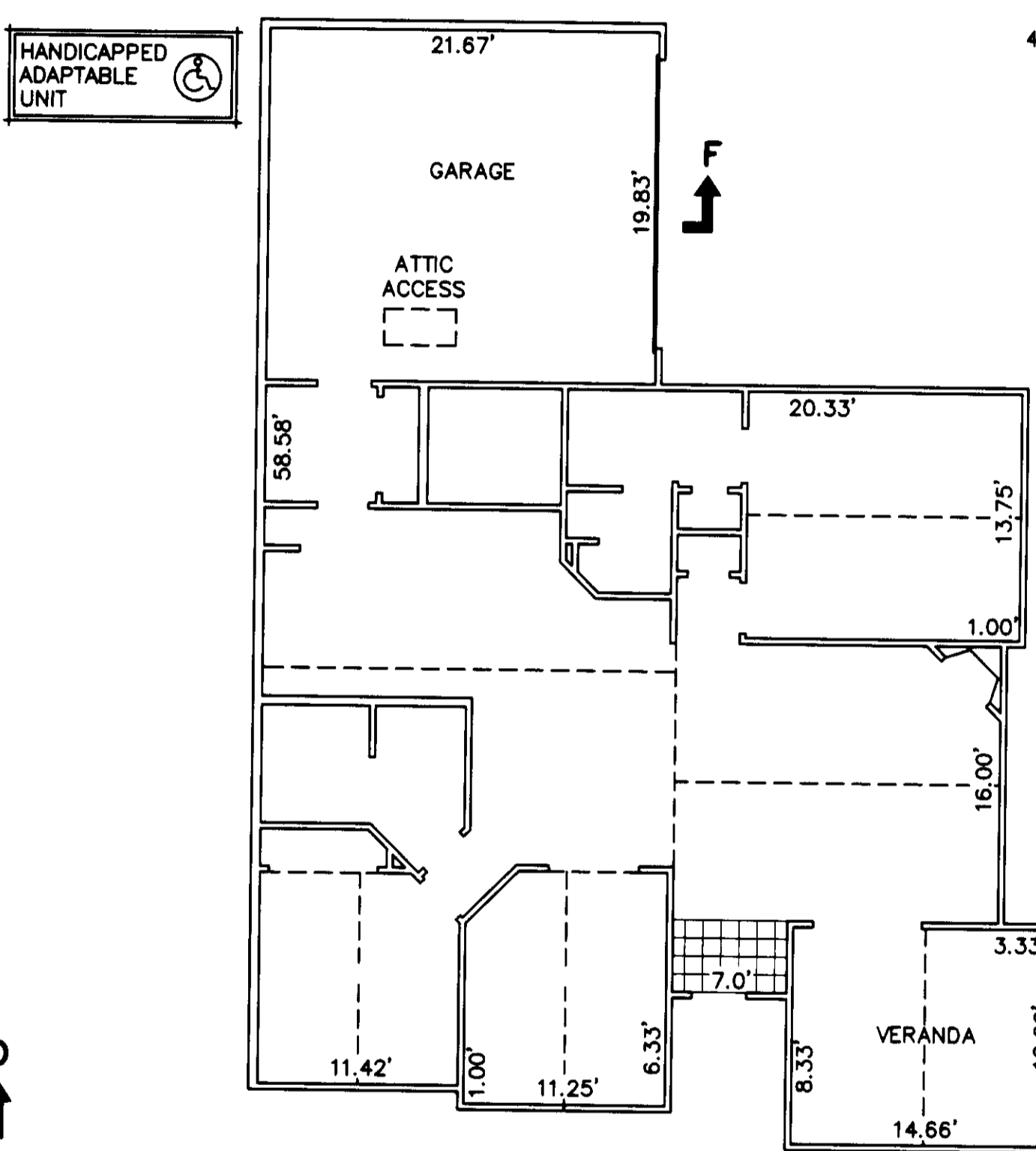
SECTION F-F



SECTION G-G



**BUILDING 11-1, 11-3, 12-2, 12-4,
 15-1 & 15-3 ABBEY**
FLOOR PLAN



**BUILDING 11-4, 12-3,
 15-2 & 15-4 CANTERBURY**
FLOOR PLAN

APPROVED:
 YORK COUNTY BOARD OF SUPERVISORS

BY: Al Maddens
 PLAT APPROVING AGENT
 DATE: 4/13/05

NOTES:
 1. ALL BUILDING DIMENSIONS SHOWN HEREON ARE INTERIOR DIMENSIONS AND ARE IN FEET.

STATE OF VIRGINIA
 COUNTY OF YORK

IN THE CLERK'S OFFICE OF THE CIRCUIT COURT FOR YORK COUNTY-
 POQUOSON, VIRGINIA, THIS 14, DAY OF April, 2005,
 THIS PLAT WAS PRESENTED AND ADMITTED TO RECORD AS THE
 LAW DIRECTS AS INSTRUMENT NUMBER 050001095
9:13AM

TESTE: Lynn S. Jenkins
 CLERK

BY: Christina Norman, D.C.