

THE UNDERSIGNED CERTIFIES THAT THIS PLAN IS ACCURATE AND COMPLIES WITH THE PROVISIONS OF THE CODE OF VIRGINIA SECTION 55-79.58 (b) AND ALL UNITS DEPICTED HEREON HAVE BEEN SUBSTANTIALLY COMPLETED.

SIGNED: C.L. Pittman DATE: 11/16/2005
C.L. PITTMAN, P.E.

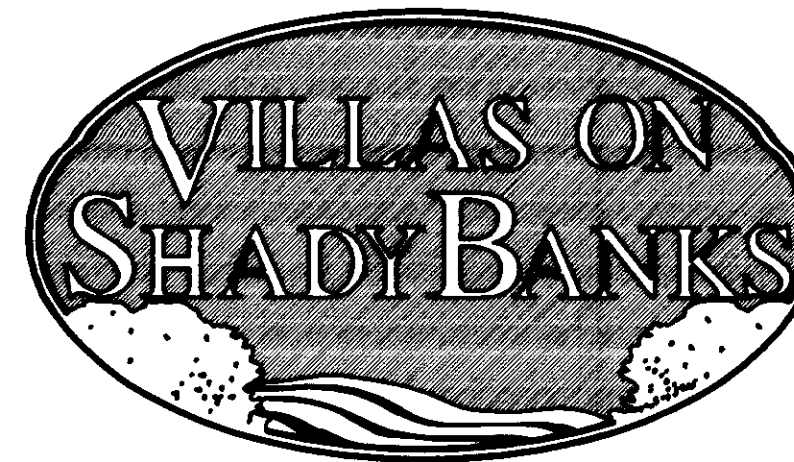
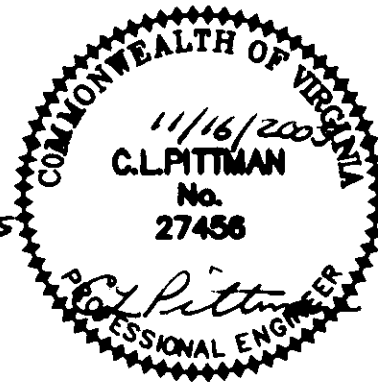


EXHIBIT "D"

PLAT OF
VILLAS ON SHADY BANKS
A CONDOMINIUM
PHASE VI

SHEET 4 OF 5

BETHEL DISTRICT - COUNTY OF YORK, VIRGINIA

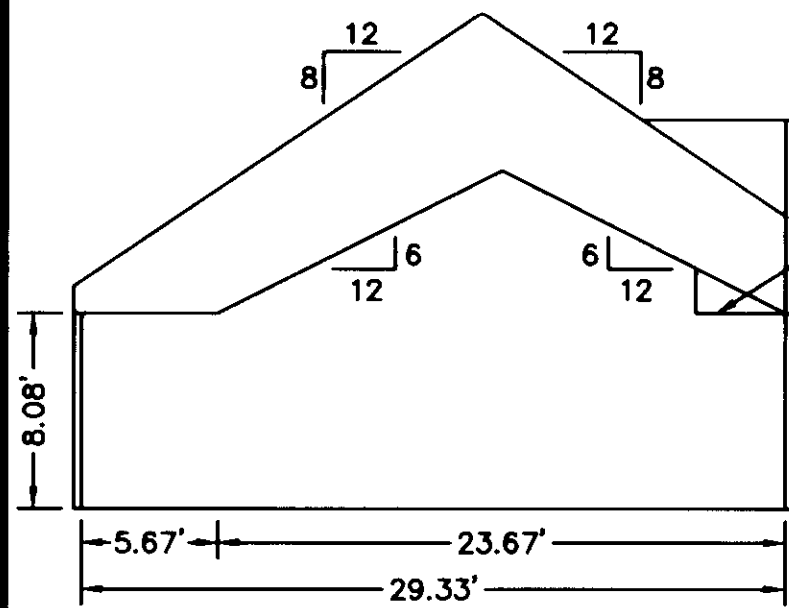
SCALE: 1/8" = 1'-0" AUGUST 23, 2005



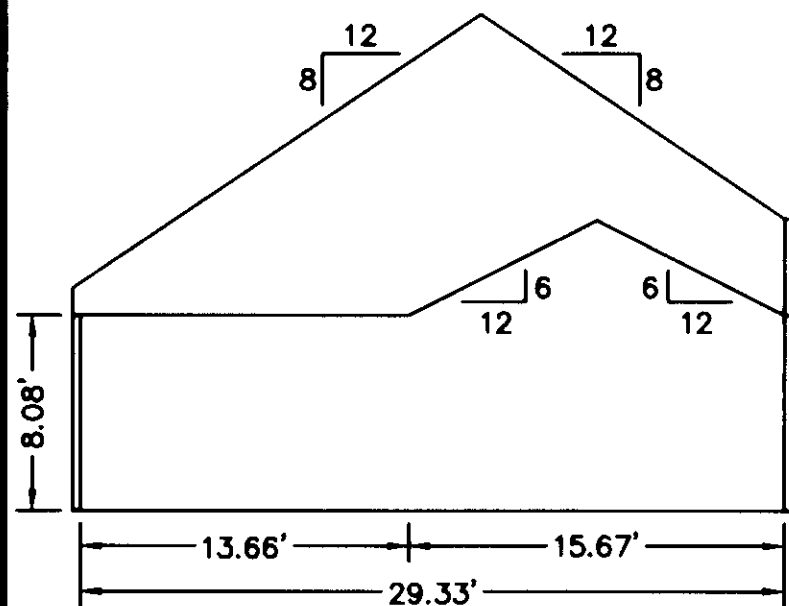
GRAPHIC SCALE

THE SIRINE GROUP, LTD.

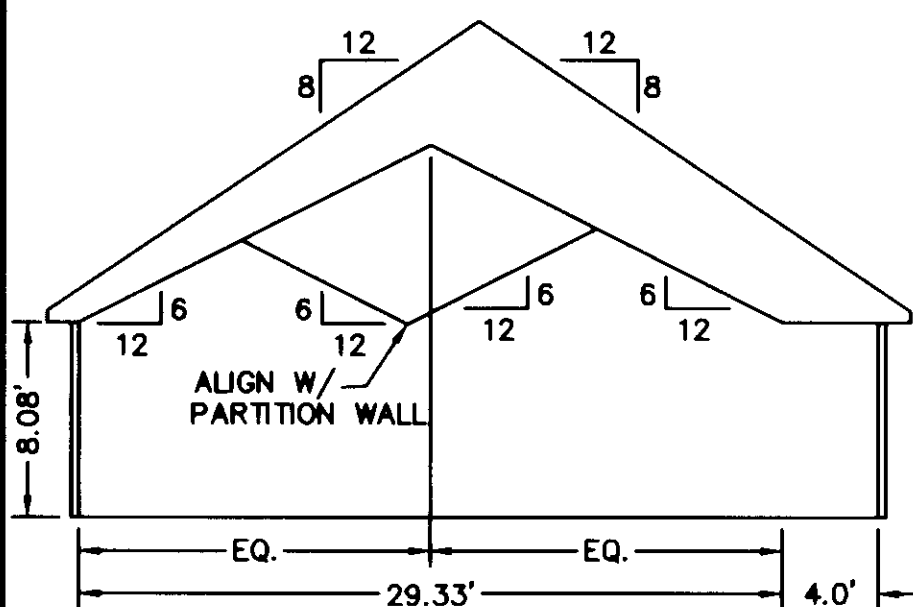
SURVEYORS • ENGINEERS • PLANNERS
4794 GEORGE WASHINGTON MEMORIAL HIGHWAY
P.O. BOX 450, U.S. ROUTE 17
WHITE MARSH, VIRGINIA 23183
(804) 693-9548



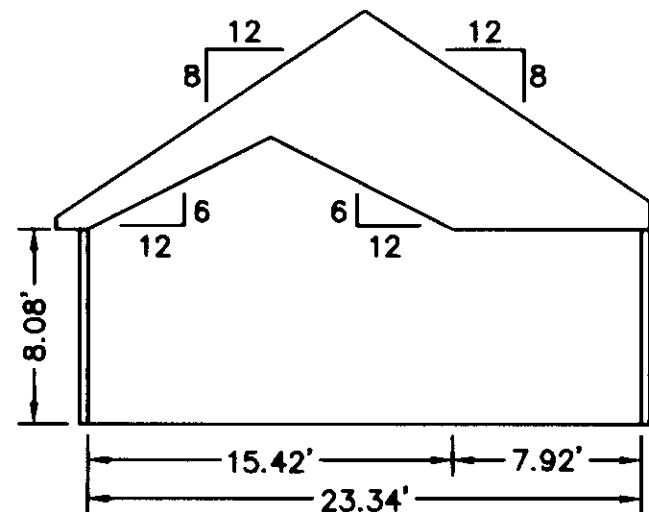
SECTION A-A



SECTION B-B



SECTION C-C

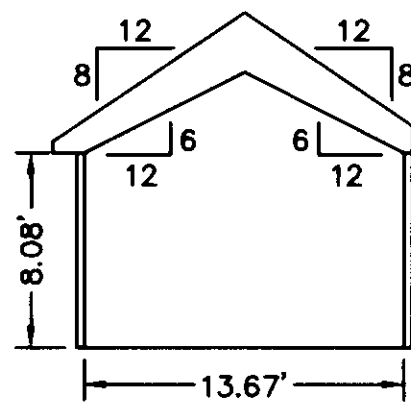


SECTION D-D

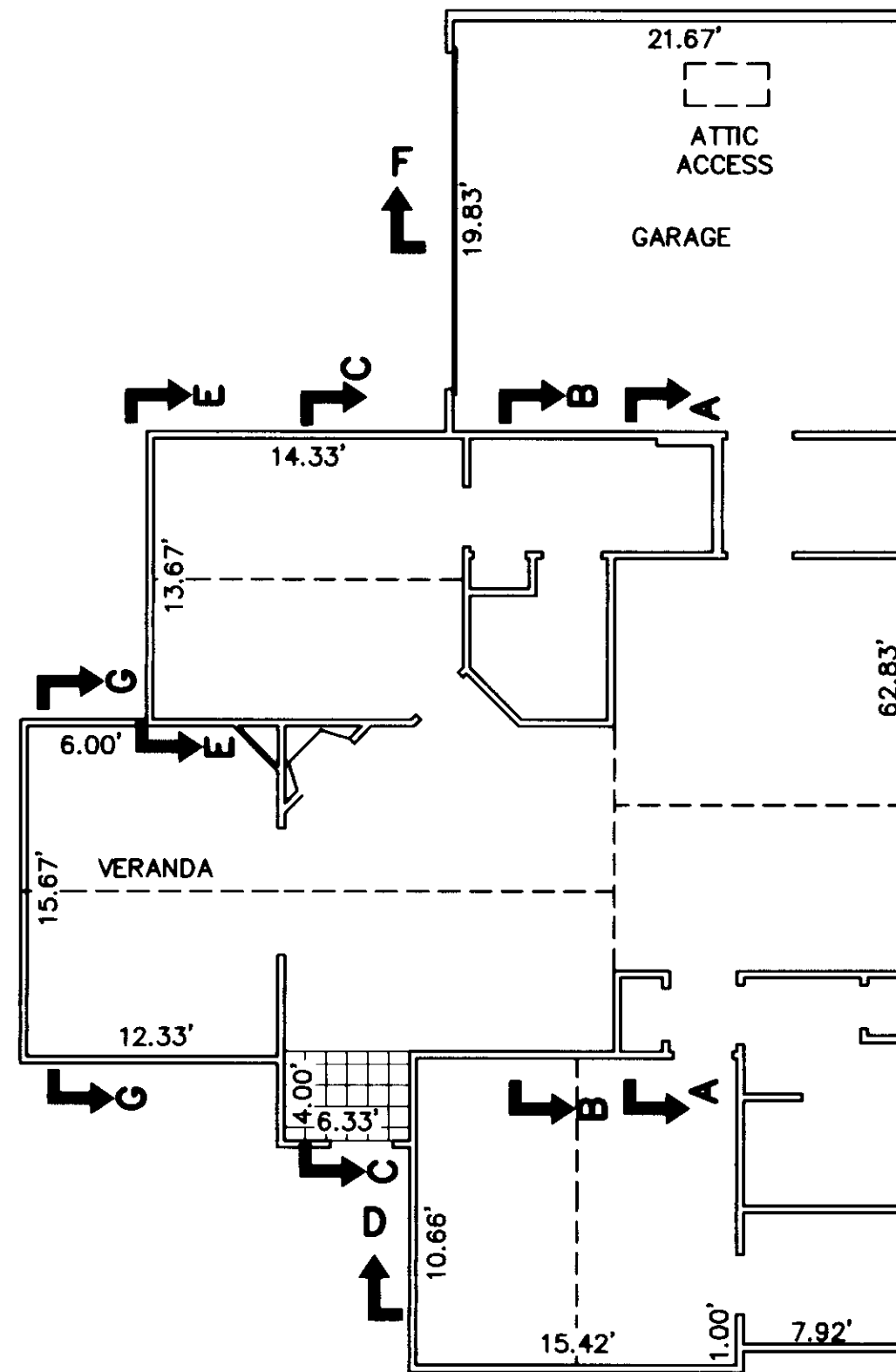
CARRIER TRUSS
CONVENTIONAL FRAME
DOWN WHERE REQ'D.

CARRIER TRUSS

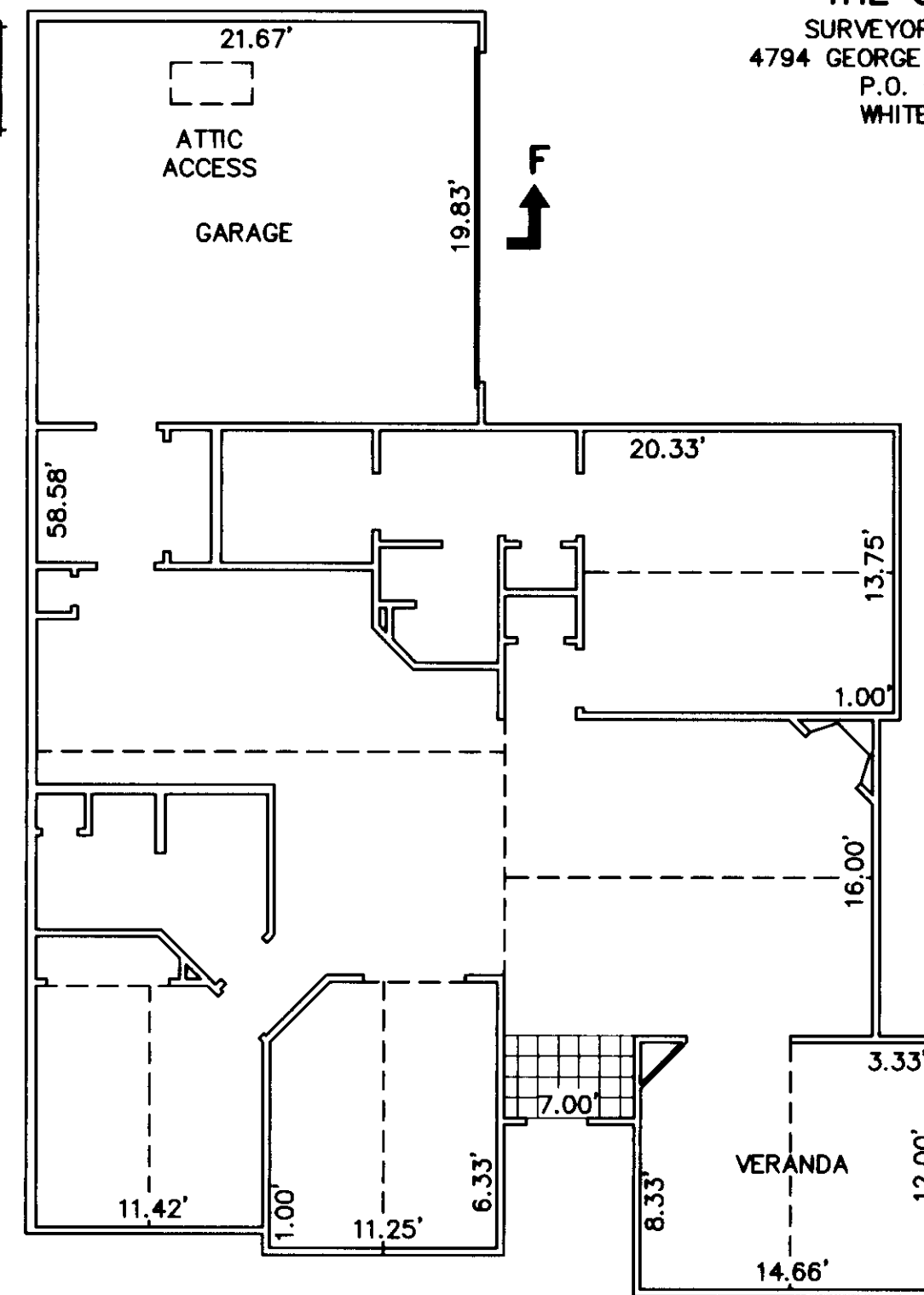
ALIGN W/
PARTITION WALL



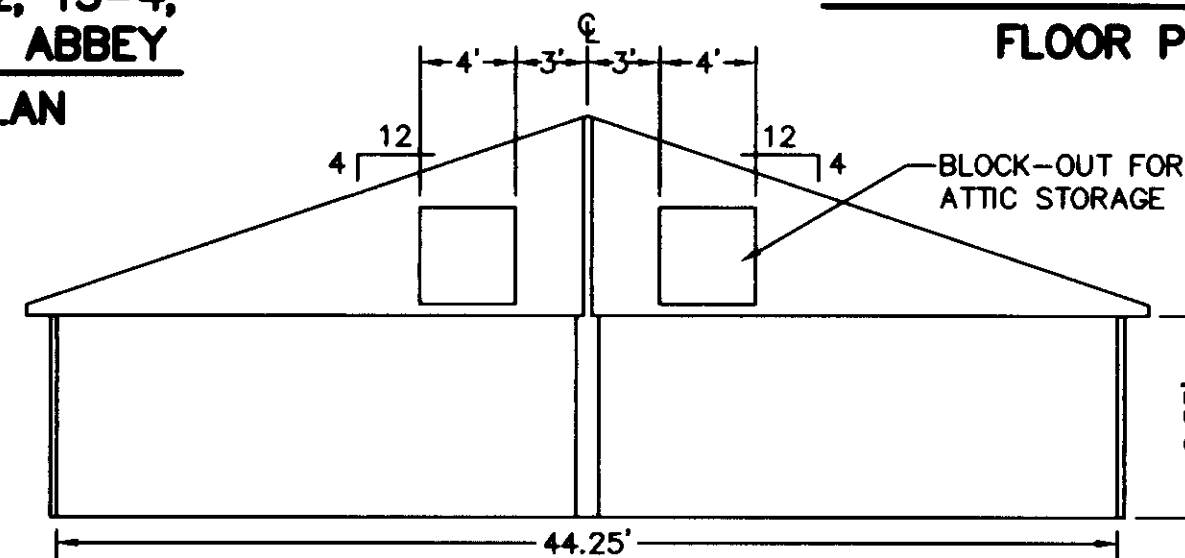
SECTION E-E



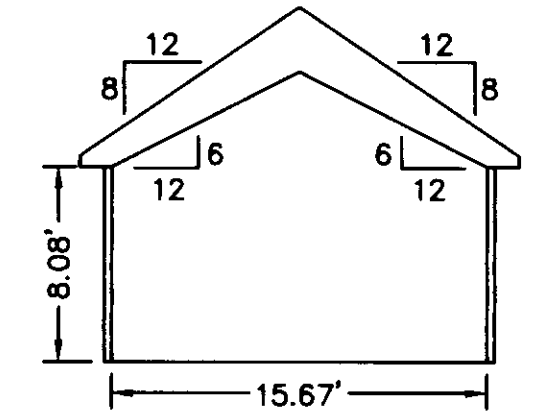
BUILDING 13-2, 13-4,
14-1 & 14-3 ABBEY
FLOOR PLAN



BUILDING 13-3, 14-2,
& 14-4 CANTERBURY
FLOOR PLAN



SECTION F-F



SECTION G-G

APPROVED:
YORK COUNTY BOARD OF SUPERVISORS

BY: Al. Maddalena
PLAT APPROVING AGENT

DATE: 11/29/05

NOTES:

1. ALL BUILDING DIMENSIONS SHOWN HEREON ARE INTERIOR DIMENSIONS AND ARE IN FEET.

STATE OF VIRGINIA
COUNTY OF YORK

IN THE CLERK'S OFFICE OF THE CIRCUIT COURT FOR YORK COUNTY-
POQUOSON, VIRGINIA, THIS 30th DAY OF Nov, 2005,
THIS PLAT WAS PRESENTED AND ADMITTED TO RECORD AS THE
LAW DIRECTS AS INSTRUMENT NUMBER LR050030232.

Lynn S. Jenkins, CLERK

TESTE: _____
CLERK

BY: [Signature]
DEPUTY CLERK