

000000305



YORK COUNTY
APPROVED FOR RECORDATION
BY: *Al Maddalena*
CHIEF OF DEVELOPMENT & COMPLIANCE
DATE: 4/11/11

Filed in the Clerk's Office, Circuit Court,
York Co. - Poquoson, VA
the 1st day of April, 2011
Teste: Lynn S. Mendibour, Clerk 1:41 pm

By: *[Signature]*, D.C.

NEW LOT 17
22,500 S.F.

LOT 17
GPIN # Q11D-3016-0751
TAX PARCEL 19A-01-000E-017
136 LAFAYETTE ROAD
ZONE R20
(D.B. 520, PG. 511)

LOT 18
GPIN # Q11D-3062-0734
TAX PARCEL 19A-01-000E-018
136 LAFAYETTE ROAD
ZONE R20
(D.B. 520, PG. 511)

LOT 19
GPIN # Q11D-3110-0717
TAX PARCEL 19A-01-000E-019
136 LAFAYETTE ROAD
ZONE R20
(D.B. 520, PG. 511)

THE VACATION OF THE PROPERTY LINES
AS SHOWN HEREON IS WITH THE FREE
CONSENT OF THE UNDERSIGNED OWNERS.

William J Ferguson 4/8/11
WILLIAM McLEOD FERGUSON, JR. DATE

Nell Irvine Ferguson 3 Apr 11
NELL IRVINE FERGUSON DATE

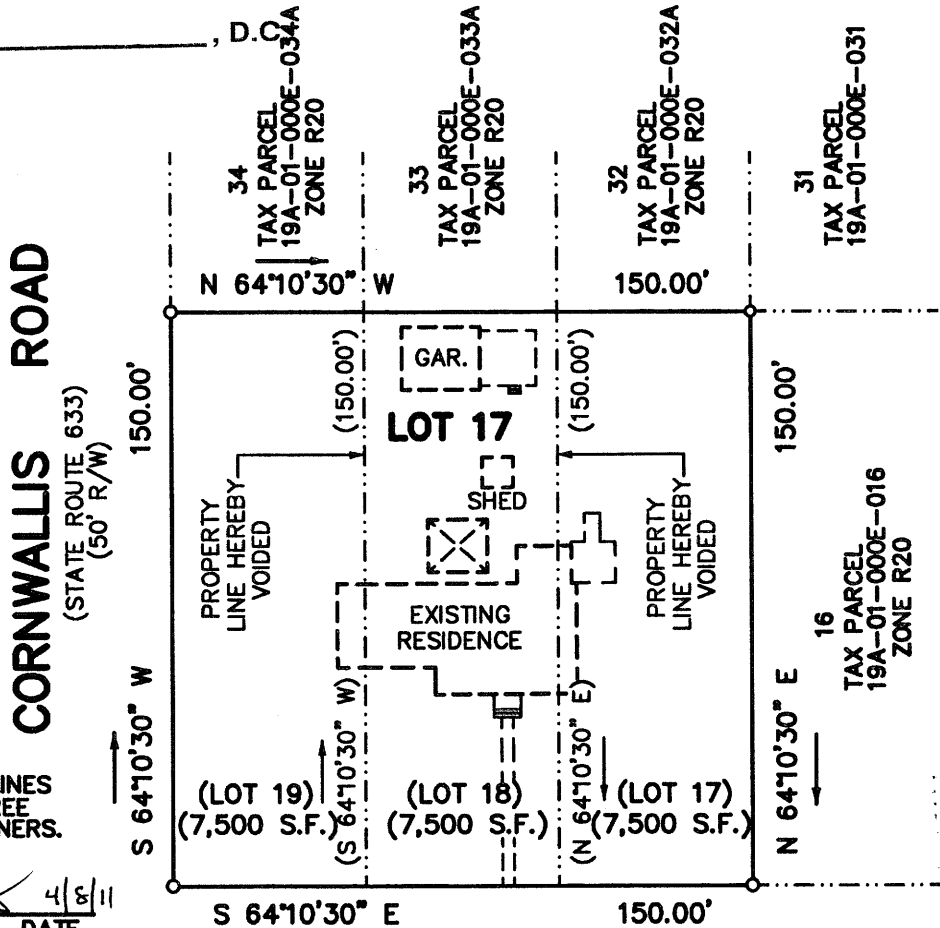
STATE OF VIRGINIA TO WT:
I, Shannel Lynch A NOTARY PUBLIC IN
AND FOR THE COUNTY OF York DO HEREBY
CERTIFY THAT THE ABOVE NAMED PERSONS WHOSE
NAMES ARE SIGNED TO THE FOREGOING WRITING
HAVE ACKNOWLEDGED THE SAME BEFORE ME IN
MY JURISDICTION AFORESAID, GIVEN UNDER MY
HAND THIS 2 DAY OF April, 2011.

Shannel Lynch
NOTARY PUBLIC
REGISTRATION NUMBER: 7167792
MY COMMISSION EXPIRES: 9/30/2012

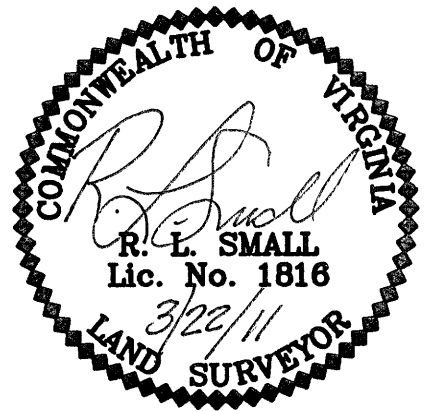
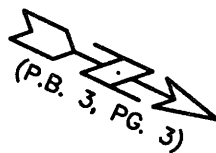
- SYMBOLS :**
- PIPE FOUND
 - IRON ROD SET
 - IRON ROD FOUND
 - CONC. MONUMENT

[Signature]
HEREBY CERTIFY THAT THE
SURVEY REPRESENTED BY THIS
PLAT WAS MADE BY ME ON
THIS DATE AND IS CORRECT
TO THE BEST OF MY KNOW-
LEDGE AND BELIEF THERE ARE
NO ENCROACHMENTS OF BUILD-
INGS UNLESS SHOWN HEREON.

DAVIS & ASSOCIATES, P.C.
SURVEYORS - PLANNERS
YORK COUNTY, VIRGINIA



LAFAYETTE ROAD
(STATE ROUTE 650)
(50' R/W)



NOTE:
PROPERTY SHOWN HEREON IS LOCATED IN
ZONE X AS SHOWN ON FLOOD INSURANCE
RATE MAP COMMUNITY NUMBER 510182,
MAP NUMBER 51199C0205C
EFFECTIVE DATE: 16 JUNE, 2009

JOB LOCATION : # 136 LAFAYETTE ROAD

PLAT OF THE PROPERTY OF:
WILLIAM McLEOD FERGUSON, JR. & NELL IRVINE FERGUSON

PROPERTY LINE VACATION PLAT
LOT 17, LOT 18 & LOT 19
MAP OF
SURRENDER FIELD
BEING A PORTION OF "MOORE HOUSE TRACT" OF
TEMPLE FARM
(PLAT BOOK 3, PAGE 3)
NELSON MAGISTERIAL DISTRICT
YORK COUNTY, VIRGINIA

2011 APR 11 PM 1:41