

PHASE 6 – BUILDING #318
9,000 SQ. FT. (0.2066 AC.)

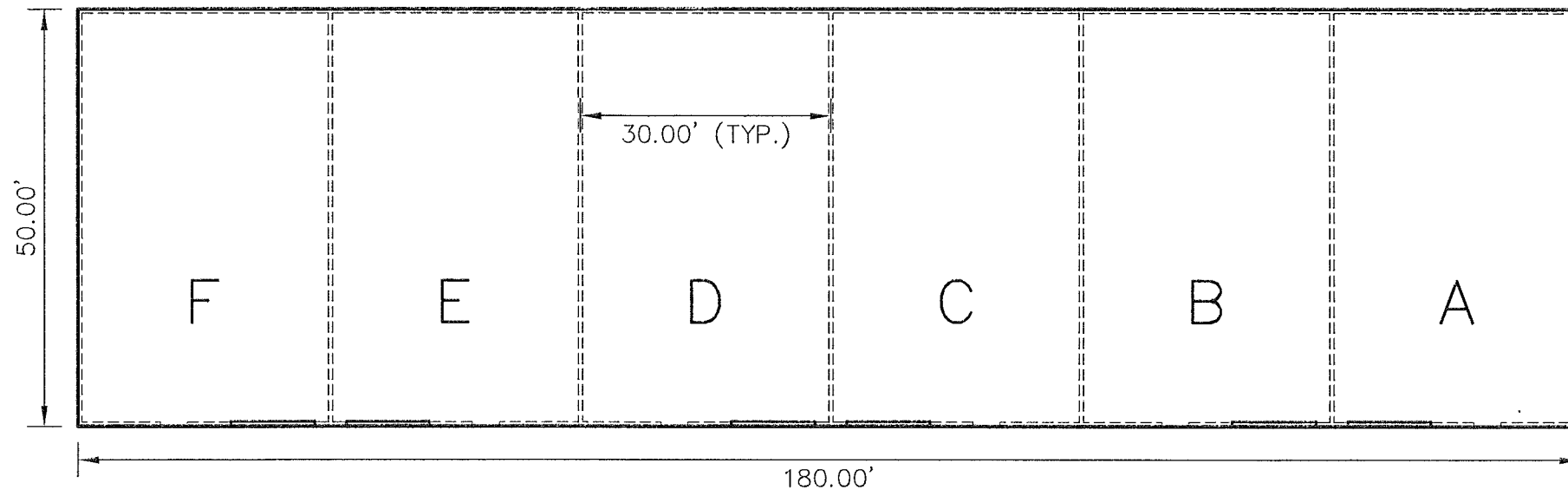
CONDOMINIUM PLAT
PHASE 6 – BUILDING #318
**YORKTOWN
COMMERCE CENTER**
FOR BOCA FUTURES, LLC

NELSON MAGISTERIAL DISTRICT
COUNTY OF YORK, VIRGINIA

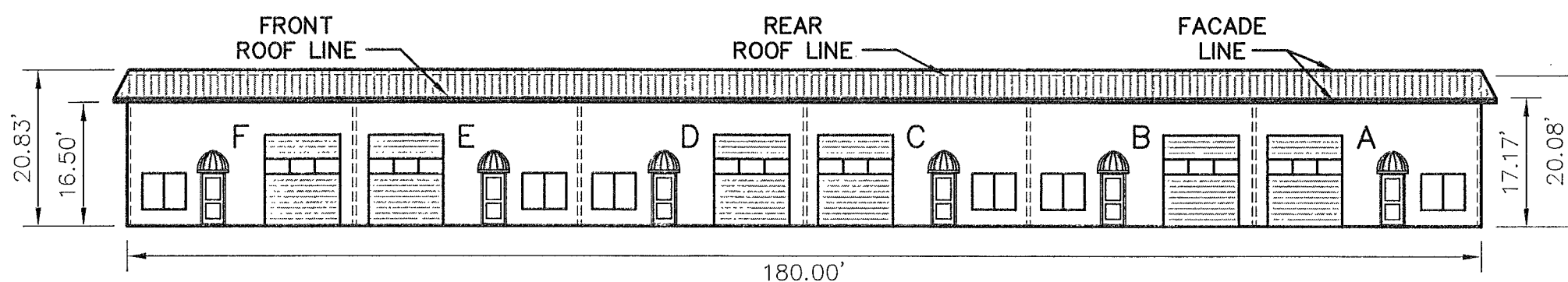
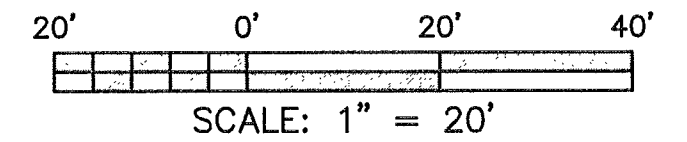
SCALE: 1" = 20' DATE: DECEMBER 29, 2023
SHEET 3 of 3

DAVIS & ASSOCIATES, P.C.

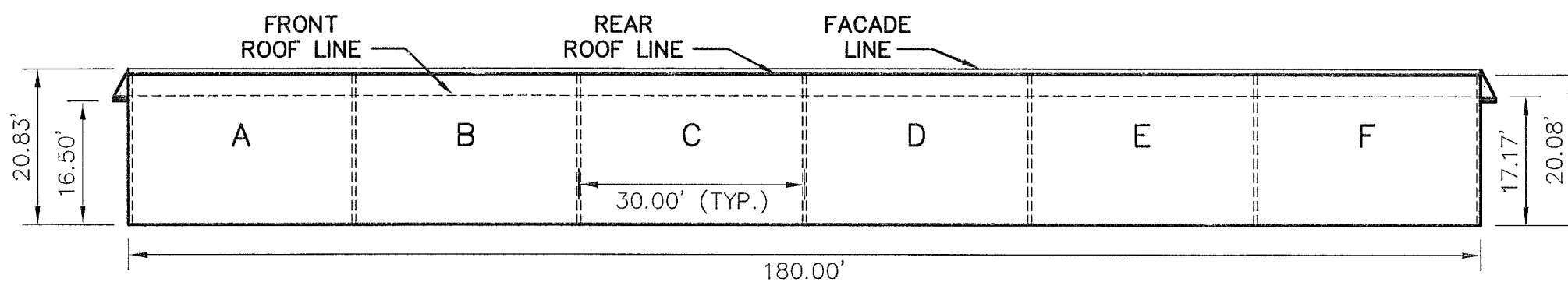
LAND SURVEYORS AND PLANNERS
3630 GEORGE WASHINGTON MEM. HWY. – SUITE "G"
YORKTOWN, VIRGINIA 23693
(757) 867-8583



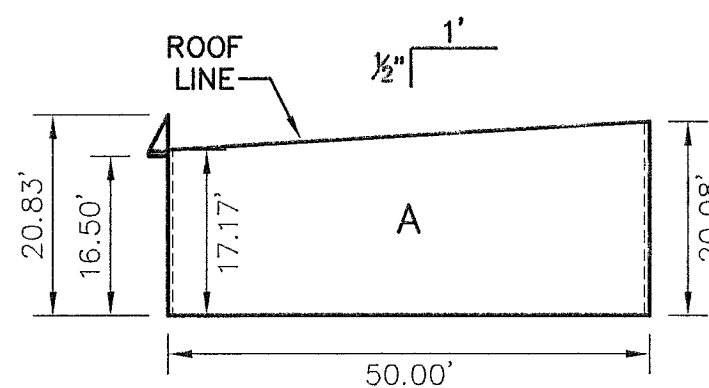
FLOOR PLAN
SCALE: 1" = 20'



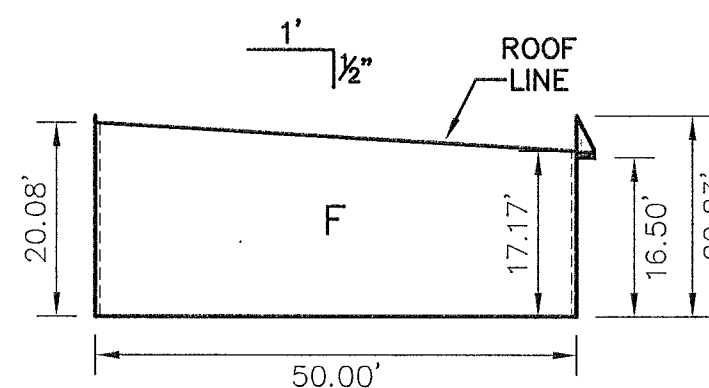
FRONT VIEW
SCALE: 1" = 20'



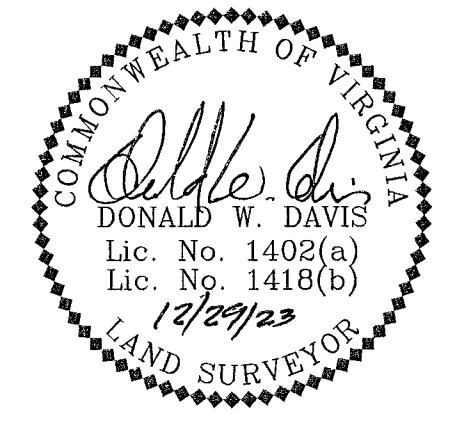
REAR VIEW
SCALE: 1" = 20'



RIGHT SIDE VIEW
SCALE: 1" = 20'



LEFT SIDE VIEW
SCALE: 1" = 20'



APPROVED
YORK COUNTY BOARD OF SUPERVISORS
BY: *Susan Kasal*
PLAT APPROVING AGENT
DATE: JANUARY 23, 2024

STATE OF VIRGINIA
COUNTY OF YORK
IN THE CLERKS OFFICE OF THE CIRCUIT COURT FOR
THE COUNTY OF YORK-POQUOSON THE 25 DAY
OF January 2024 THIS PLAT WAS
PRESENTED AND ADMITTED TO RECORD AS THE LAW
DIRECTS AS INSTRUMENT NO. 240001160
KIRSTEN N. NELSON, CLERK
TEST: _____
CLERK
BY: *Heidi McKeary DE*