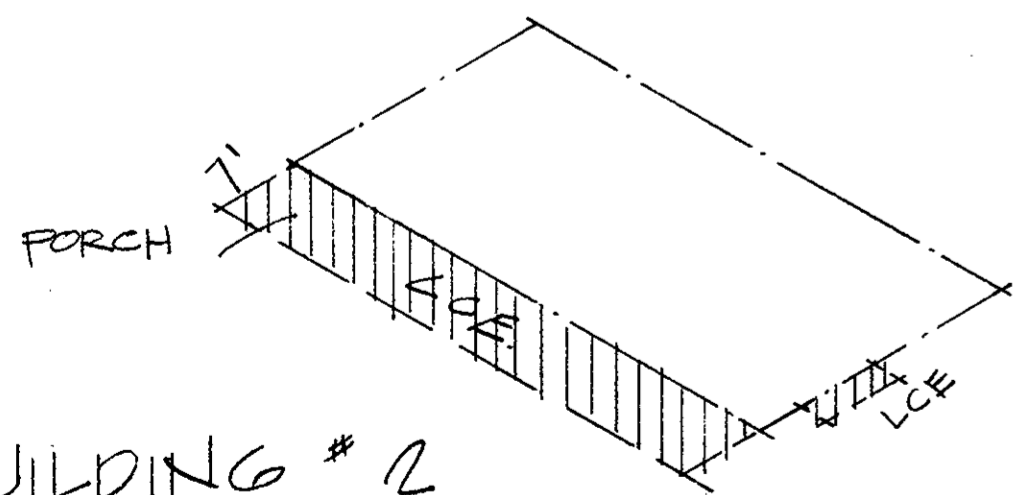


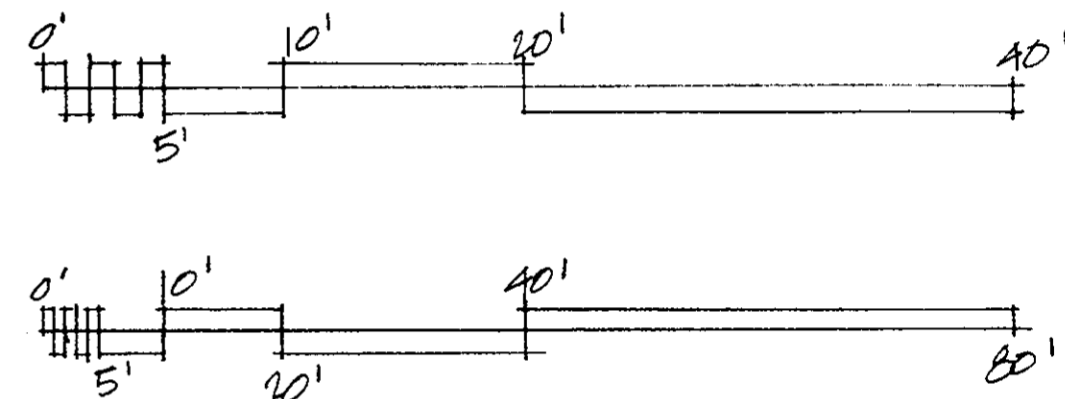
MODEL "D"



THIS PLAT IS EXHIBIT _____ OF THE
DECLARATION DATED _____
AND RECORDED IN DEED BOOK _____
AT PAGE _____

AMERICAN PLAZA
A CONDOMINIUM
2150 GEORGE WASHINGTON HIGHWAY
YORK COUNTY VIRGINIA

BEING "Lot 3-B" OF PLAT OF SURVEY
RECORDED IN THE CLERK'S LAND
RECORDS OF YORK COUNTY, VIRGINIA
PLAT BOOK 9, PAGE 241



THESE PLANS OF "AMERICAN PLAZA A CONDOMINIUM"
ARE HERE BY CERTIFIED AS TO THEIR
ACCURACY AND COMPLIANCE WITH THE
PROVISIONS OF SECTION 55.79.58(B)
OF THE CODE OF VIRGINIA OF 1950,
AND I CERTIFY THAT ALL UNITS OR
PORTIONS THEREOF DEPICTED HEREON
HAVE BEEN SUBSTANTIALLY COMPLETED.

I-KUANG LIANG

Filed in the Clerk's Office, Circuit Court, York Co., Va.
the 15th day of March, 1985

Teste:

Edith M. Elliott, Clerk

[Signature]
P.B. #10 page 98-B

CL CARO
MONROE
LIANG
AIA
ARCHITECTS
P O BOX 6632
10 SAN JOSE DR, NEWPORT NEWS, VA.
804-599-0999 23606

BUILDING "# 2"			
MODEL	FIN FL. ELEVATION	FLOOR AREA	
	1ST	1ST	
D	50.02	1028	