

THE UNDERSIGNED CERTIFIES THAT THIS PLAN IS ACCURATE AND COMPLIES WITH THE PROVISIONS OF THE CODE OF VIRGINIA SECTION 55-79.58 (b) AND ALL UNITS DEPICTED HEREON HAVE BEEN SUBSTANTIALLY COMPLETED.

SIGNED: *C.L. Pittman* DATE: 11/21/2000
C.L. PITTMAN, P.E.

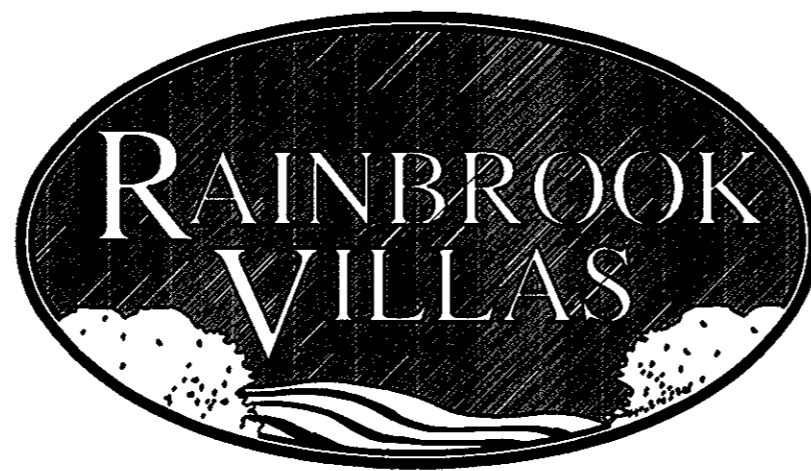
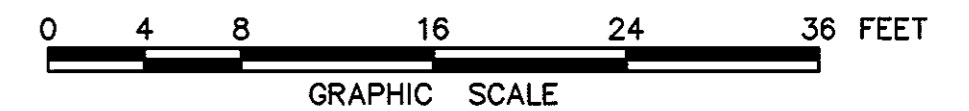
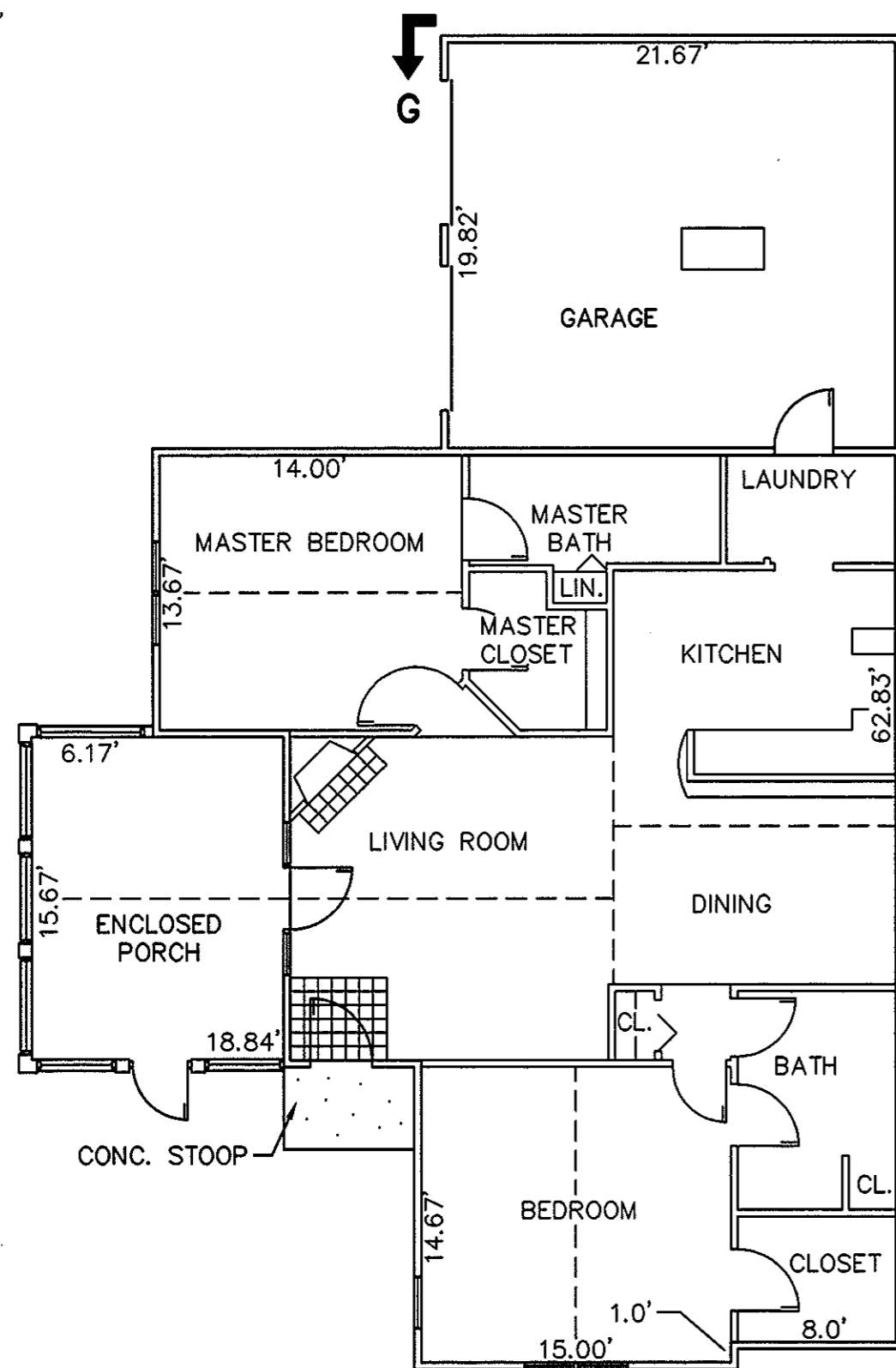


EXHIBIT "D"
PLAT OF
RAINBROOK VILLAS
A CONDOMINIUM
PHASE III
SHEET 2 OF 4

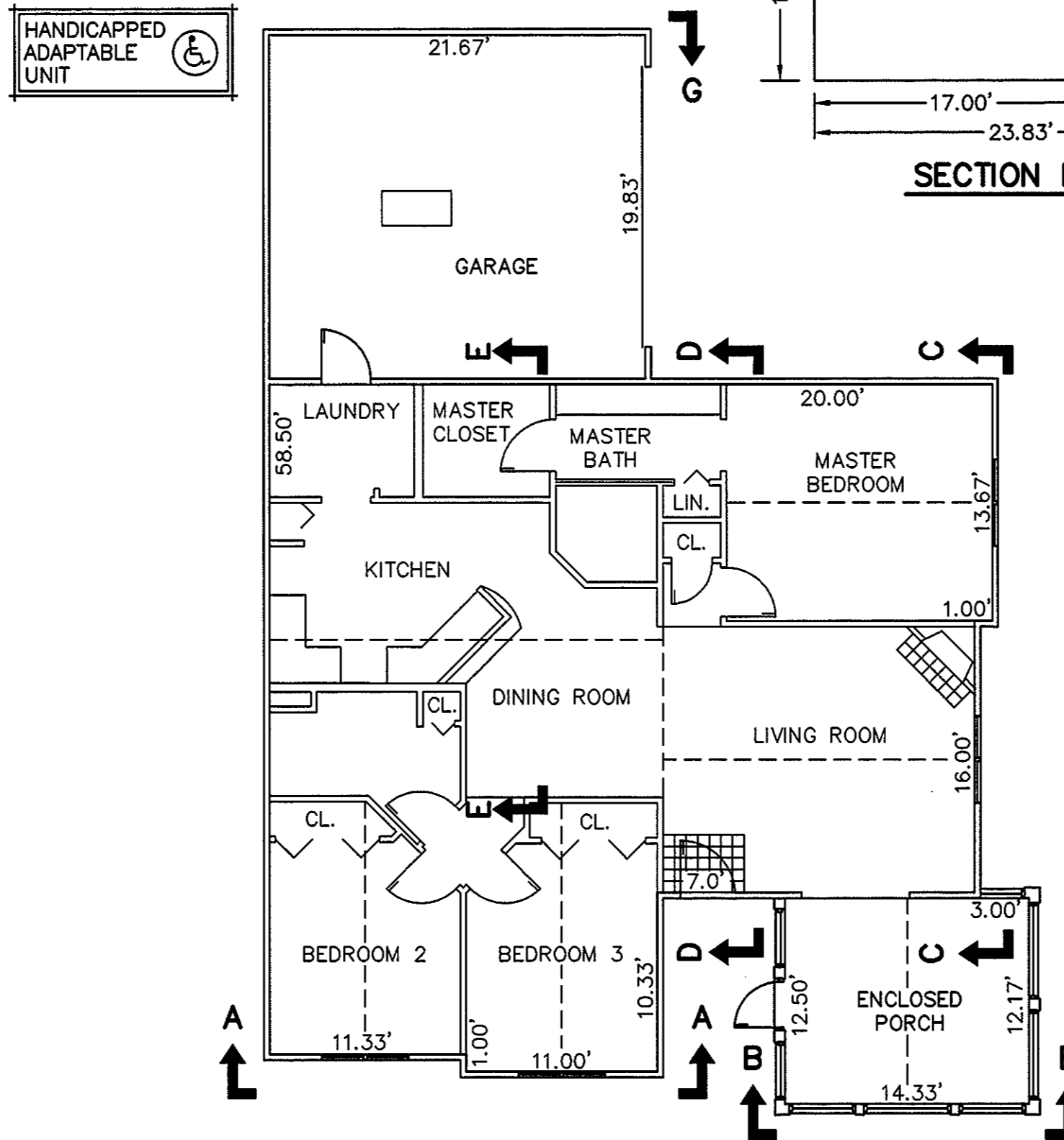
GRAFTON DISTRICT - COUNTY OF YORK, VIRGINIA
SCALE: 1/8" = 1'-0" NOVEMBER 20, 2000



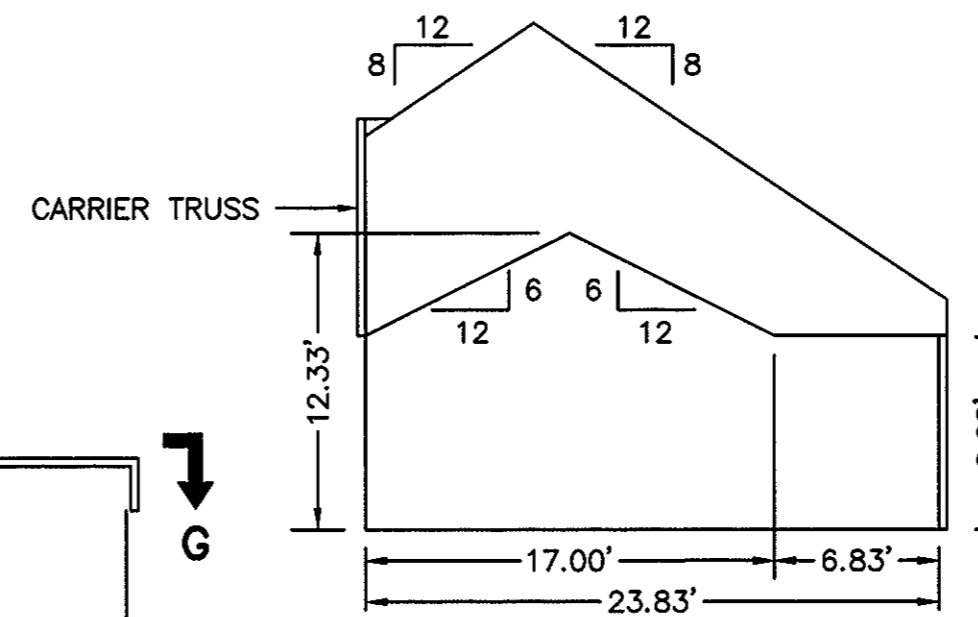
THE SIRINE GROUP, LTD.
SURVEYORS • ENGINEERS • PLANNERS
4794 GEORGE WASHINGTON MEMORIAL HIGHWAY
U.S. ROUTE 17
P.O. BOX 450
WHITE MARSH, VIRGINIA 23183



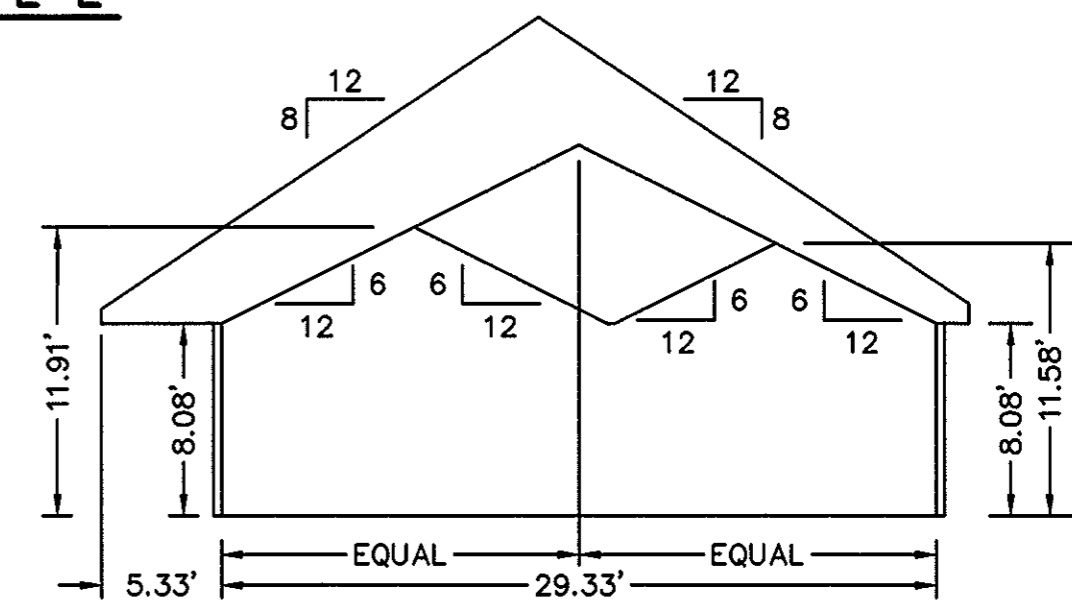
BUILDING 3-1 & 3-3 - ABBEY
FLOOR PLAN
W/ ENCLOSED PORCH



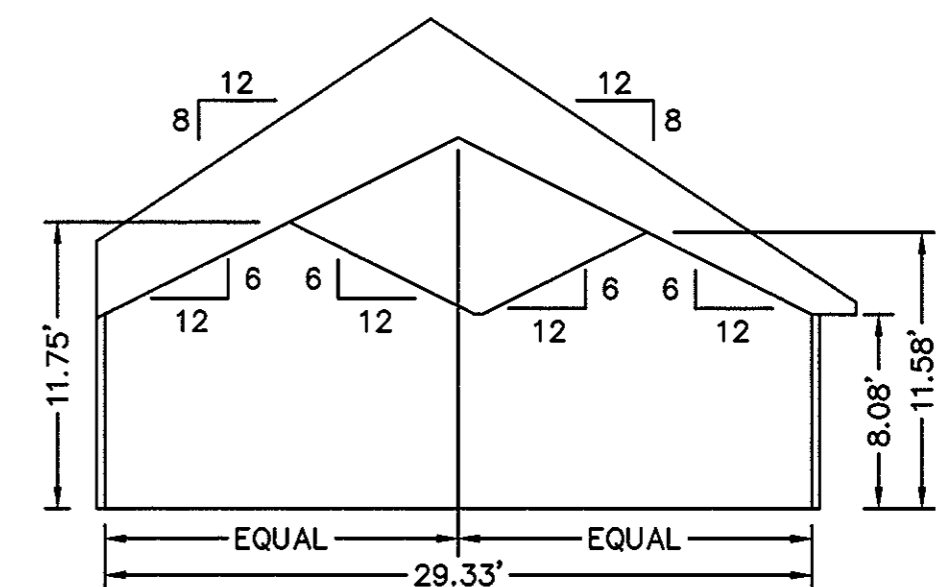
BUILDING 3-2 & 3-4 - CANTERBURY
FLOOR PLAN
W/ ENCLOSED PORCH



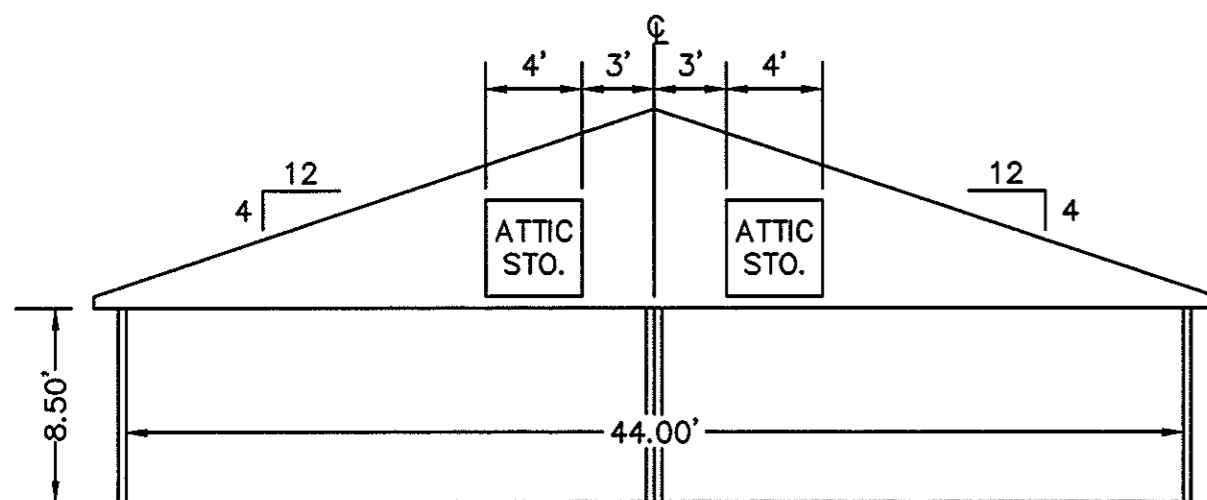
SECTION E-E



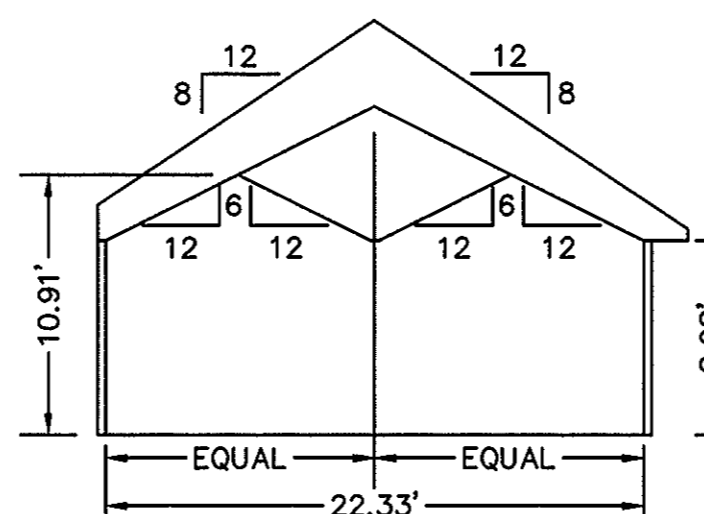
SECTION D-D



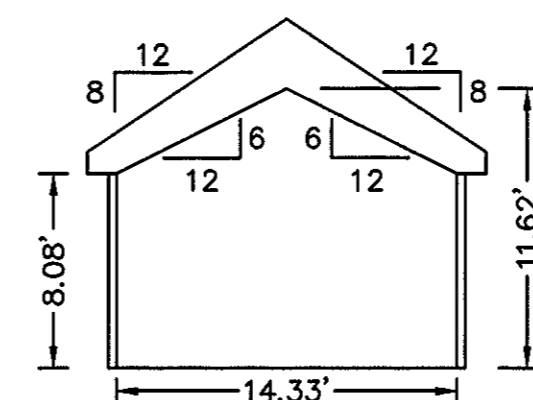
SECTION C-C



SECTION G-G
GARAGE



SECTION A-A



SECTION B-B
ENCLOSED PORCH

APPROVED:
YORK COUNTY BOARD OF SUPERVISORS

BY: *Al Maddalena*

DATE: 11/27/00

NOTES:
1. ALL BUILDING DIMENSIONS SHOWN HEREON ARE INTERIOR DIMENSIONS AND ARE IN FEET.

STATE OF VIRGINIA
COUNTY OF YORK

IN THE CLERK'S OFFICE OF THE CIRCUIT COURT FOR THE COUNTY OF YORK THE 28 DAY OF NOV, 2000, THIS PLAT WAS PRESENTED AND ADMITTED TO RECORD AS THE LAW DIRECTS IN PLAT BOOK 13, PAGE 213.

TESTE: *Lynn S. Jenkins*
CLERK

BY: *Stacy White D.C.*